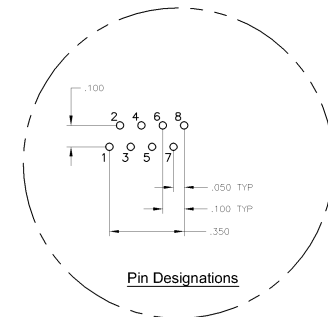
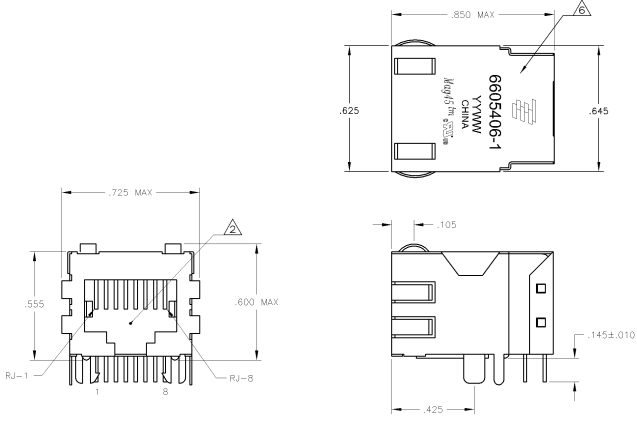
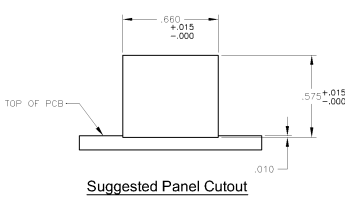


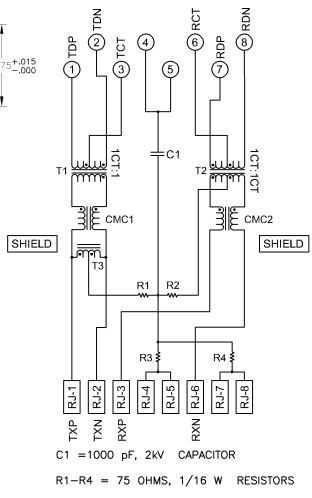
REV	DATE	REVISIONS	BY	CHK	APP
AA	22				
8		REV PER ECO-08-030700			



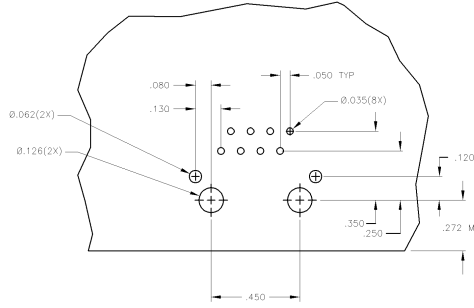
- MATERIALS**
 HOUSING - THERMOPLASTIC PET POLYESTER FLAMMABILITY RATING UL 94V-0
 SHIELD - .010" THICK, C26800 BRASS PREPLATED WITH 30μINCH SEMI-BRIGHT NICKEL. SOLDER TABS POST DIPPED WITH 100μINCH MIN SAC SOLDER.
 MOD JACK CONTACTS - 0.0157 x 0.018" PHOSPHOR BRONZE, 50μINCH MIN OVERALL NICKEL UNDERPLATE, WITH SELECT 50μINCH MIN HARD GOLD FINISH PLATE SOLDER TAILS WITH 100μINCH MIN MATTE TIN AND/OR SAC SOLDER DIP.
- RJ-45 JACK CAVITY CONFORMS TO FCC RULES AND REGULATIONS PART 68, SUB PART F.**
- MAGNETICS**
 -IMPEDANCE: 100 OHMS
 -TURNS RATIO (CHP CABLE): TX = 11, RX = 11
 -OPEN CIRCUIT INDUCTANCE (OCL): 350μH MIN @ 100MHz, 0.1VRMS, 8mADC BIAS FROM 0°C TO 70°C, TX AND RX
 -PERFORMANCE @ 25°C
 INSERTION LOSS (IL): 1.1dB MAX FROM 0.5MHz TO 100MHz
 RETURN LOSS (RL): 18dB MIN FROM 0.5MHz TO 30MHz
 18-20LOG(f/30)dB MIN FROM 30.1MHz TO 60MHz
 12dB MIN FROM 60.1MHz TO 80MHz
 CROSSTALK ATTENUATION: 35dB MIN FROM 0.5MHz TO 40MHz
 33-20LOG(f/50)dB MIN FROM 40.1MHz TO 100MHz
 COMMON MODE REJECTION RATIO (CMRR): 30dB MIN FROM 0.5MHz TO 100MHz
 ISOLATION VOLTAGE: COMPLIES WITH IEEE802.3 2002, PARA 23.5.11, ITEM b.
4. OPERATING TEMPERATURE: FROM 0°C - +70°C
- INDICATED CONNECTIONS ARE FOR NIC CONFIGURATION. THE MAGNETICS ARE ASYMMETRICAL, AND THEREFORE DO NOT SUPPORT AUTO-MDIX/MDIX.
- TYCO ELECTRONICS LOGO, PART NUMBER, DATE CODE, COUNTRY OF ORIGIN AND AGENCY APPROVAL MARKING IN APPROXIMATE LOCATION SHOWN.
7. THE PART IS RECOMMENDED FOR WAVE SOLDERING PROCESS, PREHEAT TEMPERATURE IS 120°C TO 160°C, 120 SECONDS TO 180 SECONDS, PEAK WAVE SOLDERING TEMPERATURE IS 260°C MAX, 10 SECONDS MAX.



414P10 SERIES MAGNETIC CIRCUIT



C1 = 1000 pF, 2kV CAPACITOR
 R1-R4 = 75 OHMS, 1/16 W RESISTORS



Suggested PCB Layout (Component Side)

6605406-1
 PART NUMBER

THIS DRAWING IS A CONTROLLED DOCUMENT		REV	DATE	DESCRIPTION	BY	CHK	APP
DESIGNED	REVISED	1	10/22/00	1X1 MAG4570M, MODULAR JACK, WITH DECOUPLING CAPACITOR, NO LEADS			
DRAWN	REVISED	2	10/22/00	414P10 SCHEMATIC, 414 SERIES CIRCUIT, SHIELDED, WITH DECOUPLING CAPACITOR, NO LEADS			
CHECKED	REVISED	3	10/22/00	100-2100			
APPROVED	REVISED	4	10/22/00	100-2100			
ISSUED	REVISED	5	10/22/00	100-2100			
REVISIONS	REVISED	6	10/22/00	100-2100			
REVISIONS	REVISED	7	10/22/00	100-2100			
REVISIONS	REVISED	8	10/22/00	100-2100			
REVISIONS	REVISED	9	10/22/00	100-2100			
REVISIONS	REVISED	10	10/22/00	100-2100			
REVISIONS	REVISED	11	10/22/00	100-2100			
REVISIONS	REVISED	12	10/22/00	100-2100			
REVISIONS	REVISED	13	10/22/00	100-2100			
REVISIONS	REVISED	14	10/22/00	100-2100			
REVISIONS	REVISED	15	10/22/00	100-2100			
REVISIONS	REVISED	16	10/22/00	100-2100			
REVISIONS	REVISED	17	10/22/00	100-2100			
REVISIONS	REVISED	18	10/22/00	100-2100			
REVISIONS	REVISED	19	10/22/00	100-2100			
REVISIONS	REVISED	20	10/22/00	100-2100			
REVISIONS	REVISED	21	10/22/00	100-2100			
REVISIONS	REVISED	22	10/22/00	100-2100			
REVISIONS	REVISED	23	10/22/00	100-2100			
REVISIONS	REVISED	24	10/22/00	100-2100			
REVISIONS	REVISED	25	10/22/00	100-2100			
REVISIONS	REVISED	26	10/22/00	100-2100			
REVISIONS	REVISED	27	10/22/00	100-2100			
REVISIONS	REVISED	28	10/22/00	100-2100			
REVISIONS	REVISED	29	10/22/00	100-2100			
REVISIONS	REVISED	30	10/22/00	100-2100			
REVISIONS	REVISED	31	10/22/00	100-2100			
REVISIONS	REVISED	32	10/22/00	100-2100			
REVISIONS	REVISED	33	10/22/00	100-2100			
REVISIONS	REVISED	34	10/22/00	100-2100			
REVISIONS	REVISED	35	10/22/00	100-2100			
REVISIONS	REVISED	36	10/22/00	100-2100			
REVISIONS	REVISED	37	10/22/00	100-2100			
REVISIONS	REVISED	38	10/22/00	100-2100			
REVISIONS	REVISED	39	10/22/00	100-2100			
REVISIONS	REVISED	40	10/22/00	100-2100			
REVISIONS	REVISED	41	10/22/00	100-2100			
REVISIONS	REVISED	42	10/22/00	100-2100			
REVISIONS	REVISED	43	10/22/00	100-2100			
REVISIONS	REVISED	44	10/22/00	100-2100			
REVISIONS	REVISED	45	10/22/00	100-2100			
REVISIONS	REVISED	46	10/22/00	100-2100			
REVISIONS	REVISED	47	10/22/00	100-2100			
REVISIONS	REVISED	48	10/22/00	100-2100			
REVISIONS	REVISED	49	10/22/00	100-2100			
REVISIONS	REVISED	50	10/22/00	100-2100			
REVISIONS	REVISED	51	10/22/00	100-2100			
REVISIONS	REVISED	52	10/22/00	100-2100			
REVISIONS	REVISED	53	10/22/00	100-2100			
REVISIONS	REVISED	54	10/22/00	100-2100			
REVISIONS	REVISED	55	10/22/00	100-2100			
REVISIONS	REVISED	56	10/22/00	100-2100			
REVISIONS	REVISED	57	10/22/00	100-2100			
REVISIONS	REVISED	58	10/22/00	100-2100			
REVISIONS	REVISED	59	10/22/00	100-2100			
REVISIONS	REVISED	60	10/22/00	100-2100			
REVISIONS	REVISED	61	10/22/00	100-2100			
REVISIONS	REVISED	62	10/22/00	100-2100			
REVISIONS	REVISED	63	10/22/00	100-2100			
REVISIONS	REVISED	64	10/22/00	100-2100			
REVISIONS	REVISED	65	10/22/00	100-2100			
REVISIONS	REVISED	66	10/22/00	100-2100			
REVISIONS	REVISED	67	10/22/00	100-2100			
REVISIONS	REVISED	68	10/22/00	100-2100			
REVISIONS	REVISED	69	10/22/00	100-2100			
REVISIONS	REVISED	70	10/22/00	100-2100			
REVISIONS	REVISED	71	10/22/00	100-2100			
REVISIONS	REVISED	72	10/22/00	100-2100			
REVISIONS	REVISED	73	10/22/00	100-2100			
REVISIONS	REVISED	74	10/22/00	100-2100			
REVISIONS	REVISED	75	10/22/00	100-2100			
REVISIONS	REVISED	76	10/22/00	100-2100			
REVISIONS	REVISED	77	10/22/00	100-2100			
REVISIONS	REVISED	78	10/22/00	100-2100			
REVISIONS	REVISED	79	10/22/00	100-2100			
REVISIONS	REVISED	80	10/22/00	100-2100			
REVISIONS	REVISED	81	10/22/00	100-2100			
REVISIONS	REVISED	82	10/22/00	100-2100			
REVISIONS	REVISED	83	10/22/00	100-2100			
REVISIONS	REVISED	84	10/22/00	100-2100			
REVISIONS	REVISED	85	10/22/00	100-2100			
REVISIONS	REVISED	86	10/22/00	100-2100			
REVISIONS	REVISED	87	10/22/00	100-2100			
REVISIONS	REVISED	88	10/22/00	100-2100			
REVISIONS	REVISED	89	10/22/00	100-2100			
REVISIONS	REVISED	90	10/22/00	100-2100			
REVISIONS	REVISED	91	10/22/00	100-2100			
REVISIONS	REVISED	92	10/22/00	100-2100			
REVISIONS	REVISED	93	10/22/00	100-2100			
REVISIONS	REVISED	94	10/22/00	100-2100			
REVISIONS	REVISED	95	10/22/00	100-2100			
REVISIONS	REVISED	96	10/22/00	100-2100			
REVISIONS	REVISED	97	10/22/00	100-2100			
REVISIONS	REVISED	98	10/22/00	100-2100			
REVISIONS	REVISED	99	10/22/00	100-2100			
REVISIONS	REVISED	100	10/22/00	100-2100			