

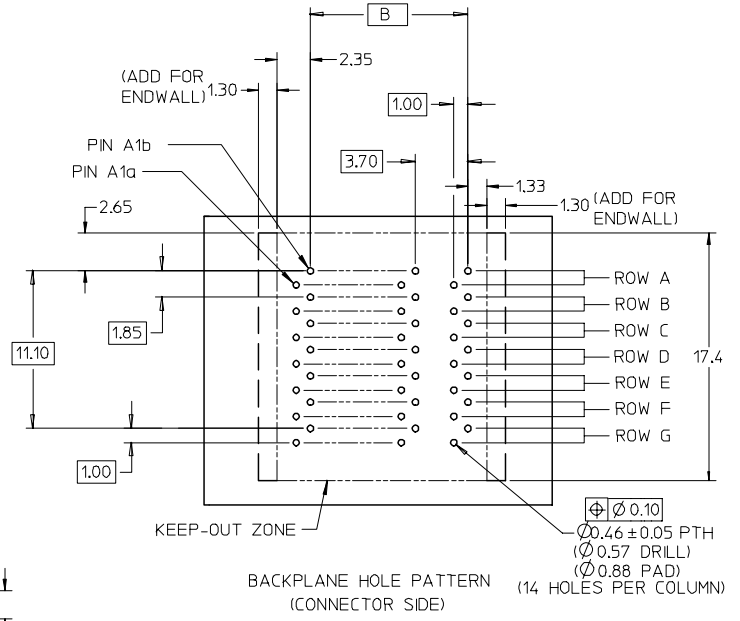
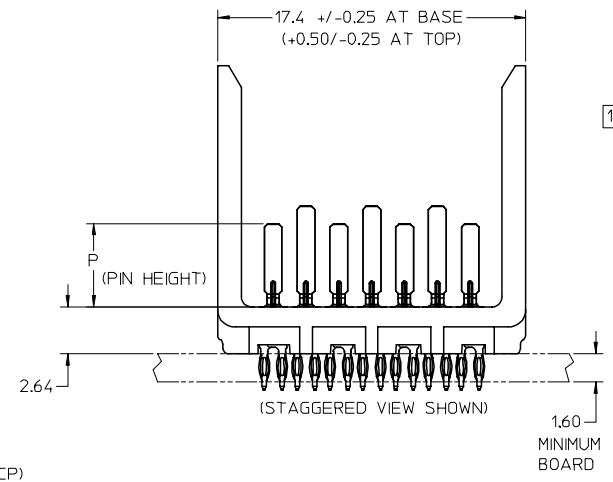
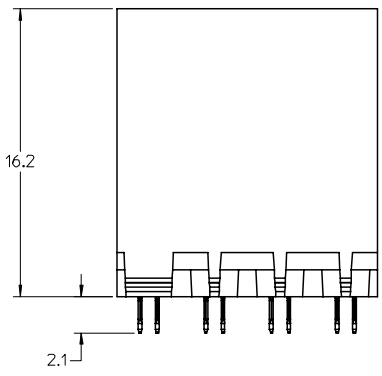
**76015-\*\*\*\***

MODULE TYPE -- TAIL PLATING TYPE  
 UNGUIDED -- TIN/LEAD = 0  
 UNGUIDED -- TIN ONLY = 1

# OF COLUMNS  
 4 = 4 COL  
 6 = 6 COL  
 1 = 10 COL

PIN LENGTH (P)  
 2 = 3.90  
 3 = 4.70  
 4 = 5.70  
 5 = 4.70 & 5.70  
 6 = 4.70 & 5.70  
 7 = 4.70 & 5.70  
 8 = 4.70 & 5.70  
 9 = 4.70 & 5.70  
 10 = 4.70 & 5.70

PART STYLE  
 0 = OPEN ENDS  
 1 = LEFT END WALL  
 2 = DUAL END WALL  
 3 = RIGHT END WALL



- NOTES:
1. MATERIALS: HOUSING - LIQUID CRYSTAL POLYMER (LCP)  
GLASS-FILLED, UL94V-0  
TERMINALS - HIGH PERFORMANCE COPPER ALLOY
  2. FINISH: 30uIN MIN. GOLD IN CONTACT AREA,  
SELECTIVE TIN/LEAD OR SELECTIVE TIN  
ON PCB TAILS. NICKEL OVERALL.
  3. REFER TO MOLEX PRODUCT SPECIFICATION PS-75710-999  
FOR PERFORMANCE SPECIFICATIONS.
  4. FOR MIXED CONTACT MATING LENGTHS, CONSULT MOLEX  
FOR AVAILABILITY.
  5. THIS PART CONFORMS TO CLASS B REQUIREMENTS OF  
COSMETIC SPEC PS-45499-002
  6. PACKAGE PER: PK-70873-125.
  7. REFER TO PCB ROUTING GUIDE FOR ANTIPAD AND  
ROUTING RECOMMENDATIONS.

UPDATE TOL FC NO: UCP2008-1145 DRAWN: BPSZCZOR 2007/11/19 CHKD: 2007/11/19 APPR: JLAURX 2007/11/19 REV	QUALITY SYMBOLS =0 =0	GENERAL TOLERANCES (UNLESS SPECIFIED)		DIMENSION STYLE MM ONLY		SCALE 5:1	DESIGN UNITS METRIC	THIRD ANGLE PROJECTION
		mm	INCH	DRAWN BY BPSZCZOR	DATE 2007/01/25	TITLE I-TRAC BACKPLANE 7 ROW UNGUIDED ASSEMBLY SALES DRAWING		
		4 PLACES ±	±	CHECKED BY JLAURX	DATE 2007/02/06	MOLEX INCORPORATED		
		3 PLACES ±	±	APPROVED BY CBIXLER	DATE 2007/02/06	DOCUMENT NO. SD-76015-001		SHEET NO. 1 OF 4
		2 PLACES ±	±	MATERIAL NO. SEE CHART				
		1 PLACE ±	±	DRAFT WHERE APPLICABLE MUST REMAIN WITHIN DIMENSIONS		THIS DRAWING CONTAINS INFORMATION THAT IS PROPRIETARY TO MOLEX INCORPORATED AND SHOULD NOT BE USED WITHOUT WRITTEN PERMISSION		
		ANGULAR ±1/2°						

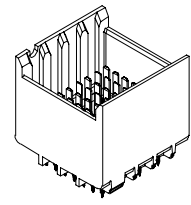
13 12 11 10 9 8 7 6 5 4 3 2 1

J  
I  
H  
G  
F  
E  
D  
C  
B  
A

J  
I  
H  
G  
F  
E  
D  
C  
B  
A

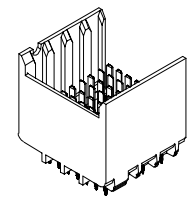
MATERIAL NUMBER	# OF COLUMNS	DIM 'A'	DIM 'B'
76015-*42*	4	17.3	11.10
76015-*62*	6	24.7	18.50
76015-*12*	10	39.5	33.30

DUAL END STYLE



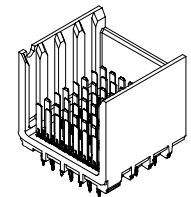
MATERIAL NUMBER	# OF COLUMNS	DIM 'A'	DIM 'B'
76015-*41*	4	16.0	11.10
76015-*61*	6	23.4	18.50
76015-*11*	10	38.2	33.30

LEFT END STYLE



MATERIAL NUMBER	# OF COLUMNS	DIM 'A'	DIM 'B'
76015-*43*	4	16.0	11.10
76015-*63*	6	23.4	18.50
76015-*13*	10	38.2	33.30

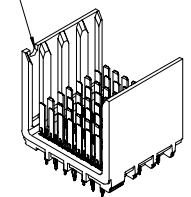
RIGHT END STYLE



MATERIAL NUMBER	# OF COLUMNS	DIM 'A'	DIM 'B'
76015-*40*	4	14.7	11.10
76015-*60*	6	22.1	18.50
76015-*10*	10	36.9	33.30

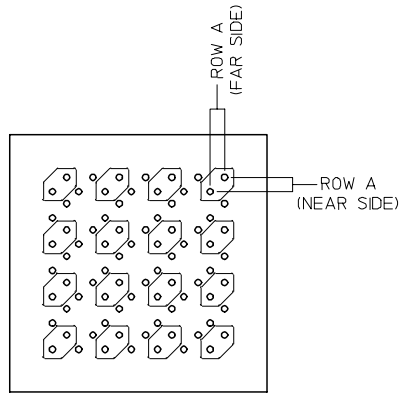
OPEN END STYLE

NOTCH DESIGNATES ROW A

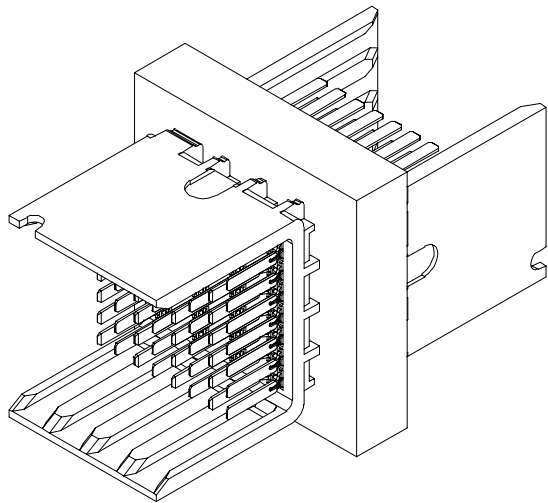


INITIAL RELEASE FCC NO: UCP2008-1145 DRAWN BY: BPI SZCZOR 2007/11/19 CHKD: JL AURX 2007/11/19 APPR: JL AURX 2007/11/19 REV:	QUALITY SYMBOLS ▽=0 ▽=0	GENERAL TOLERANCES (UNLESS SPECIFIED)		DIMENSION STYLE MM ONLY		SCALE 4:1	DESIGN UNITS METRIC	THIRD ANGLE PROJECTION			
		4 PLACES ± --- ± ---	3 PLACES ± --- ± ---	2 PLACES ± 0.13 ± ---	1 PLACE ± 0.25 ± ---	ANGULAR ± 1/2°	DRAWN BY BPI SZCZOR	DATE 2007/01/25	TITLE I-TRAC BACKPLANE 7 ROW UNGUIDED ASSEMBLY SALES DRAWING		
		DRAFT WHERE APPLICABLE MUST REMAIN WITHIN DIMENSIONS					CHECKED BY JL AURX	DATE 2007/02/06	MOLEX INCORPORATED		
		SEE CHART					APPROVED BY CBIXLER	DATE 2007/02/06	MATERIAL NO. SD-76015-001	DOCUMENT NO.	SHEET NO. 2 OF 4

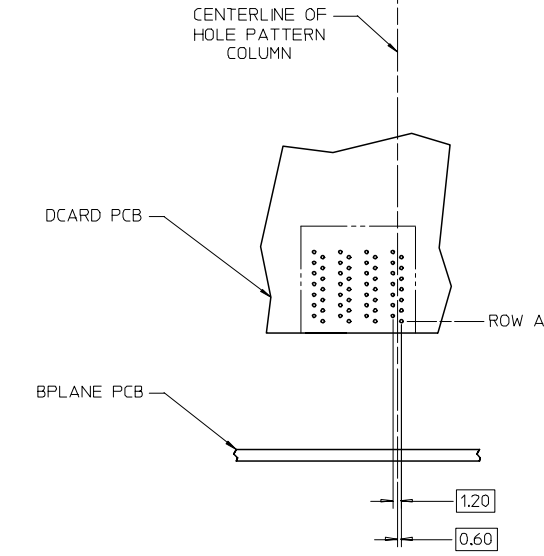
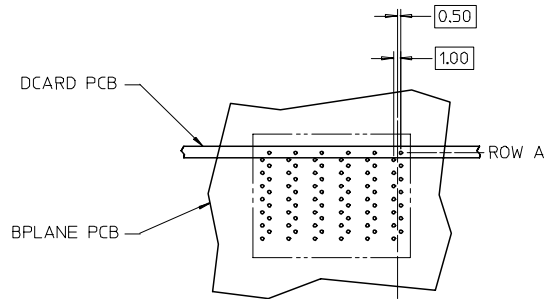
12 11 10 9 8 7 6 5 4 3 2 1



ORTHOGONAL MIDPLANE HOLE PATTERN  
(16 SIGNAL PAIRS SHARE VIAS)

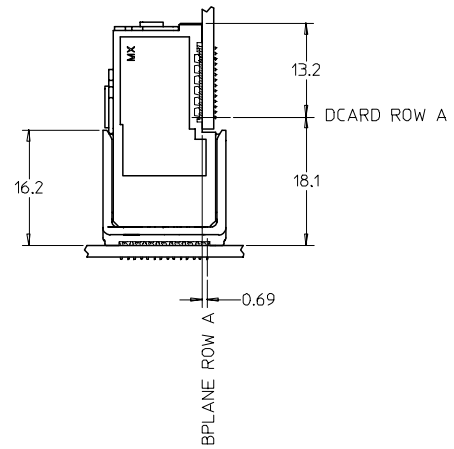


16 PAIR ORTHOGONAL MIDPLANE NODE  
(USES TWO 4 COLUMN 7 ROW HEADERS)

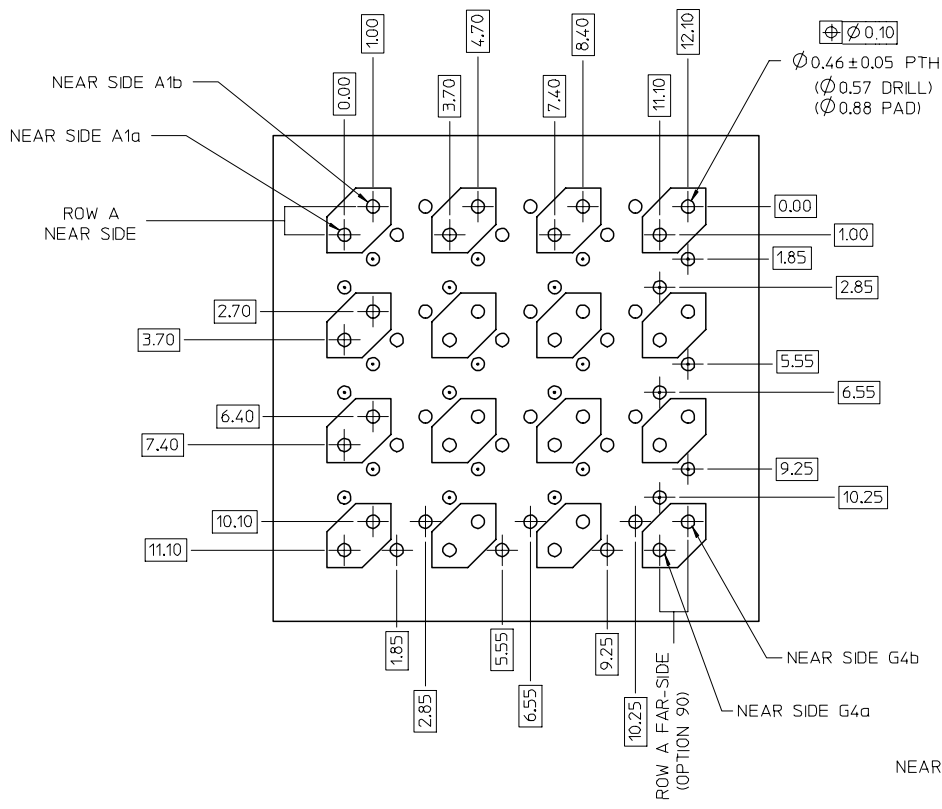


7 ROW I-TRAC  
BOARD RELATIONSHIPS

SCALE 2:1

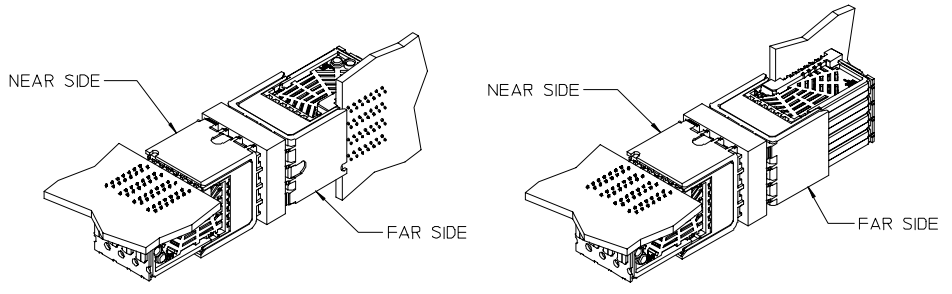


UPDATE DIMS EC NO: UCP2008-1145 DRAWN: BPI/SZCZOR 2007/11/19 CHKD: JL AURX 2007/11/19 APPR: JL AURX 2007/11/19 REVISIONS	QUALITY SYMBOLS ▽=0 ▽=0	GENERAL TOLERANCES (UNLESS SPECIFIED)		DIMENSION STYLE MM ONLY		SCALE 4:1	DESIGN UNITS METRIC	THIRD ANGLE PROJECTION	
		4 PLACES ± --- ± ---	3 PLACES ± --- ± ---	2 PLACES ± 0.13 ± ---	1 PLACE ± 0.25 ± ---	ANGULAR ±1/2°	DRAWN BY BPI/SZCZOR	DATE 2007/01/25	TITLE I-TRAC BACKPLANE 7 ROW UNGUIDED ASSEMBLY SALES DRAWING
		DRAFT WHERE APPLICABLE MUST REMAIN WITHIN DIMENSIONS		SEE CHART		APPROVED BY CBIXLER	DATE 2007/02/06	MATERIAL NO.	MOLEX INCORPORATED
						DOCUMENT NO. SD-76015-001		SHEET NO. 3 OF 4	



ORTHO PIN MAPPING			
OPTION 90 (NEAR SIDE - FAR SIDE)			
A1b-G4b	A2b-E4b	A3b-C4b	A4b-A4b
A1a-G4a	A2a-E4a	A3a-C4a	A4a-A4a
C1b-G3b	C2b-E3b	C3b-C3b	C4b-A3b
C1a-G3a	C2a-E3a	C3a-C3a	C4a-A3a
E1b-G2b	E2b-E2b	E3b-C2b	E4b-A2b
E1a-G2a	E2a-E2a	E3a-C2a	E4a-A2a
G1b-G1b	G2b-E1b	G3b-C1b	G4b-A1b
G1a-G1a	G2a-E1a	G3a-C1a	G4a-A1a

ORTHO PIN MAPPING			
OPTION 270 (NEAR SIDE - FAR SIDE)			
A1b-A1a	A2b-C1a	A3b-E1a	A4b-G1a
A1a-A1b	A2a-C1b	A3a-E1b	A4a-G1b
C1b-A2a	C2b-C2a	C3b-E2a	C4b-G2a
C1a-A2b	C2a-C2b	C3a-E2b	C4a-G2b
E1b-A3a	E2b-C3a	E3b-E3a	E4b-G3a
E1a-A3b	E2a-C3b	E3a-E3b	E4a-G3b
G1b-A4a	G2b-C4a	G3b-E4a	G4b-G4a
G1a-A4b	G2a-C4b	G3a-E4b	G4a-G4b



- NOTES:
- SIGNAL PAIRS (SHARED VIAS)
  - NEAR SIDE GROUNDS
  - FAR SIDE GROUNDS

INITIAL RELEASE EC NO: UCP2008-1145 DRAWN: BPSZCZOR 2007/11/19 CHKD: JL AURX 2007/11/19 APPR: JL AURX 2007/11/19 REVISIONS	QUALITY SYMBOLS  	GENERAL TOLERANCES (UNLESS SPECIFIED)		DIMENSION STYLE		SCALE	DESIGN UNITS	THIRD ANGLE PROJECTION			
				MM ONLY		4:1	METRIC				
				mm	INCH	DRAWN BY		DATE	TITLE		
				4 PLACES ± ---	± ---	BPSZCZOR		2007/01/25	I-TRAC BACKPLANE 7 ROW UNGUIDED ASSEMBLY SALES DRAWING		
		3 PLACES ± ---	± ---	CHECKED BY		DATE	MOLEX INCORPORATED DOCUMENT NO. SD-76015-001 SHEET NO. 4 OF 4				
		2 PLACES ± 0.13	± ---	JLAURX		2007/02/06					
		1 PLACE ± 0.25	± ---	APPROVED BY		DATE					
		ANGULAR ±1/2°		CBIXLER		2007/02/06					
		DRAFT WHERE APPLICABLE MUST REMAIN WITHIN DIMENSIONS		MATERIAL NO.		SEE CHART					
				SIZE							
				C							