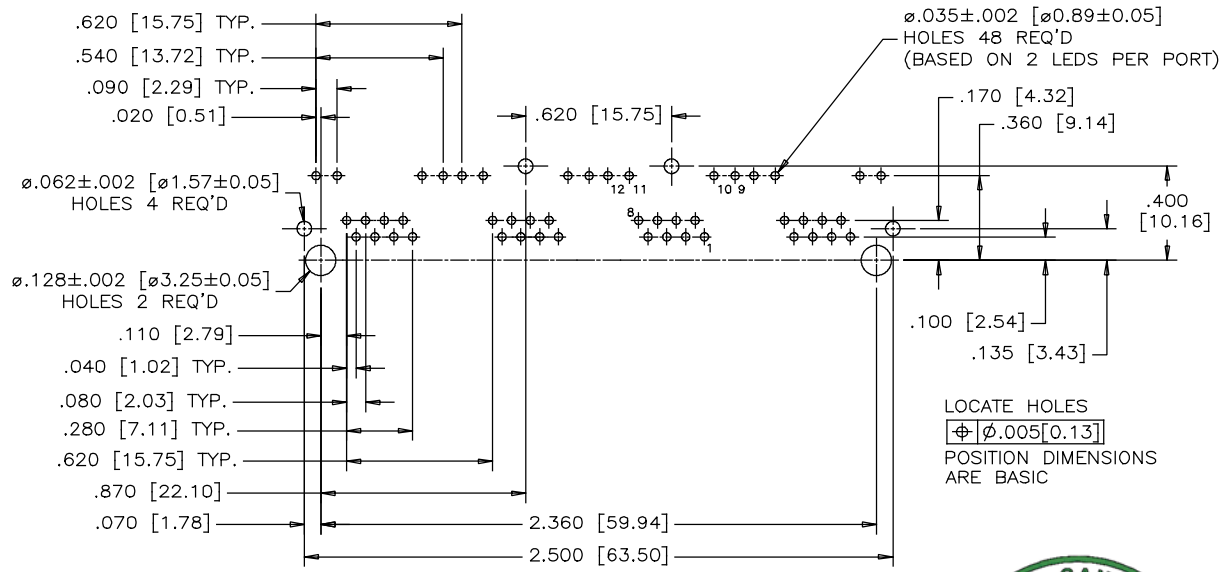
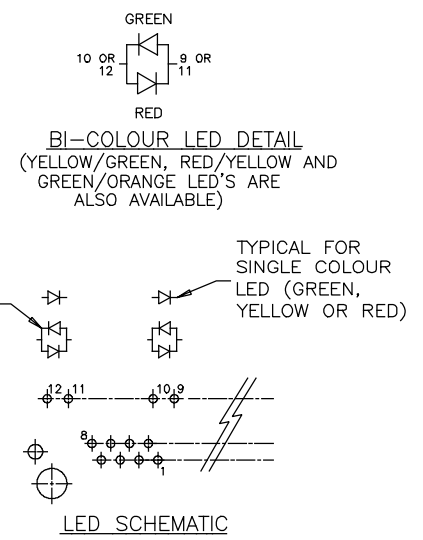
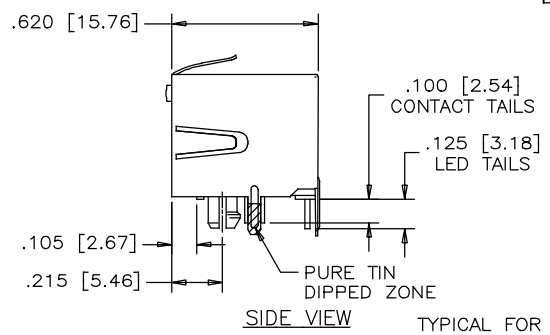
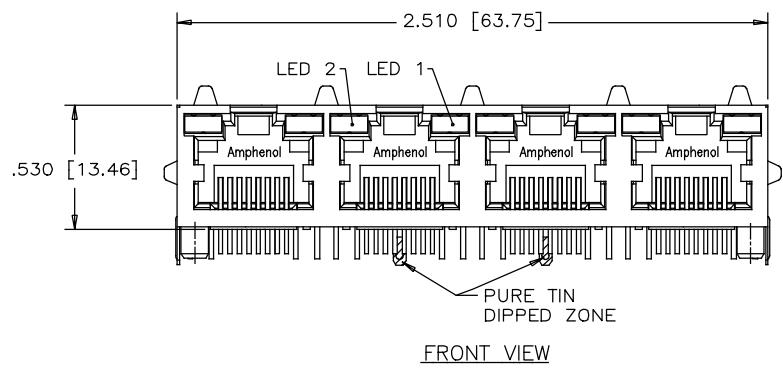


REVISIONS			
REV	DESCRIPTION, ECN, EAR NO.	DATE	APP'D
E	PROPOSAL	JUL 10/08	L.CHAN
F	PROPOSAL	NOV 02/10	L.CHAN
G	ADD DIMENSIONS TOLERANCE	AUG 09/16	L.CHAN



**MATERIALS:**

PLASTIC HOUSING: HIGH TEMPERATURE THERMOPLASTIC  
FLAMMABILITY RATING UL 94V-0

CONTACTS: PHOSPHOR BRONZE  
PLATING: 50  $\mu$ " [1.27 MICRONS]  
MIN. GOLD ON MATING SURFACES.  
50  $\mu$ " [1.27 MICRONS]  
MIN. NICKEL UNDERPLATE  
100  $\mu$ " [2.54 MICRONS]  
MIN. MATTE TIN ON CONTACT TAILS.

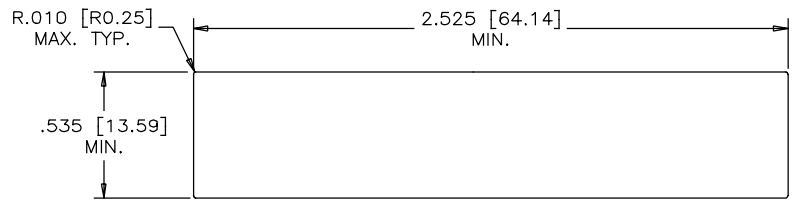
SHIELD: COPPER ALLOY  
PLATING: NICKEL WITH PURE-TIN DIPPED PCB TAILS.

RECOMMENDED SOLDERING TEMPERATURE:  
WAVE SOLDERING AT 260°C MAXIMUM FOR 5 SEC MAXIMUM.



PART NUMBER: RJHSE-538X-04

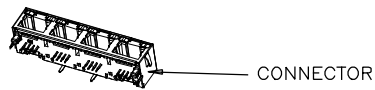
REFER TO LED OPTIONS DRAWING FOR ORDERING CODES



UNLESS SPECIFIED OTHERWISE	DRAWN P.WANG	DATE APR 14/08
PRIMARY UNITS INCH	CHECKED CHIGOW,X	APR 14/08
SECONDARY MILLIMETER	M.E. APP'D	
REFERENCE IN PARENTHESES	Q.A. APP'D	
GENERAL TOLERANCES	DWG APPR.	
1 DECIMAL PLACE $\pm 0.025$	ENG. REL. NO.	
2 DECIMAL PLACES $\pm 0.020$	REF.	
3 DECIMAL PLACES $\pm 0.015$		
ANGULAR DEGREES $\pm 1.0^\circ$	THIRD ANGLE PROJECTION	DO NOT SCALE DRAWING

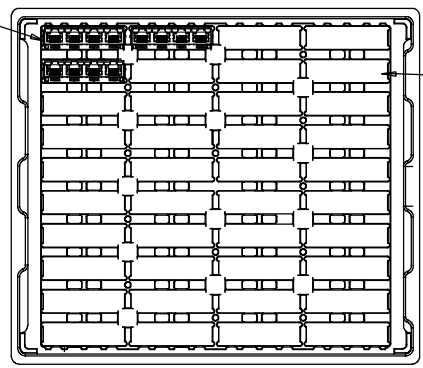
Amphenol Canada Corp. www.amphenolcanada.com	
TITLE	4 PORT, HIGH SPEED, MODULAR JACK, 8 POSITION, 8 CONTACTS, SHIELDED WITH LED'S - RoHS COMPLIANT
DWG. NO.	P-RJHSE-538X-04
CODE ID NO. 03554	DWG SIZE: C SCALE: N/A SHEET 1 OF 2

REVISIONS			
REV	DESCRIPTION, ECN, EAR NO.	DATE	APP'D
E	PROPOSAL	JUL 10/08	L.CHAN
F	PROPOSAL	NOV 02/10	L.CHAN
G	ADD DIMENSIONS TOLERANCE	AUG 09/16	L.CHAN

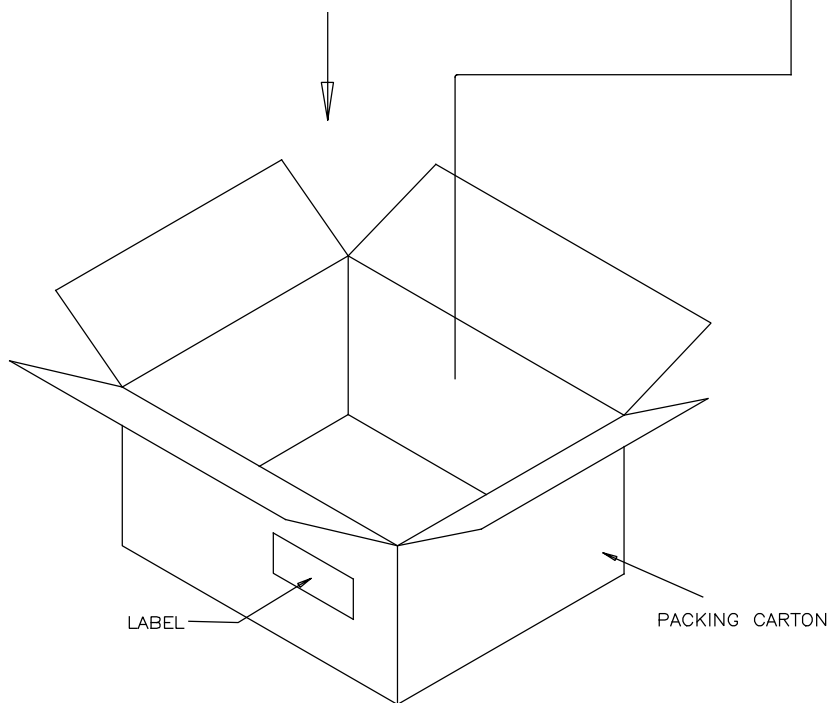


CONNECTOR

CONNECTOR PLACE SCHEMATIC

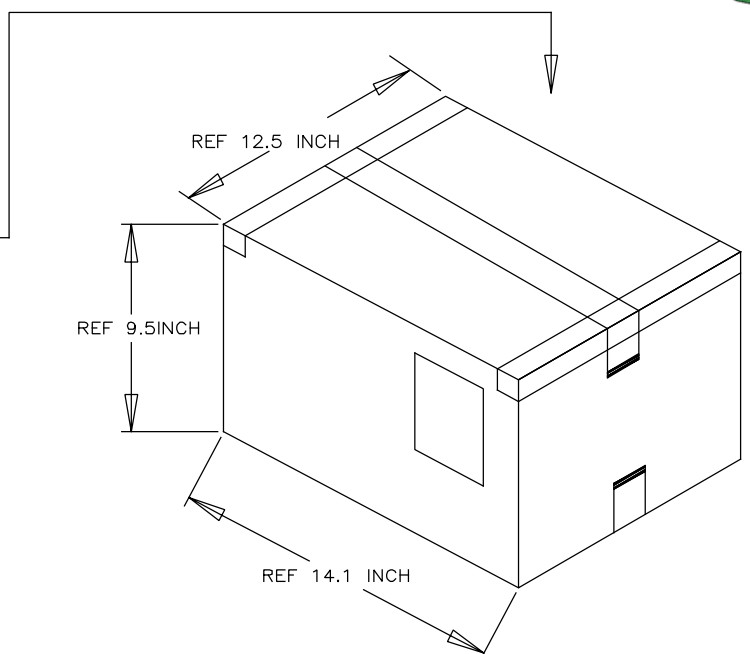


PACKING TRAY



LABEL

PACKING CARTON



- NOTES:  
 PACKAGING QUANTITY:  
 1. 40PCS / TRAY  
 2. 12 TRAYS / CARTON  
 480 PCS CONNECTORS / CARTON

THIS DOCUMENT CONTAINS PROPRIETARY INFORMATION AND SUCH INFORMATION MAY NOT BE DISCLOSED TO OTHERS FOR ANY PURPOSE OR USED FOR MANUFACTURING PURPOSES WITHOUT WRITTEN PERMISSION FROM AMPHENOL CANADA CORP.

UNLESS SPECIFIED OTHERWISE	DRAWN P.WANG	DATE APR 14/06
PRIMARY UNITS INCH	CHECKED CHIGOW,X	APR 14/06
SECONDARY MILLIMETER	M.E. APP'D	
REFERENCE IN PARENTHESES	Q.A. APP'D	
GENERAL TOLERANCES	DWG APPR.	
1 DECIMAL PLACE ±0.025	ENG. REL. NO.	
2 DECIMAL PLACES ±0.020	REF.	
3 DECIMAL PLACES ±0.015	THIRD ANGLE PROJECTION	DO NOT SCALE DRAWING
ANGULAR DEGREES ±1.0°		

Amphenol Canada Corp. www.amphenolcanada.com	
TITLE	4 PORT, HIGH SPEED, MODULAR JACK, 8 POSITION, 8 CONTACTS, SHIELDED WITH LED'S - RoHS COMPLIANT
DWG. NO.	P-RJHSE-538X-04
CODE ID NO. 03554	DWG SIZE: c SCALE: N/A SHEET 2 OF 2

REV G