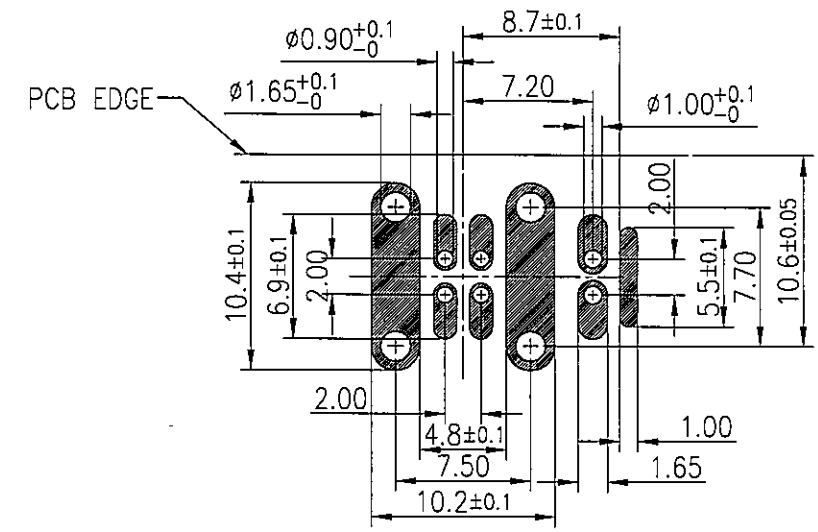
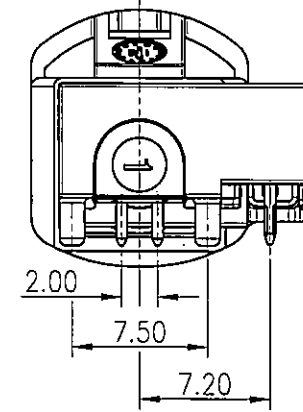
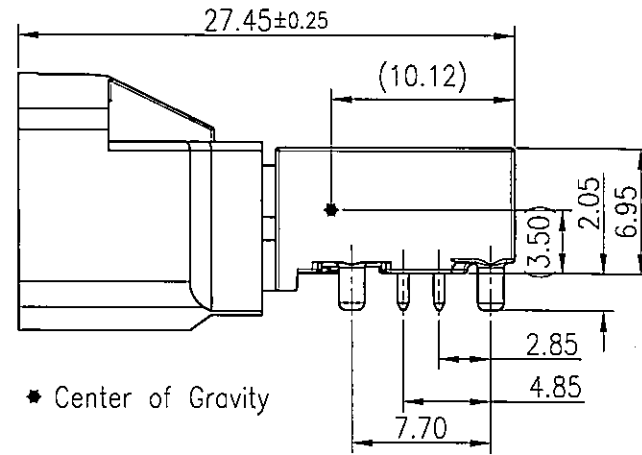
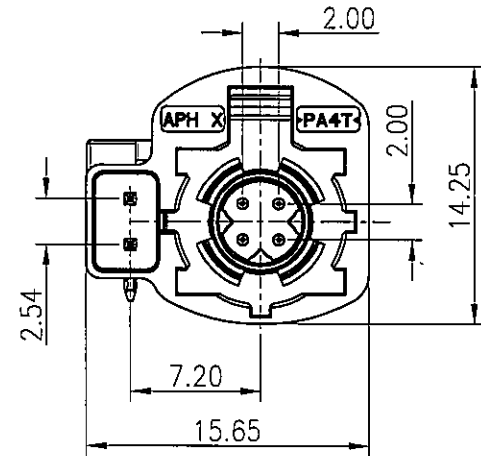


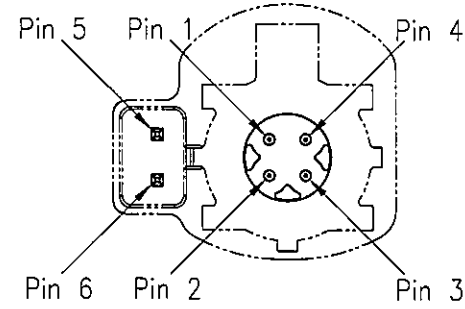
This document is the property of Amphenol Corporation and is delivered on the express condition that it is not to be disclosed, reproduced or used, in whole or in part, for manufacture or sale by anyone other than Amphenol Corporation without its prior consent, & that no right is granted to disclose or to use any information in this document.

CUSTOMER DRAWING

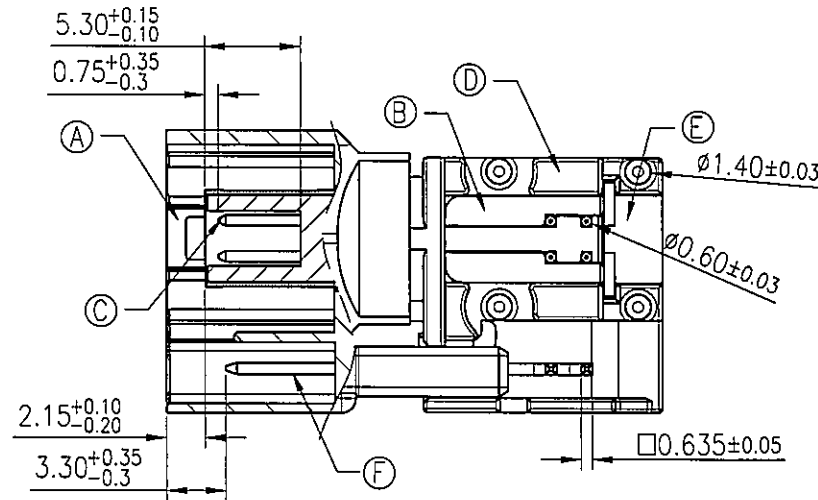
REVISIONS				
SYM	ECN	DESCRIPTION	DATE	APPROVED
5	HK7310	new design	1/25'16	IP



RECOMMENDED PCB LAYOUT TOP VIEW
TOLERANCE: ±0.05 (PCB THICKNESS=1.6±0.15mm)



PINNING STANDARD



Notes:

1. Material:

- Ⓐ Housing: High temperature thermoplastic, color see table 1.
- Ⓑ Dielectric: High temperature thermoplastic, color black.
- Ⓒ Center contact: Copper alloy.
- Ⓓ Outer contact: Zinc alloy.
- Ⓔ Cover: Zinc alloy.
- Ⓕ MQS contact: Copper alloy.

2. Finish:

- Ⓒ Center contact: Gold plated at mating area;
- Ⓓ Outer contact: Tin plated.
- Ⓕ MQS contact: Tin plated.

3. RoHs compliant.

4. Order P/N system:

HSD NXRP PCB 7X

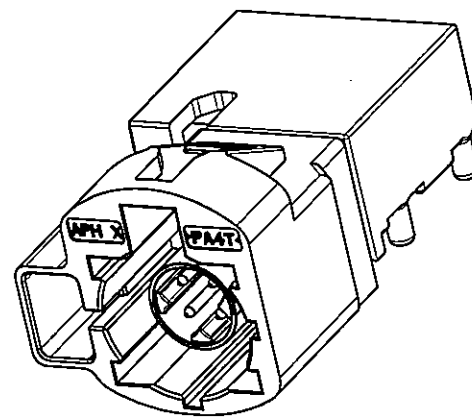
Coding: _____
See table 1

Packing method:

- A- Packing by tape & reel
- B- Packing by tray
- C- Single Packing

Table 1

Plug	Coding	Color	Ral
	A	Black	9005
	B	White	9001
	C	Blue	5005
	D	Claret	4004
	E	Green	6002
	F	Brown	8011
	Z	Waterblue	5021



3D PROFILE



UNLESS OTHERWISE SPECIFIED TOLERANCES U.S. METRIC .X +/- 0.50 .XX +/- 0.20 .XXX +/- 0.10 FRACTIONS +/- ANGLES +/- 5°	APPROVAL	DATE	Amphenol
	DRAWN: Kaka Yang	1/25'16	
FOR MATERIALS AND FINISHES SEE NOTES	CHECKED: Wither	1/28'16	TITLE
REMOVE SHARP EDGES	DRAWING FILE: S:\PE Master\DRAWING\HSD\HSDNXRPPCB7X-5.DWG		HSD + 2MQS R/A PLUG NORTH LOCATION
DIMENSIONS U.S. INCHES METRIC MM	ANGLE OF PROJECTION	SIZE	DRAWING NO.
		A3	HSDNXRPPCB7X
		SCALE	REV.
		1:1	5
		SHEET	1 OF 1