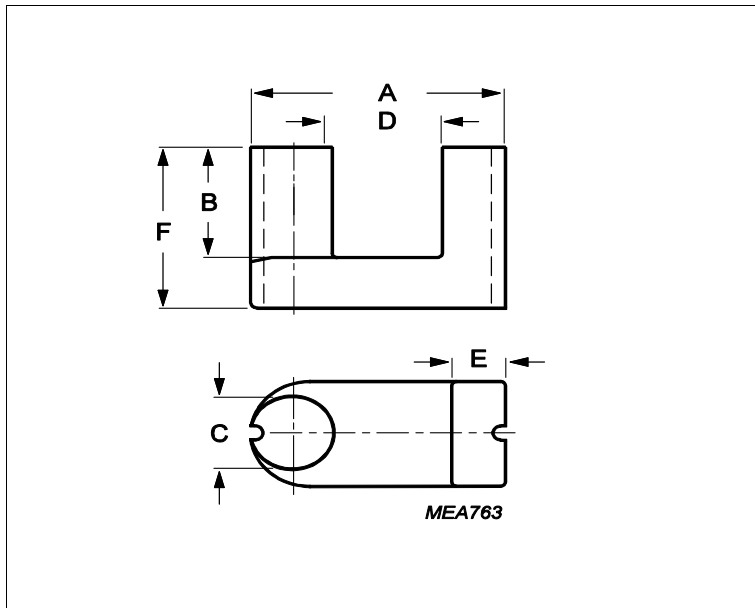


Core **UR55/38/36**



Effective parameters			
	Parameter	Value	Unit
$\Sigma(I/A)$	core factor (C1)	0.45	mm ⁻¹
Ve	effective volume	78570	mm ³
Le	effective length	188	mm
Ae	effective area	418	mm ²
Amin	minimum area		mm ²
m	UR55/38/36	≈ 198	g/pcs

Dimensions for product: UR55/38/36						
	Nom	Tol +	Tol -	Max	Min	Unit
A	54.90	1.10	1.10	56.00	53.80	mm
B	25.50	0.40	0.40	25.90	25.10	mm
C	23.50	0.45	0.45	23.95	23.05	mm
D	20.00	0.40	0.40	20.40	19.60	mm
E	12.00	0.25	0.25	12.25	11.75	mm
F	37.50	0.25	0.25	37.75	37.25	mm

Inductance factor				
Material	Value	Tol +	Tol -	Unit
3C90	5850	25%	25%	nH/turns ²

Power loss: 3C90				
Measuring conditions			Max	Unit
25 kHz	200 mT	100 °C	9.500	W/set

Bsat					
Measuring conditions			Material	Min	Unit
10 kHz	250 A/m	100 °C	3C90	320	mT