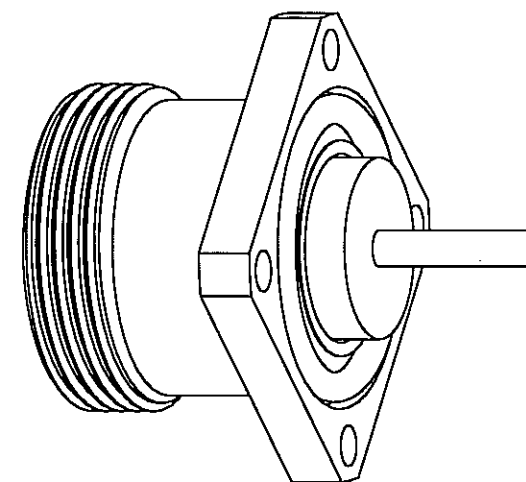
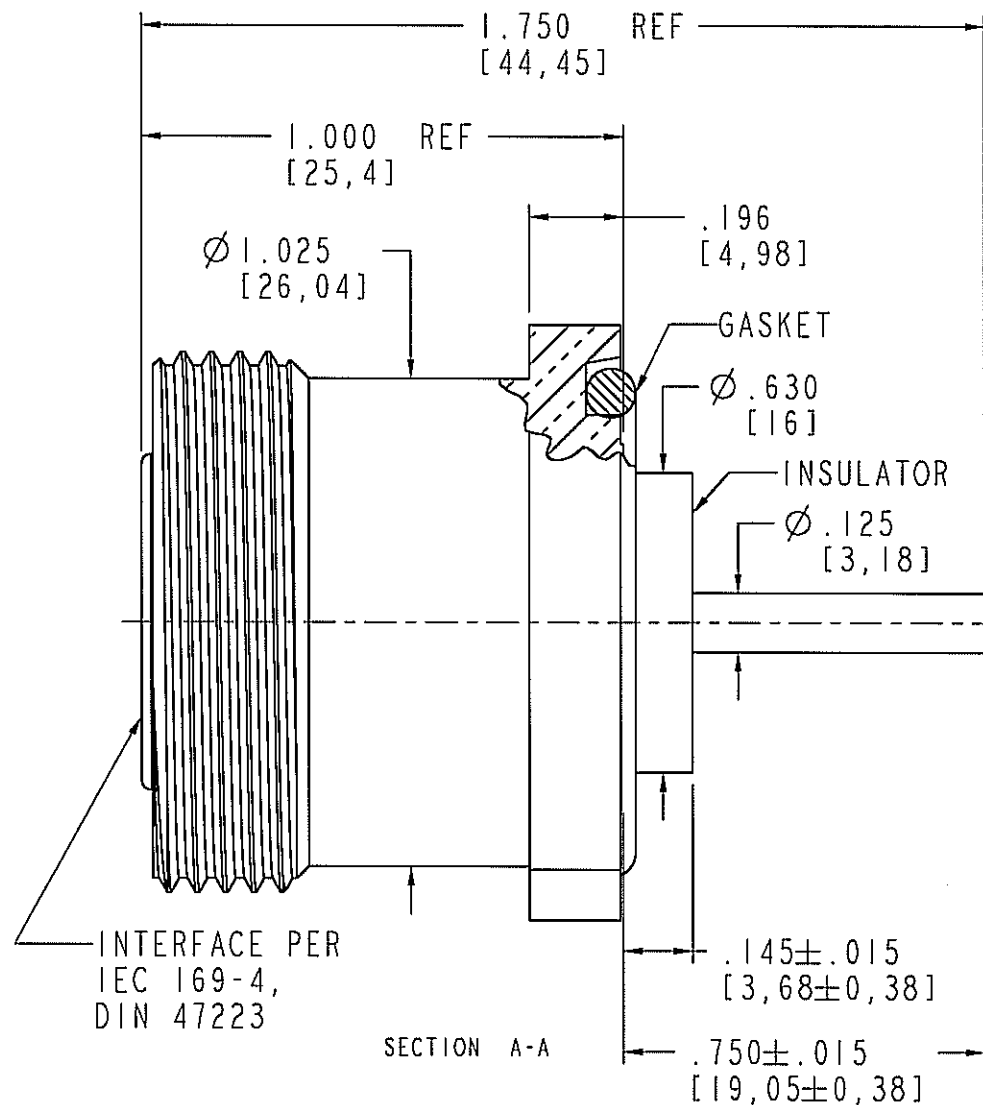
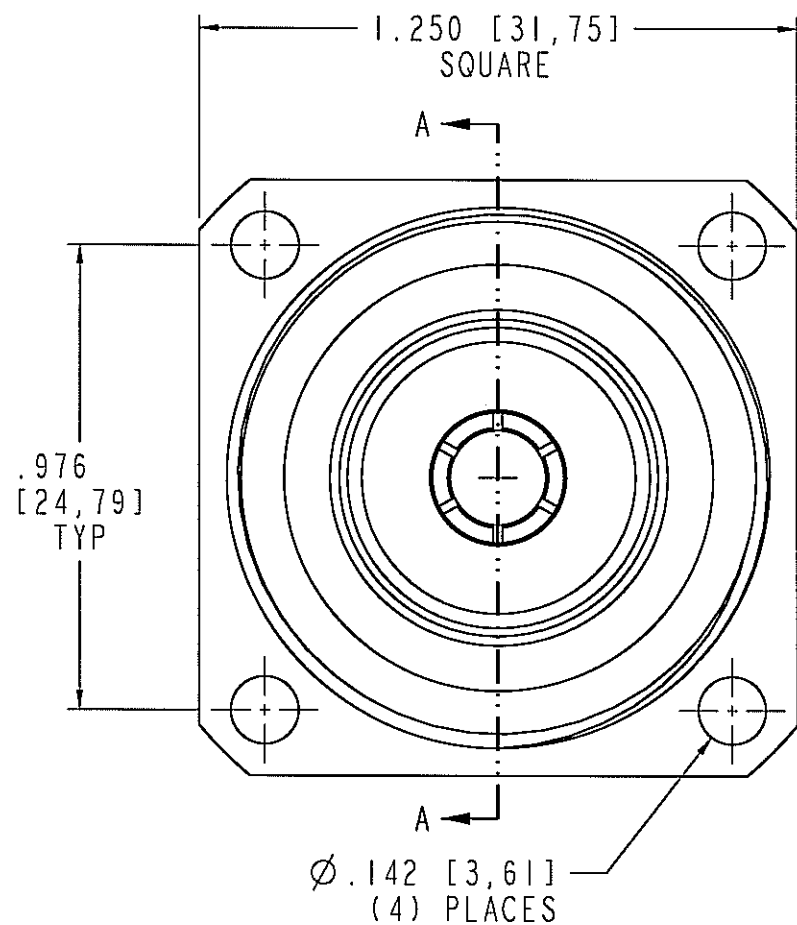


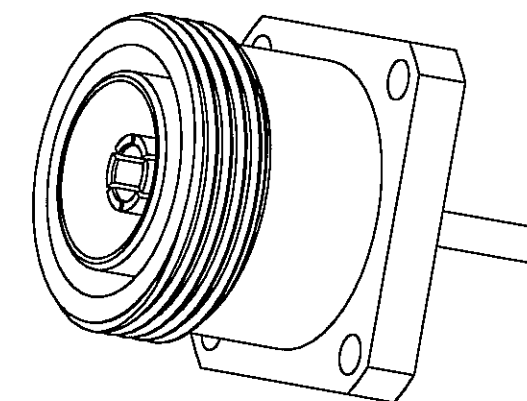
NOTES:

1. MATERIALS OF CONSTRUCTION  
 BODY (ONE PIECE) - BRASS, WHITE BRONZE PLATING  
 CONTACT (ONE PIECE) - BeCu, GOLD PLATED  
 INSULATOR - PTFE
2. ELECTRICAL  
 A. VSWR (RETURN LOSS), MAXIMUM  
 DC - 2GHz: 1.05 (32 dB)  
 B. THIRD ORDER INTERMODULATION DISTORTION, MAXIMUM  
 -120 dBm WITH 2 +43 dBm CARRIERS (-163 dBc)
3. ENVIRONMENTAL  
 A. INTERFACE SEALED PER IEC 529, IP68.

716-75		REVISIONS			
DRAWING NO.	REV	DESCRIPTION	DATE	ECO	APPR
THIRD ANGLE PROJ.	A	OFFICIAL ENG. RELEASE TO MFG.	2/17/98	42360	OTRB



SCALE 1.500



SCALE 1.500

CUSTOMER OUTLINE DRAWING  
FOR REFERENCE ONLY

716-75-0001	1	1	716 (F) RECEPTACLE	SEE S/A
PART NUMBER	QTY.	ITEM	DESCRIPTION	FINISH

UNLESS OTHERWISE SPECIFIED, DIMENSIONS ARE IN INCHES AND TOLERANCES ARE:  
 2 PLACE DECIMAL ±.015 (0,381 mm)  
 3 PLACE DECIMAL ±.005 (0,127 mm)  
 ANGLES ± 1°

NOTICE - These drawings, specifications, or other data (1) are, and remain the property of Amphenol Corp. (2) must be returned upon request; and (3) are confidential and not to be disclosed to any person other than those to whom they are given by Amphenol Corp. The furnishing of these drawings, specifications, or other data by Amphenol Corp., or to any other person to anyone for any purpose is not to be regarded by implication or otherwise in any manner licensing, granting rights or permitting such holder or any other person to manufacture, use or sell any product, process or design, patented or otherwise, that may in any way be related to or disclosed by said drawings, specifications, or other data.

MATERIAL

REFERENCE  
 P/N 716-75-0001  
 GEN# ASSYF23-716  
 EAR# 966848  
 SWEDCOM

DRAWN OWEN BARTHELMES DATE 18-Dec-97  
 ENGINEER OWEN BARTHELMES DATE 18-Dec-97  
 APPROVED *[Signature]* DATE 2/13/98  
 CAD FILE I:\716\716-75

TITLE  
716 (F) RECEPTACLE

**Amphenol**  
 Amphenol Corporation  
 Communication and Network  
 Products Division  
 Danbury, CT U.S.A. 06810

SCALE: 2.5:1 SHEET 1 OF 1

CODE ID	DWG SIZE	DRAWING NO.	REV
74868	B	716-75	A