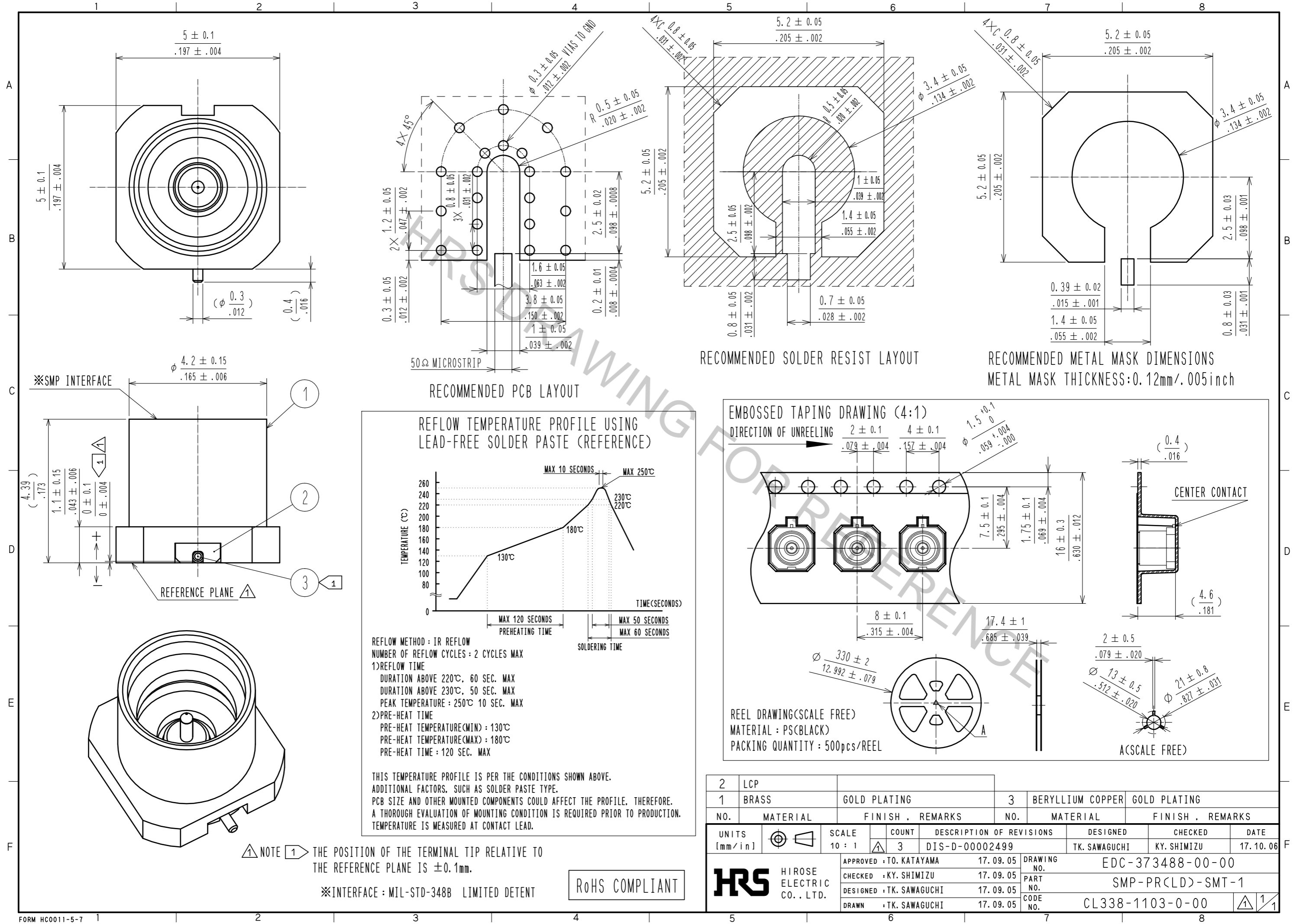


Aug.1.2018 Copyright 2018 HIROSE ELECTRIC CO., LTD. All Rights Reserved.
 In case that the application demands a high level of reliability, such as automotive,
 please contact a company representative for further information.



NOTE 1 THE POSITION OF THE TERMINAL TIP RELATIVE TO THE REFERENCE PLANE IS ±0.1mm.

*INTERFACE: MIL-STD-348B LIMITED DETENT

RoHS COMPLIANT

| | | | | | | |
|---------------|----------|--------------|---------|---------------------------------|------------------|-----------------------|
| 2 | LCP | | | 3 | BERYLLIUM COPPER | GOLD PLATING |
| 1 | BRASS | GOLD PLATING | | | | |
| NO. | MATERIAL | FINISH | REMARKS | NO. | MATERIAL | FINISH |
| | | | | | | |
| UNITS [mm/in] | | SCALE 10:1 | COUNT 3 | DESCRIPTION OF REVISIONS | | DESIGNED TK.SAWAGUCHI |
| | | | | DIS-D-00002499 | | CHECKED KY.SHIMIZU |
| | | | | APPROVED: TO. KATAYAMA 17.09.05 | | DATE 17.10.06 |
| | | | | DRAWING NO. EDC-373488-00-00 | | |
| | | | | PART NO. SMP-PR(LD)-SMT-1 | | |
| | | | | CODE NO. CL338-1103-0-00 | | |