



RoHS compliant

Ethernet Serial Server

■ ■ GW51C-MAXI

- 1-port DIN-Rail model (IP50 Standard)
- Selectable RS-232/422/485 serial interface (15 KV ESD protection)
- 10/100Mbps Fast Ethernet full duplex auto negotiation
- Support with TCP Server/Client, UDP and Virtual COM mode
- Configurable via serial console, Telnet, Web server, or Windows based utilities
- Upgradeable firmware via network

The Industrial Serial Server GW51C-MAXI is a gateway between Ethernet (TCP/IP) and RS-232/422/485 communications. It allows almost any serial device to be connected to a new or existing Ethernet network.

By encapsulating serial data and transporting it over Ethernet, GW51C-MAXI offers full-duplex, bi-directional data transmission transparent between serial port and Ethernet network.

In industrial and manufacturing automation fields, GW51C-MAXI is used as a field device to connect Ethernet through TCP/IP protocol directly. It is also specially designed for conjunction with PLCs, HMIs, Barcode Scanners, Data Terminals, Electronic Kanbans, Shop Floor Control Systems, and Pick-to-Light Systems.

Terminal Server (main control program executed in this unit) makes most use of Ethernet connectivity to drive serial devices. It transforms whatever serial data received to TCP/UDP format then enables a host computer to drive the serial devices through the Ethernet.

Atop Virtual COM software provides existing Windows based applications to access serial-Ethernet devices by mapping to remote serial server over Ethernet.

Flexible configuration options enable this unit to be setup over Ethernet by Telnet, web browser, serial console, or other Windows utilities. Packed in a rugged metal housing with DIN Rail-mountable case and 9~30VDC wide power input range, GW51C-MAXI is ideal for almost any industrial and manufacturing automation.

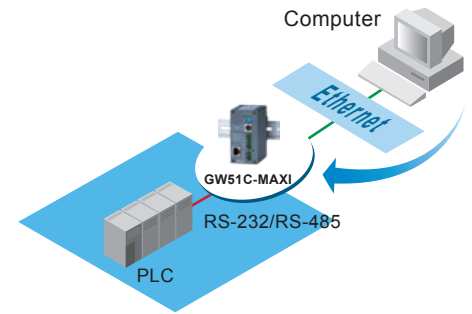
Industrial Serial Server



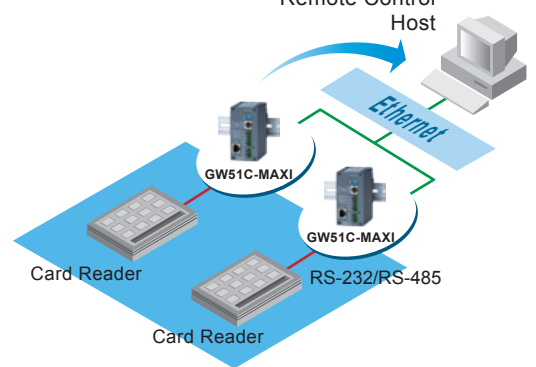
Specifications

| System | |
|----------------------|--|
| CPU | 16-bit x86 Embedded CPU |
| Flash | 512 KBytes |
| RAM | 512 KBytes SDRAM |
| EEPROM | 512 Bytes |
| Watchdog | Hardware built-in |
| Ethernet | |
| Compliance | IEEE802.3 |
| Port | 1-port |
| Transmission Rate | 10/100Mbps Auto-detection |
| Connector | RJ-45 |
| Auto MDI/MDI-X | No |
| Link Mode | |
| TCP Server | Up to 4 connections or Virtual Com mode |
| TCP Client | Single destination |
| UDP | Single destination |
| Serial | |
| Interface | RS-232/422/485 switch selectable |
| Ports | 1-port |
| Baud Rate | 1200bps~230Kbps |
| Parity | None, Odd, Even, Mark, Space |
| Data Bits | 7, 8 |
| Stop Bits | 1, 2 |
| Flow Control | None, Software: Xon/Xoff, Hardware: RTS/CTS |
| Connector | 5-pin 5.08mm terminal block / 8-pin Mini DIN |
| Protection | 15KV ESD |
| Power | |
| Input | DC 9 ~ 30V |
| Consumption | Max. 2.8W |
| Environment | |
| Operating | 0°C~60°C |
| Storage | -40° ~ 85°C (-40°~ 185°F), 5 ~ 95%RH |
| Dimension | |
| W x H x D | 45mm x 91mm x 80mm |
| Software | |
| Configuration | Web Page / Telnet / Serial console / Windows utility |
| Virtual Com | Windows port redirection software |
| Support Protocol | ICMP, TCP(UDP) / IP, DHCP client, SNMP, SMTP, HTTP, Telnet |
| Ordering Information | |
| GW51C-MAXI-WDT | 1-port switch selectable RS-232/422/485 (Terminal Block) serial server |

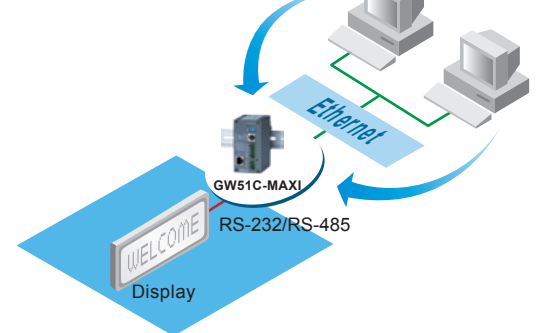
TCP Server Mode



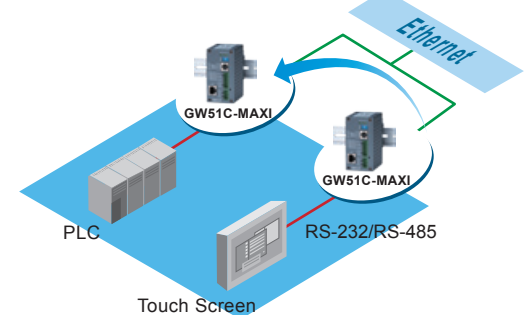
TCP Client mode



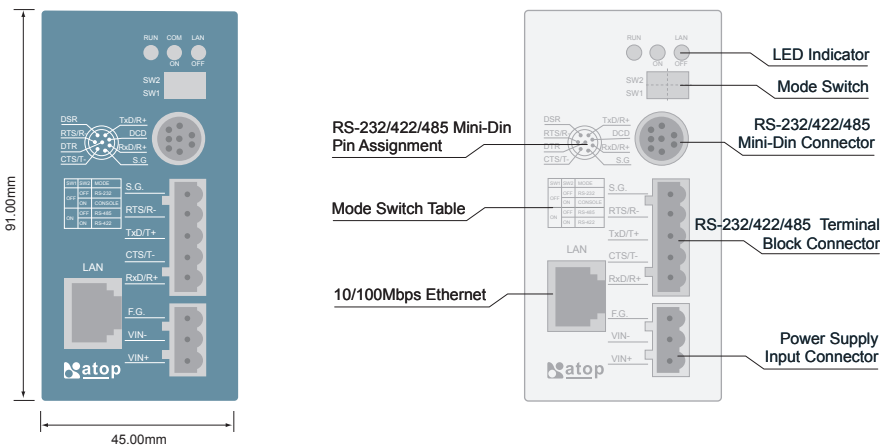
UDP mode



Tunneling mode



GW51C-MAXI Front Panel



Atop Technologies, Inc.

TEL : +886-3-5508137
 FAX : +886-3-5508131
 sales@atop.com.tw
 http : //www.atop.com.tw

Design and specification are subject to change without notice.
 All product names referenced herein are registered trademarks of their respective companies.



CA_GW51C-MAXI_E : v2-040730