

HellermannTyton

ALL PROPRIETARY RIGHTS IN THE SUBJECT MATTER SHOWN ON THIS DRAWING ARE EXCLUSIVE PROPERTY OF HELLERMANN TYTON

name	date	city, state

NOTES

REVISION

level	01
by	AAC
date	08/02/2006
ECN #	010482
part level	-

TOLERANCES

.XXXX = ±.0005
 .XXX = ±.005
 .XX = ±.01
 .X = ±.03
 ∠ = ±0.5°
 unless otherwise specified

units inches

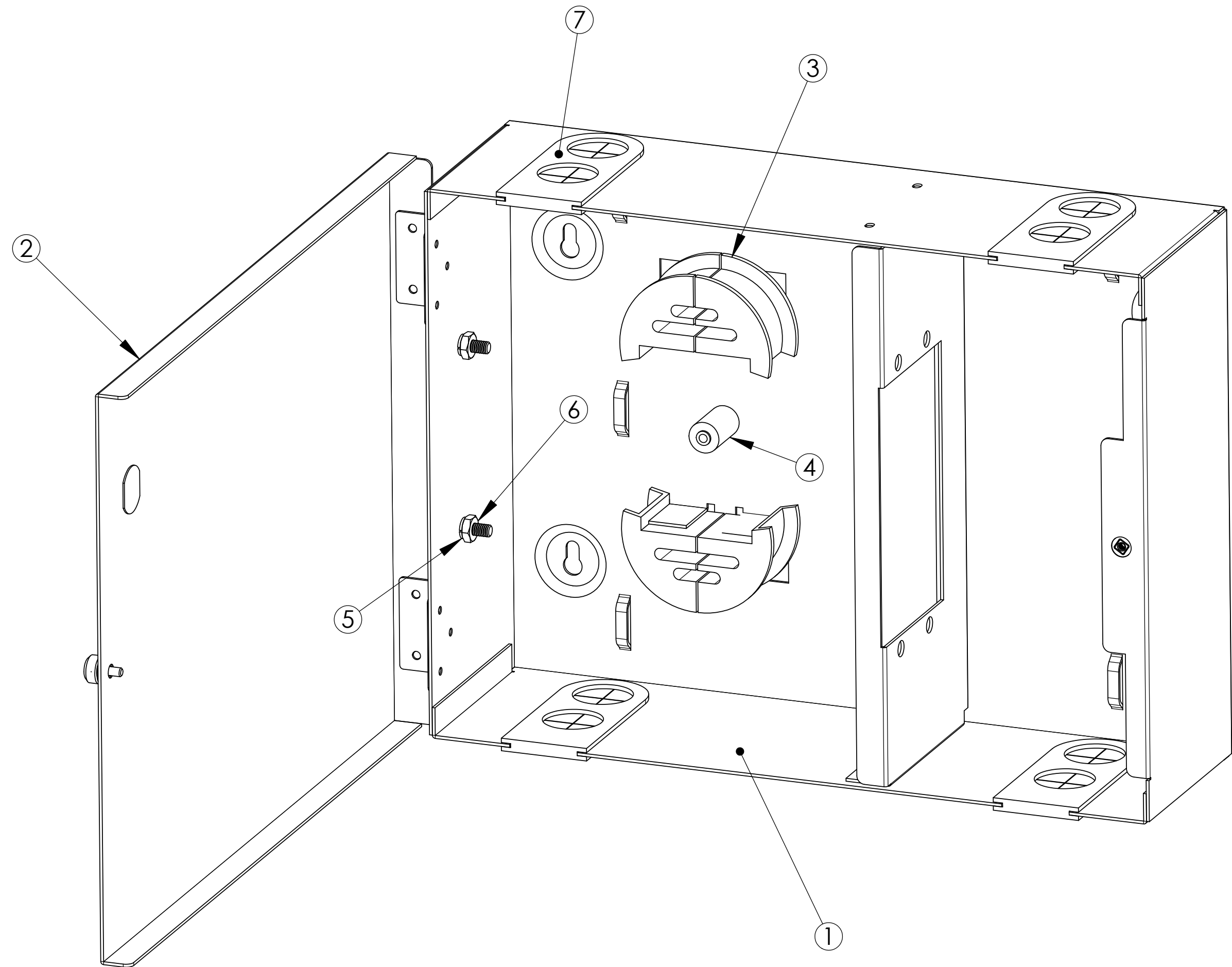
PART

number	FEWM12	phase	Production
name FIBER OPTIC CABLE WALL MOUNT ENCLOSURE			
material SEE CHART SHEET 2			

DRAWING

formal version N	C	CAD	SW 2006	scale	1:1.5
computer file name	MI06-021-001CST_01		previous drawing number		
drawn	AAC	checked	KAC	approved	
date	08/02/2006	date	08/07/2006	sheet 1 of 2	
type	Customer	number MI06-021-001CST			

ITEM NO.	QTY	Description
1	1	ENCLOSURE SUB ASSY
2	1	DOOR ASSY
3	4	WIRE ROUTER
4	1	STANDOFF
5	2	#10 LOCK WASHER, SPRING SS
6	2	10-32 HEX NUT 18-18 SS
7	4	GROMMET



HellermannTyton
 ALL PROPRIETARY RIGHTS IN THE SUBJECT MATTER SHOWN ON THIS DRAWING ARE EXCLUSIVE PROPERTY OF HELLERMANN TYTON

name	date	city, state

NOTES

REVISION	level	01
DRAWN	by	AAC
DATE	date	08/02/2006
ECN #	ECN #	010482
part level		-

TOLERANCES	.XXXX = ±.0005
	.XXX = ±.005
	.XX = ±.01
	.X = ±.03
	∠ = ±0.5°
	unless otherwise specified
units	inches

number	FEWM12	phase	Production
name	FIBER OPTIC CABLE WALL MOUNT ENCLOSURE		
material	SEE CHART SHEET 2		

format version N	C	CAD	SW 2006	scale	1:1.5
computer file name	MI06-021-001CST_01				
drawn	AAC	checked	KAC	approved	
date	08/02/2006	date	08/07/2006	date	
type	Customer	sheet	2 of 2		
number	MI06-021-001CST				