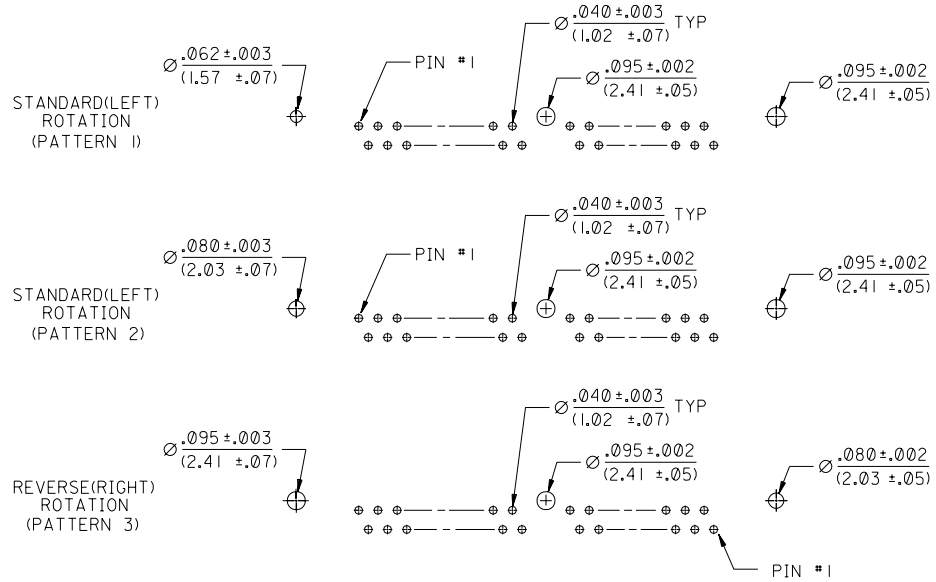


THROUGH HOLE

SHEET #	MODULE HEIGHT	LATCH	ROTATION	PCB PATTERN
2	.125	PLASTIC	STANDARD(LEFT)	PATTERN 1
3	.125	PLASTIC	REVERSE(RIGHT)	PATTERN 3
4	.160	PLASTIC	STANDARD(LEFT)	PATTERN 1
5	.160	PLASTIC	STANDARD(LEFT)	PATTERN 2
6	.160	PLASTIC	REVERSE(RIGHT)	PATTERN 3
7	.160	METAL	STANDARD(LEFT)	PATTERN 1
8	.160	METAL	STANDARD(LEFT)	PATTERN 2
9	.160	METAL	REVERSE(RIGHT)	PATTERN 3
10	.190	PLASTIC	STANDARD(LEFT)	PATTERN 1
11	.190	PLASTIC	STANDARD(LEFT)	PATTERN 2
12	.190	PLASTIC	REVERSE(RIGHT)	PATTERN 3
13	.190	METAL	STANDARD(LEFT)	PATTERN 1
14	.190	METAL	STANDARD(LEFT)	PATTERN 2
15	.190	METAL	REVERSE(RIGHT)	PATTERN 3
16	.250	PLASTIC	STANDARD(LEFT)	PATTERN 1
17	.250	PLASTIC	STANDARD(LEFT)	PATTERN 2
18	.250	PLASTIC	REVERSE(RIGHT)	PATTERN 3
19	.250	METAL	STANDARD(LEFT)	PATTERN 1
20	.250	METAL	STANDARD(LEFT)	PATTERN 2
21	.250	METAL	REVERSE(RIGHT)	PATTERN 3
22	.290	PLASTIC	STANDARD(LEFT)	PATTERN 1
23	.290	PLASTIC	STANDARD(LEFT)	PATTERN 2
24	.290	PLASTIC	REVERSE(RIGHT)	PATTERN 3
25	.290	METAL	STANDARD(LEFT)	PATTERN 1
26	.290	METAL	STANDARD(LEFT)	PATTERN 2
27	.290	METAL	REVERSE(RIGHT)	PATTERN 3

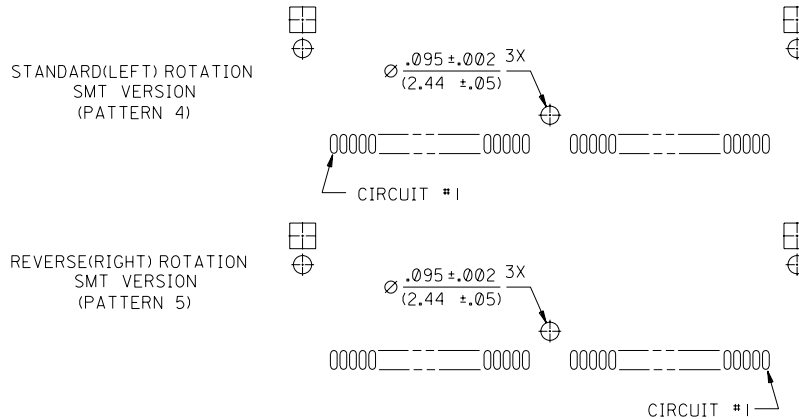
THROUGH HOLE PATTERNS



SURFACE MOUNT

SHEET #	MODULE HEIGHT	LATCH	ROTATION	PCB PATTERN
28	.160	METAL	STANDARD(LEFT)	PATTERN 4
29	.160	METAL	REVERSE(RIGHT)	PATTERN 5
30	.190	METAL	STANDARD(LEFT)	PATTERN 4
31	.190	METAL	REVERSE(RIGHT)	PATTERN 5
32	.250	METAL	STANDARD(LEFT)	PATTERN 4
33	.250	METAL	REVERSE(RIGHT)	PATTERN 5
34	.290	METAL	STANDARD(LEFT)	PATTERN 4
35	.290	METAL	REVERSE(RIGHT)	PATTERN 5

SURFACE MOUNT PATTERNS



P.C. BOARD HOLE PATTERNS

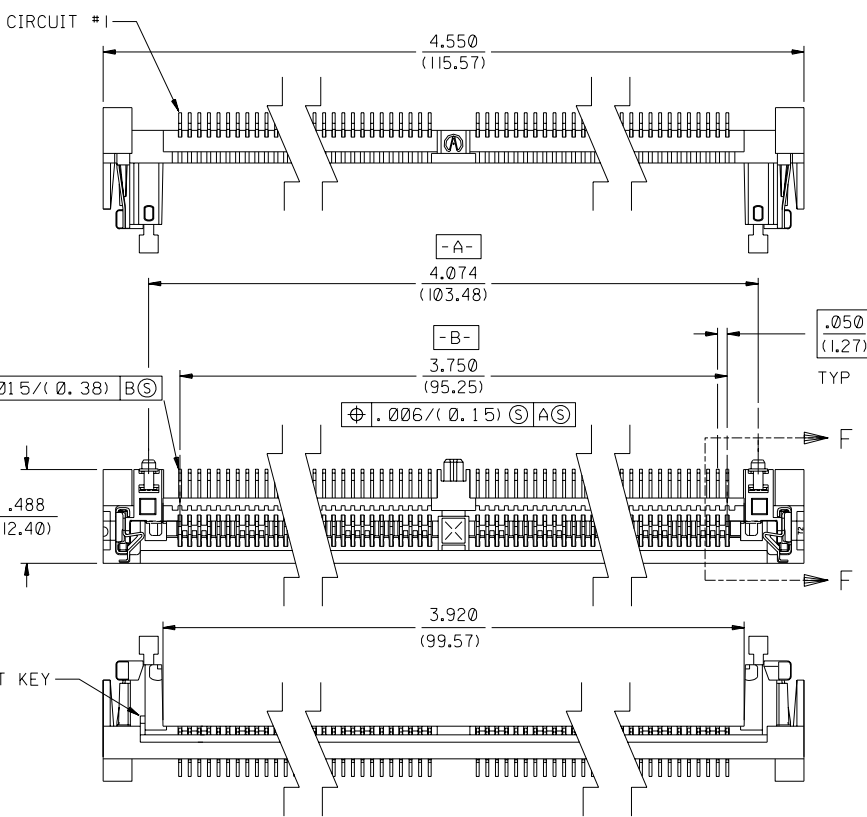
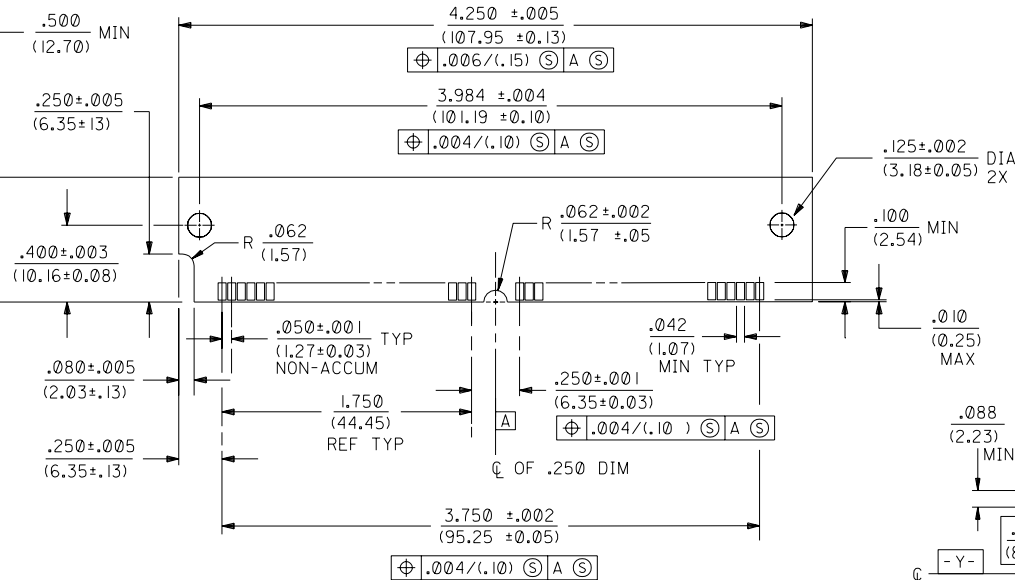
35	D
34	D
33	D
32	D
31	D
30	D
29	D
28	D
27	D
26	D
25	D
24	D
23	D
22	D
21	D
20	D
19	D
18	D
17	D
16	D
15	D
14	D
13	D
12	D
11	D
10	D
9	D
8	D
7	D
6	D
5	D
4	D
3	D
2	D
1	D

DIMENSIONS SHOWN (METRIC) INCH		▽ = 0		= 0		REVISE ONLY ON CAD SYSTEM	
UNLESS OTHERWISE SPECIFIED TOLERANCES: ANGULAR ± 1/2°							
INCH		METRIC					
3 PLACE	± .01	---					
2 PLACE	± .014	± 0.25					
1 PLACE	---	± 0.36					
DRAFT WHERE APPLICABLE MUST REMAIN WITHIN DIMENSIONS							
DRWG. BY	AMD	CHK'D. BY		FILE NAME	SD7896801	SHEET NO.	1 OF 35
APP'D. BY		SCALE	2 : 1	DATE	11/11/93	U.S.A.	
SEE CHART				SDA-78968-*****			
THIS DRAWING CONTAINS INFORMATION THAT IS PROPRIETARY TO MOLEX INC. AND SHOULD NOT BE USED WITHOUT WRITTEN PERMISSION.							

78968

A

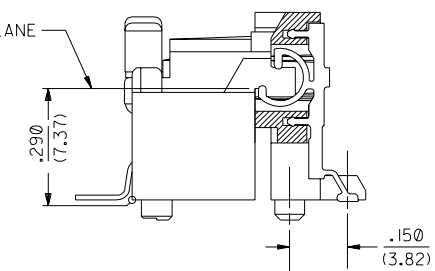
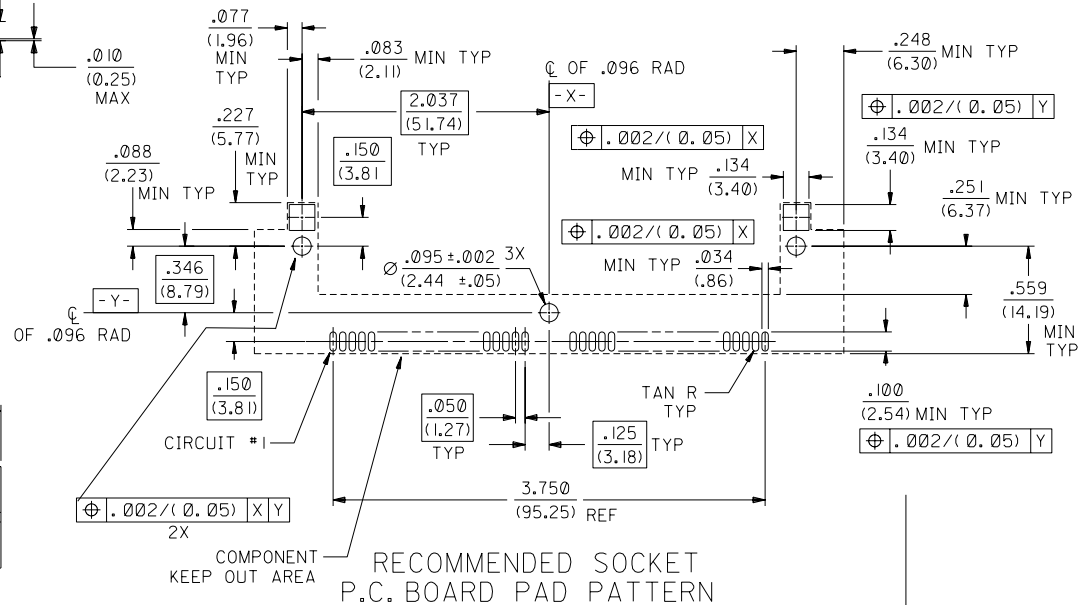




NOTES:  
 1. CARD SLOT ACCEPTS .050 +.004/- .003 P.C. BOARDS (MEASURED OVER P.C. PADS).  
 2. PRODUCT SPEC PS-78968 APPLIES

MATERIALS:  
 HOUSING- LCP, GLASS FILLED, 94V-0, COLOR: BLACK.  
 TERMINAL- PHOSPHOR BRONZE, POST PLATED  
 30  $\mu$  IN. (760  $\mu$  M) MINIMUM GOLD IN CONTACT AREA AND  
 150  $\mu$  IN. (3810  $\mu$  M) MINIMUM TIN IN TAIL AREA OVER  
 75  $\mu$  IN. (1910  $\mu$  M) MINIMUM NICKEL OVERALL.  
 LATCH- STAINLESS STEEL  
 SMT CLIP- PHOSPHOR BRONZE PLATED WITH .000200/(.00508) MINIMUM  
 TIN OVER .000050/(.00127) MINIMUM NICKEL OVERALL.

\*THE PRIMARY SHIPPING CARTON WILL BE LABELED \*COMPLIANT TO  
 ROHS DIRECTIVE 2002/95/EC AND ELV ANNEX II OF DIRECTIVE  
 2000/53/EC\*. CARTONS WITHOUT THIS LABEL MAY CONTAIN PRODUCT WITH LEAD.



C	LEAD FREE UCP2004-1582 RWHITE 04/03/04
B	REVISED PER ECN# U60019 GMY 8-2-95
A	ADD EDP # PER ECR U31533 AMD 10-20-93
I	X-RELEASE PER ECR U31378 AMD 9-27-93

DIMENSIONS SHOWN (METRIC) INCH		▽ = 0   ▽ = 0   REVERSE ONLY ON CAD SYSTEM	
UNLESS OTHERWISE SPECIFIED TOLERANCES: ANGULAR 1/2°			
INCH		METRIC	
5 PLACE	± .010	---	---
2 PLACE	± .014	± 0.25	---
1 PLACE	---	± 0.36	---
DRAFT WHERE APPLICABLE MUST REMAIN WITHIN DIMENSIONS			
DRWG. BY	AMD	CHK'D. BY	
APP'D. BY		SCALE	2:1
PART NO. 15-82-0328		DRWG. NO. SDA-78968-7293	
FILE NAME 789687293.dwg		DIV. DA I C	
MOLEX INC. AND SHOULD NOT BE USED WITHOUT WRITTEN PERMISSION			