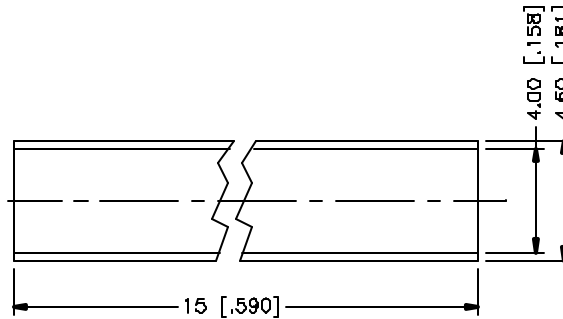
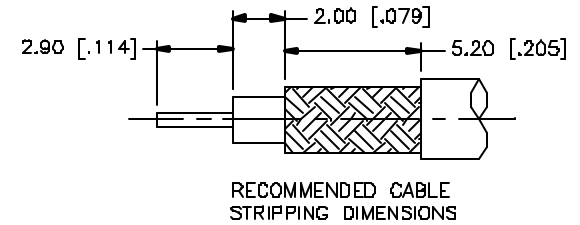
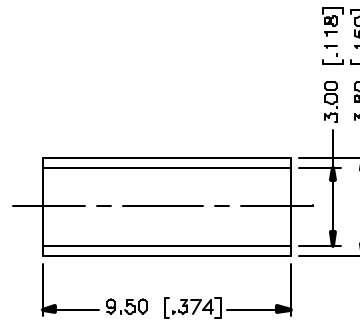
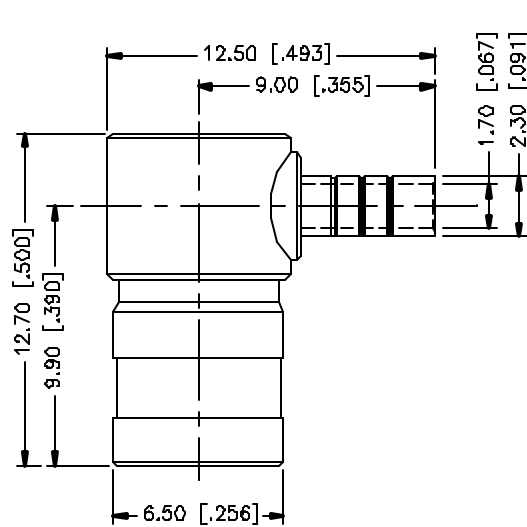
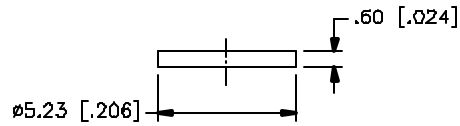


REV.	DATE	DESCRIPTION
A	03/27/05	UPDATE PART DIMENSIONS / DRAWING FORMAT



- NOTE:
1. CRIMPED FERRULE
HEX CRIMP SIZE .128"
 2. CONTACT PIN TO SOLDER

QTY	DESCRIPTION	MATERIAL	FINISH	QTY	UNLESS OTHERWISE SPECIFIED DIMENSIONS ARE IN MILLIMETERS DIMENSIONS IN () ARE IN INCHES AND FOR CUSTOMER REFERENCE ONLY.	APPROVALS	DATE	Amphenol Connex						
8								SMB R/A CRIMP PLUG (FOR RG-179/U CABLE) 142193-75						
7	HEAT SHRINK TUBE			1		DRAWN	G.R.S.					03/27/05	PART DESCRIPTION	
6	COVER	BRASS	NICKEL	1	UNLESS OTHERWISE SPECIFIED TOLERANCES FOR MILLIMETERS ARE: Q.5 - 8mm ± 0.20mm 8 - 30mm ± 0.40mm 30 - 120mm ± 0.80mm	CHECKED							PART NO.	
5	FERRULE	COPPER	NICKEL	1	UNLESS OTHERWISE SPECIFIED TOLERANCES FOR INCHES ARE: .020 - .315 = ± 0.007" .315 - 1.180 = ± 0.015" 1.180 - 4.724 = ± 0.020"	ISSUED							DWG. NO. 142193-75.DWG	
4	CONTACT PIN	BER. COPPER	GOLD	1		SHEET	1 OF 1						REV. A	SIZE A
3	INSULATOR	TEFLON	NATURAL	1										
2	BODY	BRASS	NICKEL	1										
1	HOUSING	DIE CAST	NICKEL	1										
					DO NOT SCALE DRAWING									
						CAD FILE	C:/142/142193-75.DWG							