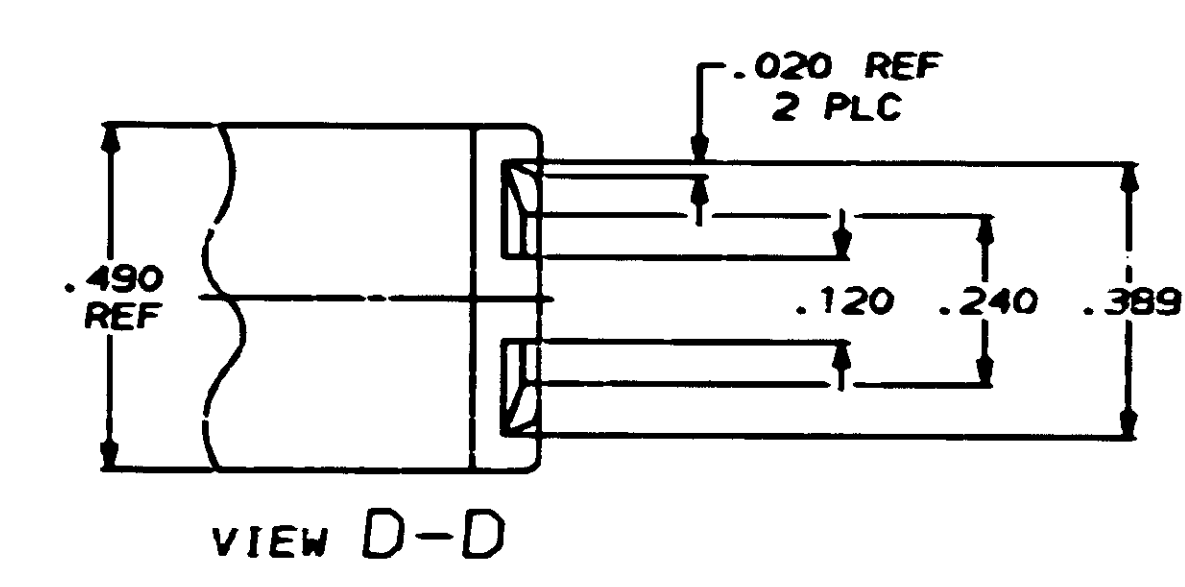
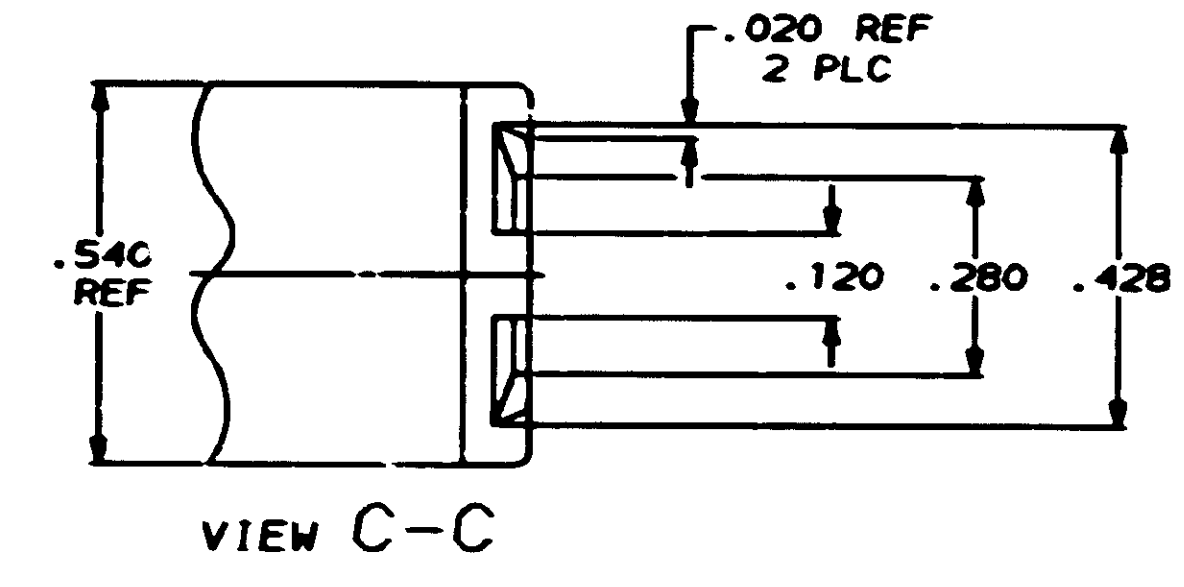
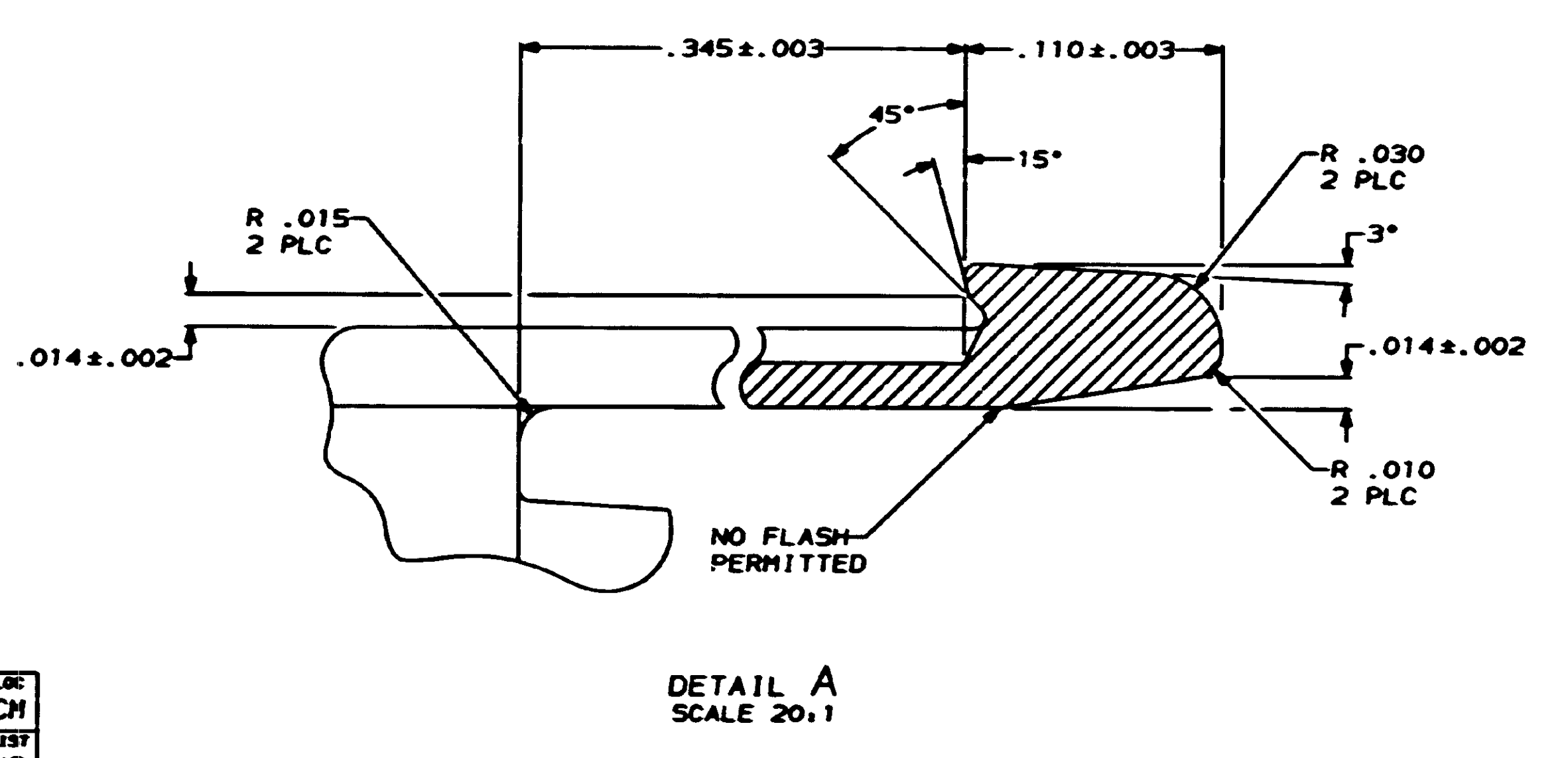
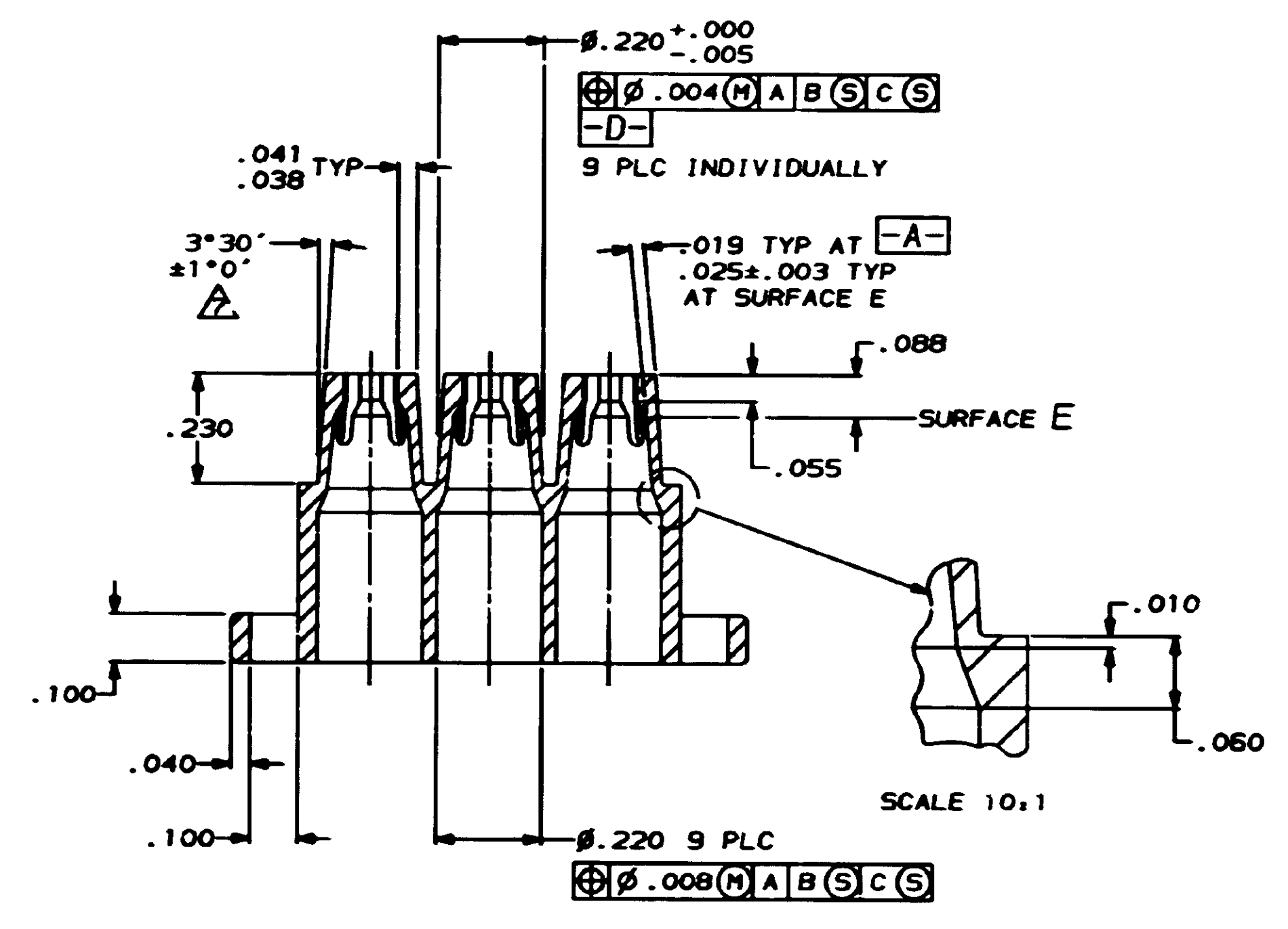
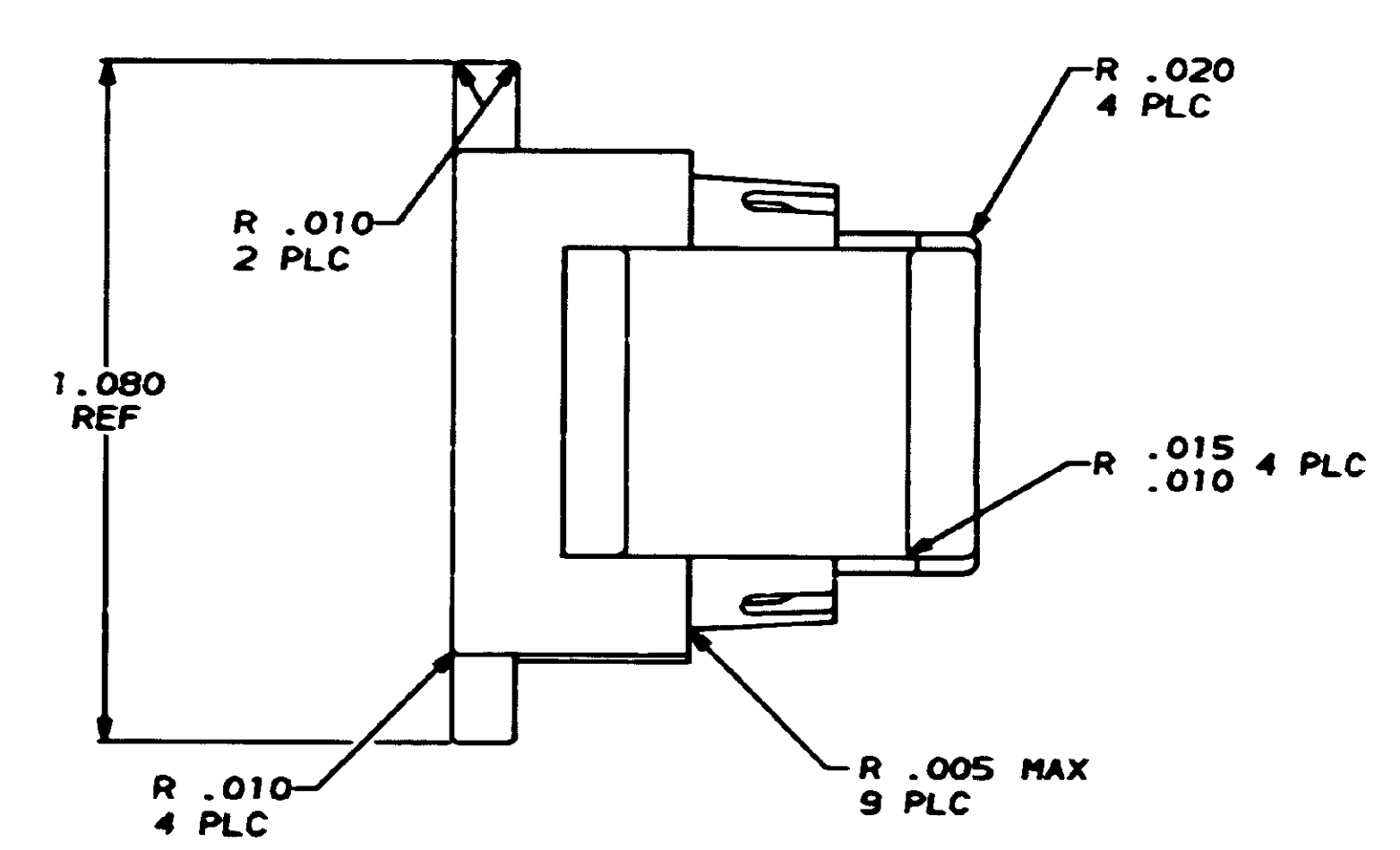
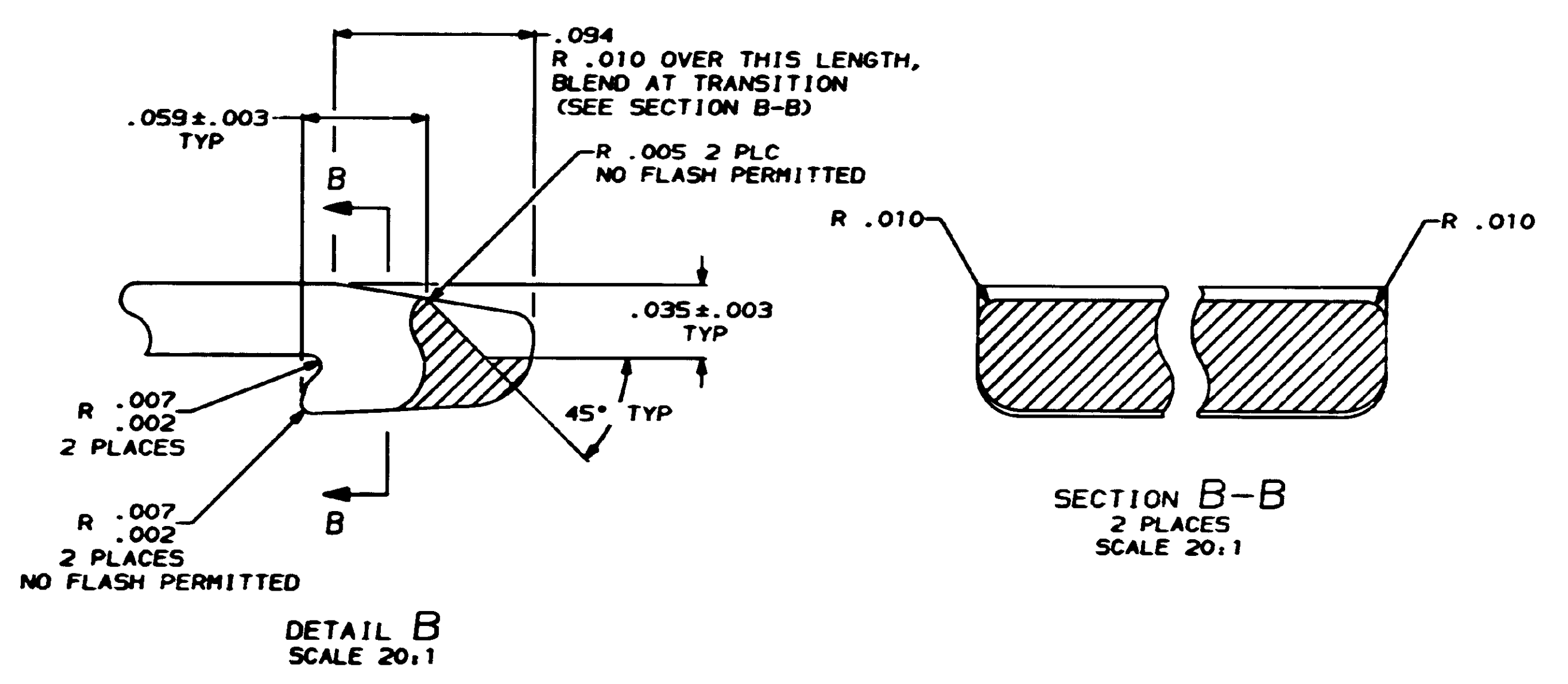
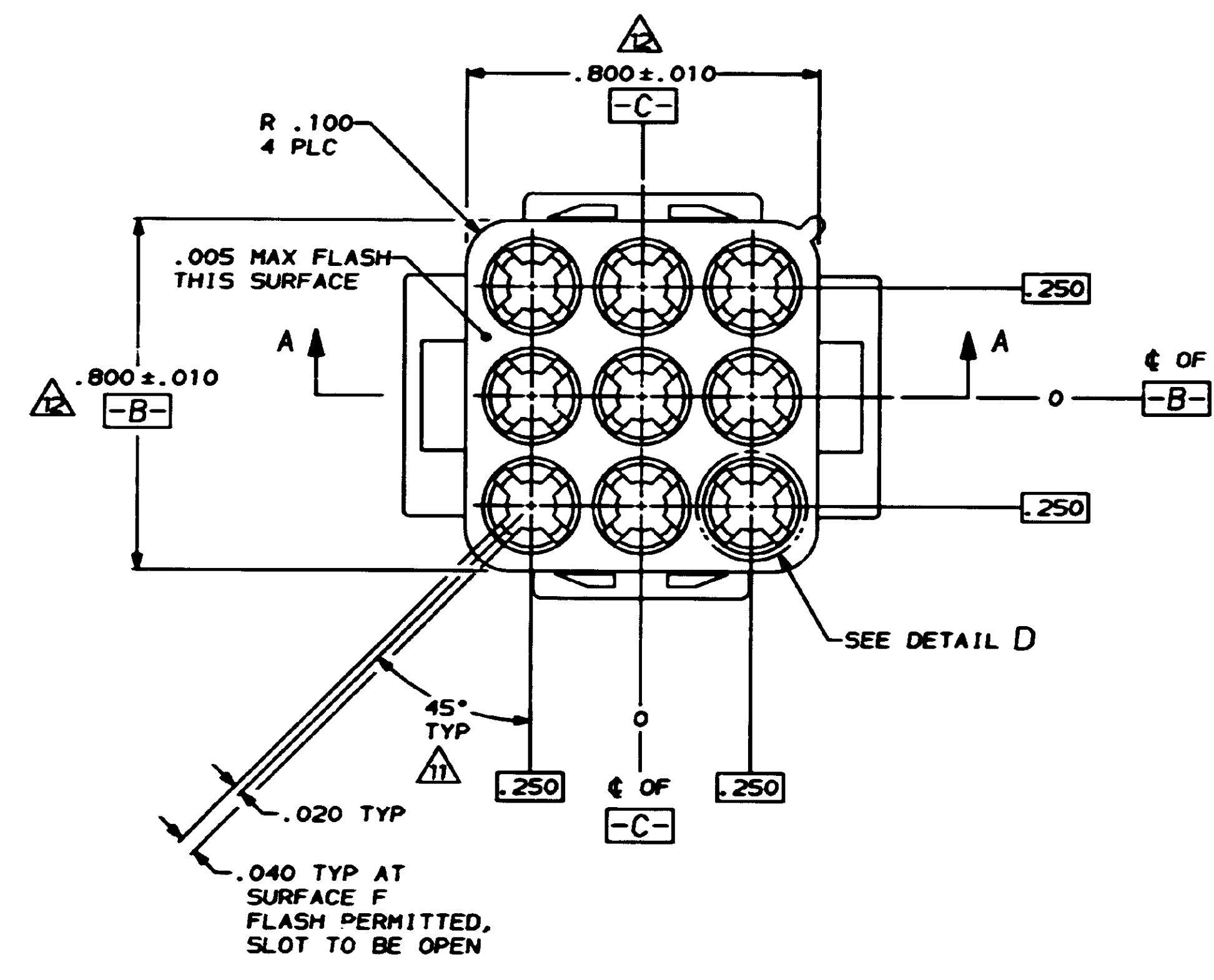
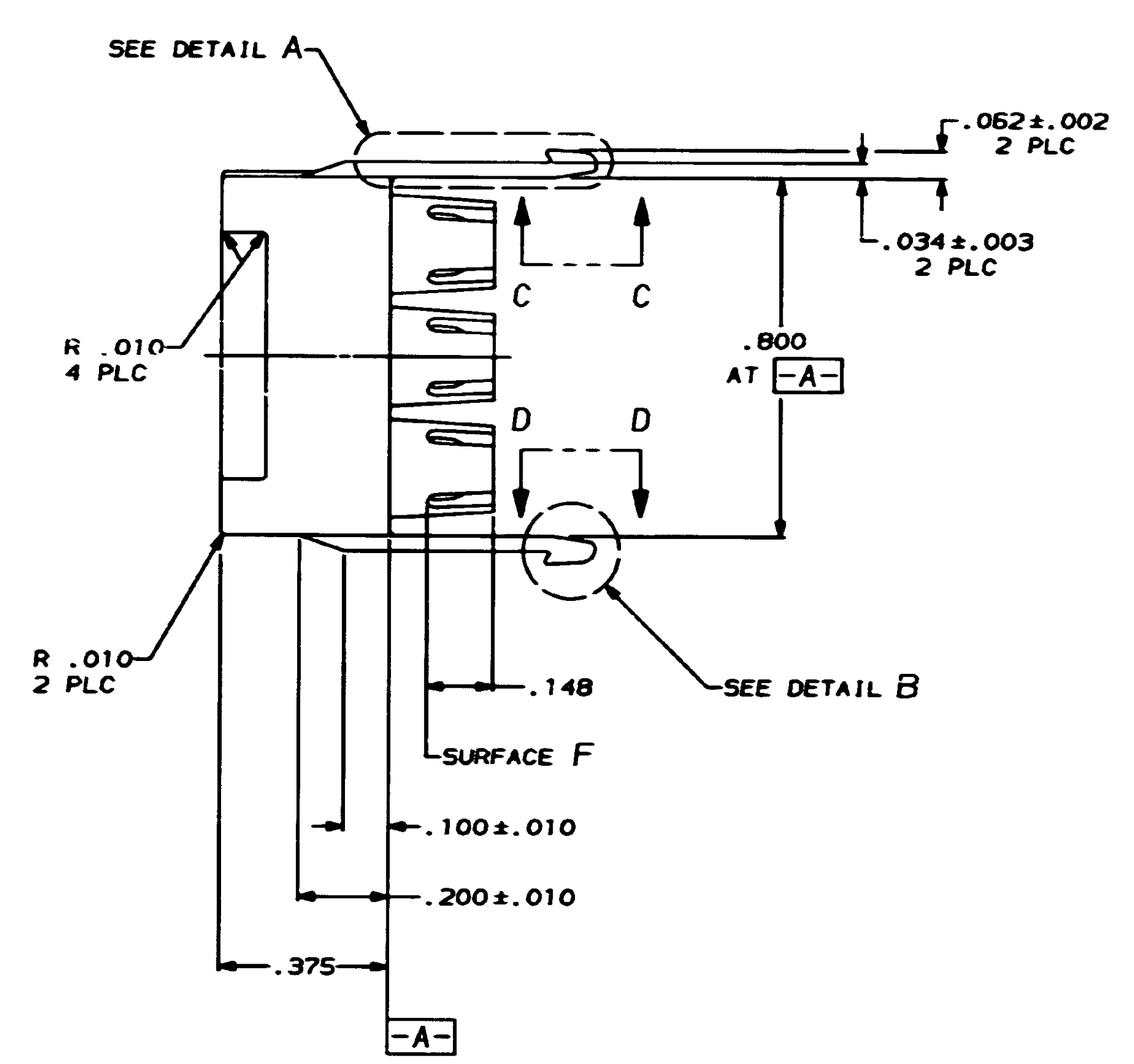
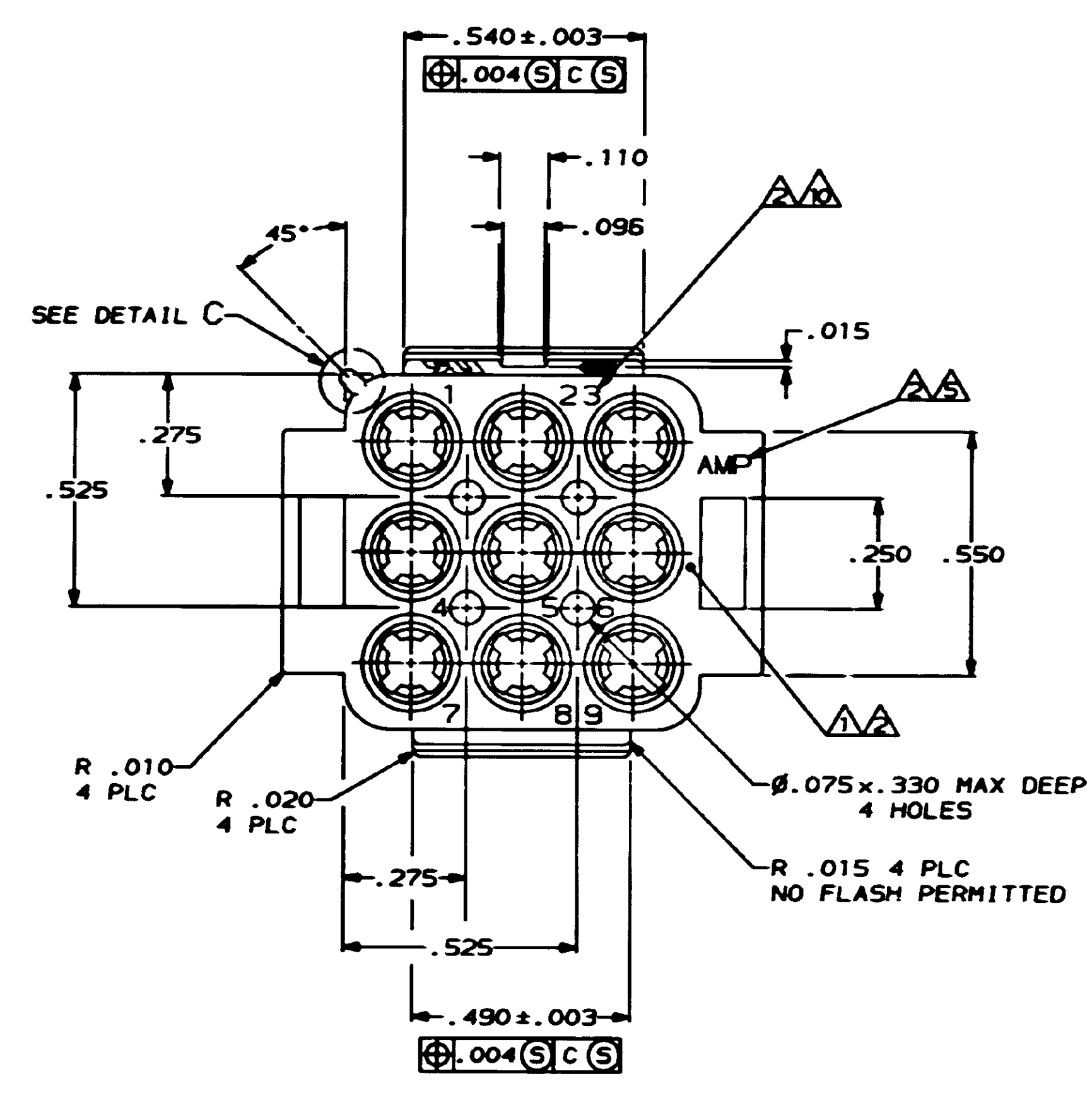


- △ LOCATE MOLD CAVITY IDENTIFICATION THIS SURFACE, .005 HIGH PAD PERMITTED.
- △ CHARACTERS .040 HIGH, RAISED .002-.005 WITH .010-.015 FLAT ON TOP UNLESS OTHERWISE SPECIFIED (REFERENCE).
- 3. PART MUST CONFORM TO AMP SPEC. 115-49001.
- △ MOLDING COMPOUND NYLON, TYPE 6/6, FLM RTD, LUB, NATURAL (BRICK RED), 702926-1.
- △ LOCATE AMP TRADEMARK THIS SURFACE.
- △ NOMINAL CONTROLLING DIMENSIONS WOULD CAUSE THIS DIAMETER TO BE .1895. THIS MAY BE EXCEEDED AS SHOWN IN DETAIL D.
- △ THIS ANGLE MUST BE HELD BETWEEN -A- AND SURFACE F.
- △ PART IS NOT TO BE MOISTURIZED.
- △ UNDERWRITERS RECOGNIZED COMPONENT MARK PER DRAWING 18838 AND CSA CERTIFICATION MARK PER DRAWING 18839 TO BE LOCATED ONCE EACH IN EITHER INDICATED AREA, APPROXIMATELY .090 HIGH, RAISED .002-.005 WITH .010 MIN FLAT ON TOP (REFERENCE).
- △ POSITION CIRCUIT IDENTIFICATION CHARACTERS ADJACENT TO THE INDICATED CAVITIES, PREFERABLY IN THE LOCATIONS SHOWN.
- △ COORDINATE DIMENSION APPLIES FROM CENTER OF ACTUAL FEATURE.
- △ DIMENSION IS AS MOLDED. ADDITIONAL GROWTH OF .015 INCH IS ALLOWED DUE TO SUBSEQUENT MOISTURE ABSORPTION.



770054-1  
PART NUMBER

| REV | DATE    | BY        | CHKD     | APP'D | DESCRIPTION   | ITEM NO |
|-----|---------|-----------|----------|-------|---------------|---------|
| 1   | 1-15-62 | E. SALMON | H. TRILL |       | AMP TRADEMARK |         |
| 2   | 1-15-62 | H. TRILL  |          |       | AMP TRADEMARK |         |
| 3   | 1-15-62 | H. TRILL  |          |       | AMP TRADEMARK |         |
| 4   | 1-15-62 | H. TRILL  |          |       | AMP TRADEMARK |         |
| 5   | 1-15-62 | H. TRILL  |          |       | AMP TRADEMARK |         |
| 6   | 1-15-62 | H. TRILL  |          |       | AMP TRADEMARK |         |
| 7   | 1-15-62 | H. TRILL  |          |       | AMP TRADEMARK |         |
| 8   | 1-15-62 | H. TRILL  |          |       | AMP TRADEMARK |         |
| 9   | 1-15-62 | H. TRILL  |          |       | AMP TRADEMARK |         |
| 10  | 1-15-62 | H. TRILL  |          |       | AMP TRADEMARK |         |
| 11  | 1-15-62 | H. TRILL  |          |       | AMP TRADEMARK |         |
| 12  | 1-15-62 | H. TRILL  |          |       | AMP TRADEMARK |         |
| 13  | 1-15-62 | H. TRILL  |          |       | AMP TRADEMARK |         |
| 14  | 1-15-62 | H. TRILL  |          |       | AMP TRADEMARK |         |
| 15  | 1-15-62 | H. TRILL  |          |       | AMP TRADEMARK |         |
| 16  | 1-15-62 | H. TRILL  |          |       | AMP TRADEMARK |         |
| 17  | 1-15-62 | H. TRILL  |          |       | AMP TRADEMARK |         |
| 18  | 1-15-62 | H. TRILL  |          |       | AMP TRADEMARK |         |
| 19  | 1-15-62 | H. TRILL  |          |       | AMP TRADEMARK |         |
| 20  | 1-15-62 | H. TRILL  |          |       | AMP TRADEMARK |         |
| 21  | 1-15-62 | H. TRILL  |          |       | AMP TRADEMARK |         |
| 22  | 1-15-62 | H. TRILL  |          |       | AMP TRADEMARK |         |
| 23  | 1-15-62 | H. TRILL  |          |       | AMP TRADEMARK |         |
| 24  | 1-15-62 | H. TRILL  |          |       | AMP TRADEMARK |         |
| 25  | 1-15-62 | H. TRILL  |          |       | AMP TRADEMARK |         |
| 26  | 1-15-62 | H. TRILL  |          |       | AMP TRADEMARK |         |
| 27  | 1-15-62 | H. TRILL  |          |       | AMP TRADEMARK |         |
| 28  | 1-15-62 | H. TRILL  |          |       | AMP TRADEMARK |         |
| 29  | 1-15-62 | H. TRILL  |          |       | AMP TRADEMARK |         |
| 30  | 1-15-62 | H. TRILL  |          |       | AMP TRADEMARK |         |
| 31  | 1-15-62 | H. TRILL  |          |       | AMP TRADEMARK |         |
| 32  | 1-15-62 | H. TRILL  |          |       | AMP TRADEMARK |         |
| 33  | 1-15-62 | H. TRILL  |          |       | AMP TRADEMARK |         |
| 34  | 1-15-62 | H. TRILL  |          |       | AMP TRADEMARK |         |
| 35  | 1-15-62 | H. TRILL  |          |       | AMP TRADEMARK |         |
| 36  | 1-15-62 | H. TRILL  |          |       | AMP TRADEMARK |         |
| 37  | 1-15-62 | H. TRILL  |          |       | AMP TRADEMARK |         |
| 38  | 1-15-62 | H. TRILL  |          |       | AMP TRADEMARK |         |
| 39  | 1-15-62 | H. TRILL  |          |       | AMP TRADEMARK |         |
| 40  | 1-15-62 | H. TRILL  |          |       | AMP TRADEMARK |         |
| 41  | 1-15-62 | H. TRILL  |          |       | AMP TRADEMARK |         |
| 42  | 1-15-62 | H. TRILL  |          |       | AMP TRADEMARK |         |
| 43  | 1-15-62 | H. TRILL  |          |       | AMP TRADEMARK |         |
| 44  | 1-15-62 | H. TRILL  |          |       | AMP TRADEMARK |         |
| 45  | 1-15-62 | H. TRILL  |          |       | AMP TRADEMARK |         |
| 46  | 1-15-62 | H. TRILL  |          |       | AMP TRADEMARK |         |
| 47  | 1-15-62 | H. TRILL  |          |       | AMP TRADEMARK |         |
| 48  | 1-15-62 | H. TRILL  |          |       | AMP TRADEMARK |         |
| 49  | 1-15-62 | H. TRILL  |          |       | AMP TRADEMARK |         |
| 50  | 1-15-62 | H. TRILL  |          |       | AMP TRADEMARK |         |
| 51  | 1-15-62 | H. TRILL  |          |       | AMP TRADEMARK |         |
| 52  | 1-15-62 | H. TRILL  |          |       | AMP TRADEMARK |         |
| 53  | 1-15-62 | H. TRILL  |          |       | AMP TRADEMARK |         |
| 54  | 1-15-62 | H. TRILL  |          |       | AMP TRADEMARK |         |
| 55  | 1-15-62 | H. TRILL  |          |       | AMP TRADEMARK |         |
| 56  | 1-15-62 | H. TRILL  |          |       | AMP TRADEMARK |         |
| 57  | 1-15-62 | H. TRILL  |          |       | AMP TRADEMARK |         |
| 58  | 1-15-62 | H. TRILL  |          |       | AMP TRADEMARK |         |
| 59  | 1-15-62 | H. TRILL  |          |       | AMP TRADEMARK |         |
| 60  | 1-15-62 | H. TRILL  |          |       | AMP TRADEMARK |         |
| 61  | 1-15-62 | H. TRILL  |          |       | AMP TRADEMARK |         |
| 62  | 1-15-62 | H. TRILL  |          |       | AMP TRADEMARK |         |
| 63  | 1-15-62 | H. TRILL  |          |       | AMP TRADEMARK |         |
| 64  | 1-15-62 | H. TRILL  |          |       | AMP TRADEMARK |         |
| 65  | 1-15-62 | H. TRILL  |          |       | AMP TRADEMARK |         |
| 66  | 1-15-62 | H. TRILL  |          |       | AMP TRADEMARK |         |
| 67  | 1-15-62 | H. TRILL  |          |       | AMP TRADEMARK |         |
| 68  | 1-15-62 | H. TRILL  |          |       | AMP TRADEMARK |         |
| 69  | 1-15-62 | H. TRILL  |          |       | AMP TRADEMARK |         |
| 70  | 1-15-62 | H. TRILL  |          |       | AMP TRADEMARK |         |
| 71  | 1-15-62 | H. TRILL  |          |       | AMP TRADEMARK |         |
| 72  | 1-15-62 | H. TRILL  |          |       | AMP TRADEMARK |         |
| 73  | 1-15-62 | H. TRILL  |          |       | AMP TRADEMARK |         |
| 74  | 1-15-62 | H. TRILL  |          |       | AMP TRADEMARK |         |
| 75  | 1-15-62 | H. TRILL  |          |       | AMP TRADEMARK |         |
| 76  | 1-15-62 | H. TRILL  |          |       | AMP TRADEMARK |         |
| 77  | 1-15-62 | H. TRILL  |          |       | AMP TRADEMARK |         |
| 78  | 1-15-62 | H. TRILL  |          |       | AMP TRADEMARK |         |
| 79  | 1-15-62 | H. TRILL  |          |       | AMP TRADEMARK |         |
| 80  | 1-15-62 | H. TRILL  |          |       | AMP TRADEMARK |         |
| 81  | 1-15-62 | H. TRILL  |          |       | AMP TRADEMARK |         |
| 82  | 1-15-62 | H. TRILL  |          |       | AMP TRADEMARK |         |
| 83  | 1-15-62 | H. TRILL  |          |       | AMP TRADEMARK |         |
| 84  | 1-15-62 | H. TRILL  |          |       | AMP TRADEMARK |         |
| 85  | 1-15-62 | H. TRILL  |          |       | AMP TRADEMARK |         |
| 86  | 1-15-62 | H. TRILL  |          |       | AMP TRADEMARK |         |
| 87  | 1-15-62 | H. TRILL  |          |       | AMP TRADEMARK |         |
| 88  | 1-15-62 | H. TRILL  |          |       | AMP TRADEMARK |         |
| 89  | 1-15-62 | H. TRILL  |          |       | AMP TRADEMARK |         |
| 90  | 1-15-62 | H. TRILL  |          |       | AMP TRADEMARK |         |
| 91  | 1-15-62 | H. TRILL  |          |       | AMP TRADEMARK |         |
| 92  | 1-15-62 | H. TRILL  |          |       | AMP TRADEMARK |         |
| 93  | 1-15-62 | H. TRILL  |          |       | AMP TRADEMARK |         |
| 94  | 1-15-62 | H. TRILL  |          |       | AMP TRADEMARK |         |
| 95  | 1-15-62 | H. TRILL  |          |       | AMP TRADEMARK |         |
| 96  | 1-15-62 | H. TRILL  |          |       | AMP TRADEMARK |         |
| 97  | 1-15-62 | H. TRILL  |          |       | AMP TRADEMARK |         |
| 98  | 1-15-62 | H. TRILL  |          |       | AMP TRADEMARK |         |
| 99  | 1-15-62 | H. TRILL  |          |       | AMP TRADEMARK |         |
| 100 | 1-15-62 | H. TRILL  |          |       | AMP TRADEMARK |         |

THIS DRAWING IS THE PROPERTY OF AMP INC. IT IS TO BE USED ONLY FOR THE PURPOSES SPECIFIED IN THE DRAWING. IT IS NOT TO BE REPRODUCED OR TRANSMITTED IN ANY FORM OR BY ANY MEANS, ELECTRONIC OR MECHANICAL, INCLUDING PHOTOCOPYING, RECORDING, OR BY ANY INFORMATION STORAGE AND RETRIEVAL SYSTEM, WITHOUT THE WRITTEN PERMISSION OF AMP INC.