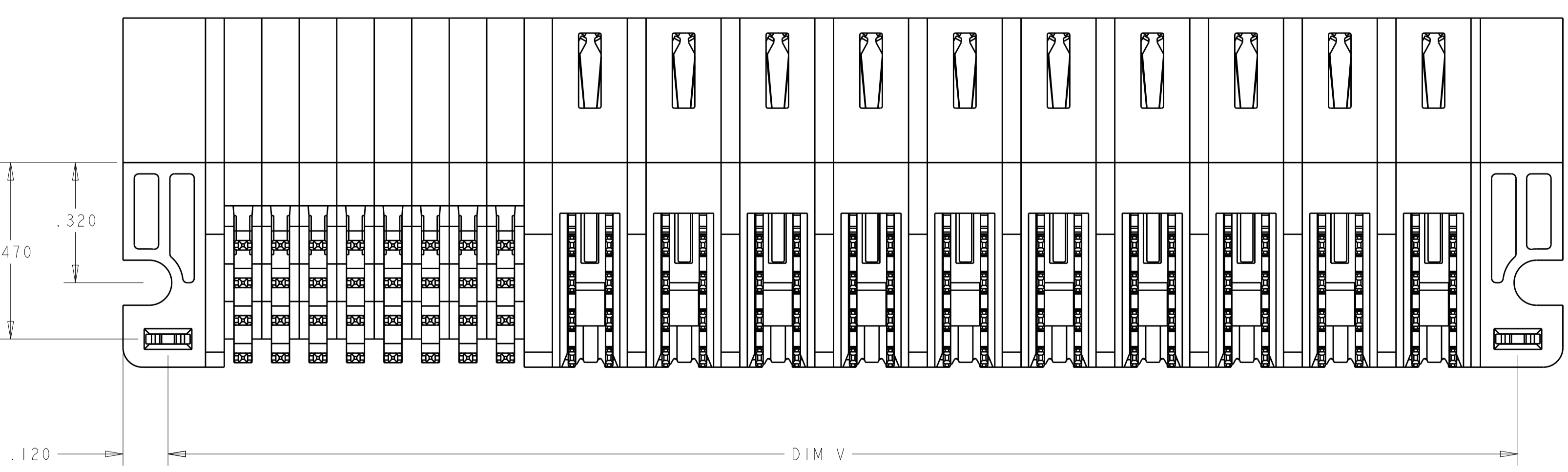
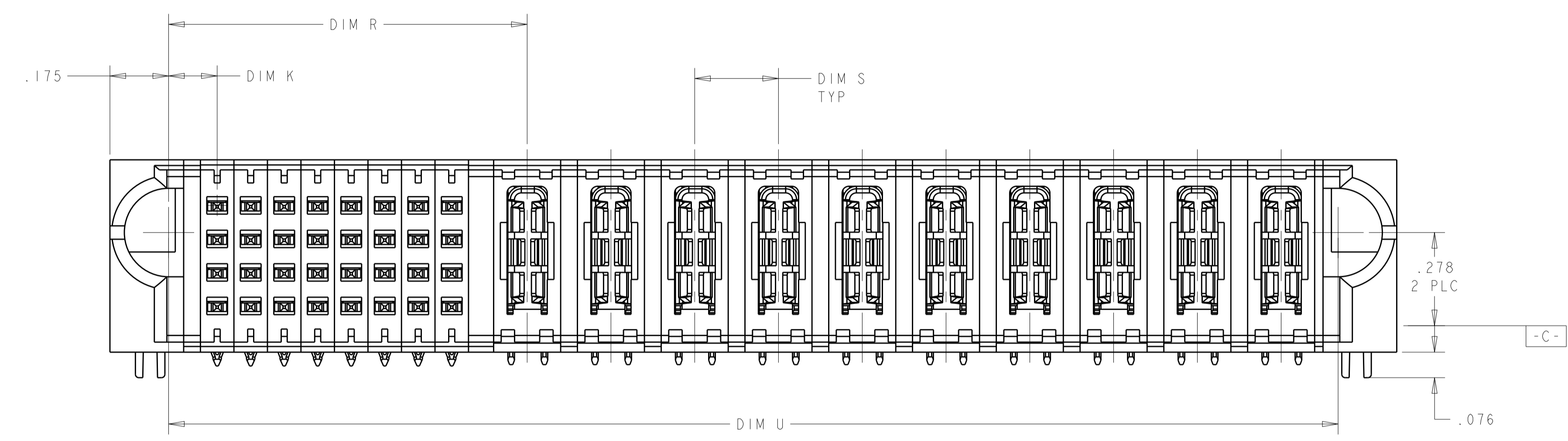
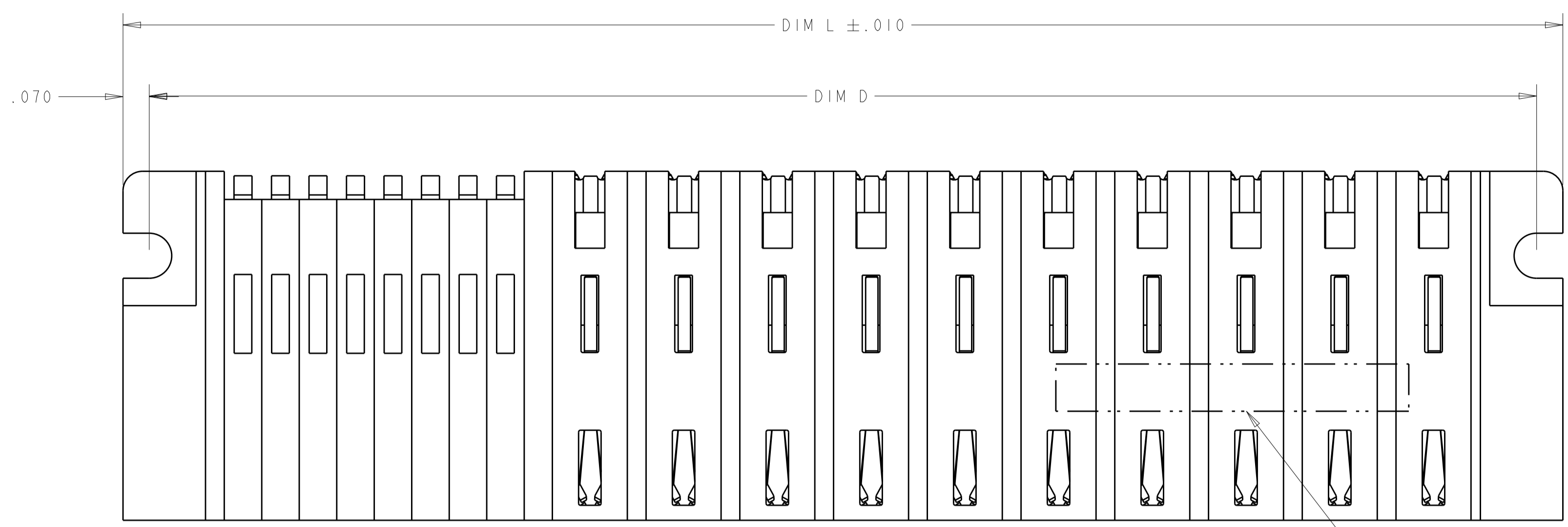
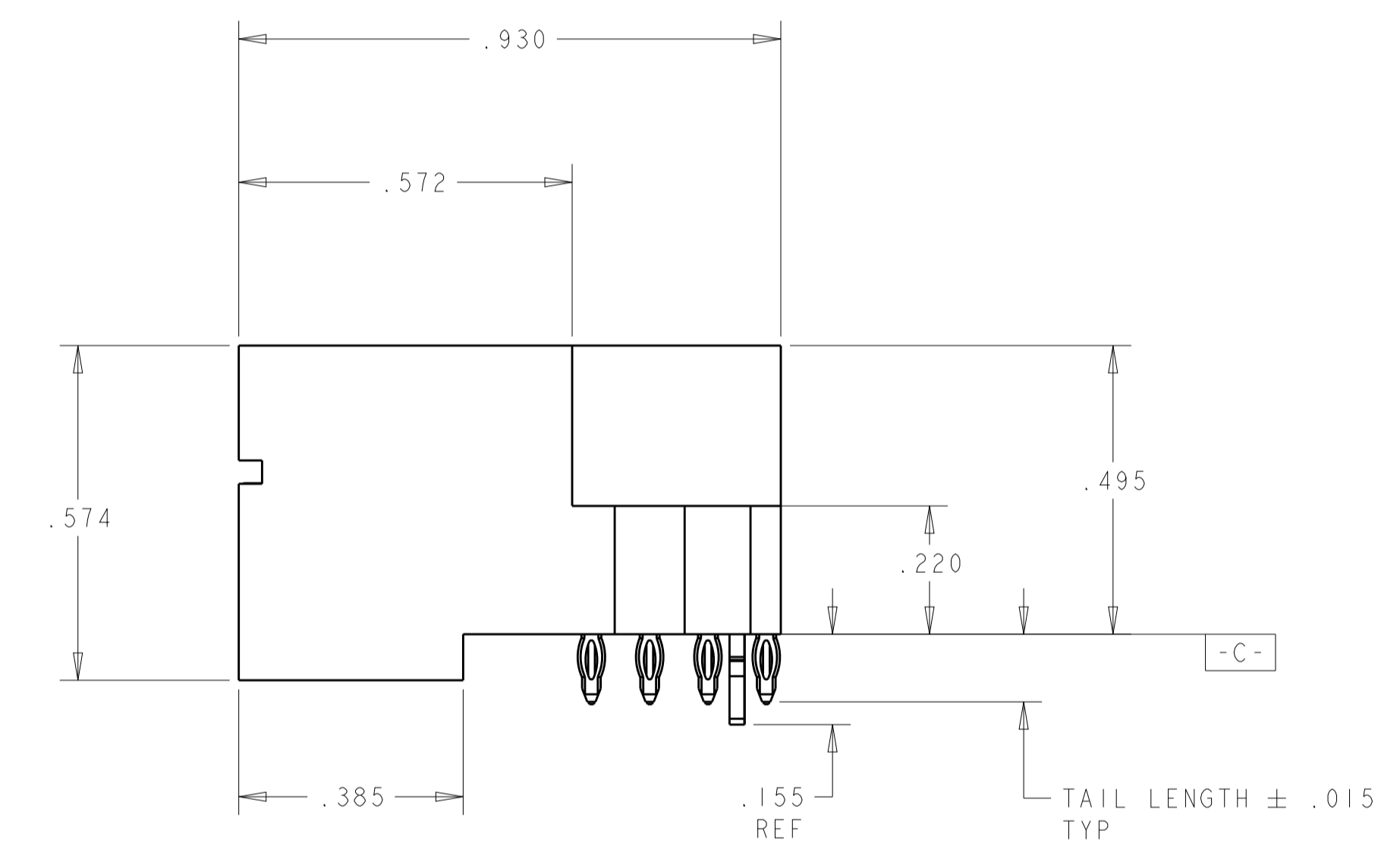


LOC	DIST	REVISIONS					
		P	LTM	DESCRIPTION	DATE	DWN	APVD
ES	00						
		C2		ADD NEW PART 6450841-6	19MAY2011	AY	SZ
		C3		ADD NEW DASH NUMBER -8	22APR2014	AL	SZ
		C5		ADD NEW DASH NUMBER -9	21JUN2014	CZ	SZ



- 1 "AMP", PART NUMBER, AND DATECODE TO BE MARKED IN AREA SHOWN. PARTS UNDER 2.00 LONG MAY BE MARKED ON BOTH SIDES.
- 2 MATERIAL: HOUSING - GLASS FILLED HIGH TEMP THERMO PLASTIC, BLACK, UL94 V-0  
SIGNAL CONTACT - COPPER ALLOY  
POWER CONTACT - HIGH CONDUCTIVITY COPPER ALLOY
- 3 CONTACT PLATING: NOBLE METAL PLATING ON CONTACT FUNCTIONAL AREA OF POWER AND SIGNAL CONTACTS
- 4 MECHANICAL CONNECTOR KEEP OUT ZONE.
- 5 DATUM AND BASIC DIMENSIONS ESTABLISHED BY CUSTOMER.
- 6 PCB - HOLE DIAMETERS ARE FINISHED HOLE SIZE.
- 7 PCB - .0453±.0010 DRILLED HOLES PLATED WITH .0003 MIN Sn OVER .001 TO .003 Cu PLATING TO ACHIEVE A .040 DIA HOLE.
- 9 FOR CONFIGURATION S/LP/P, PLEASE SEE SHEET 2.



C4	DIM T	DIM W	DIM V	DIM R	DIM U	DIM S	DIM D	DIM L	DIM K	DESCRIPTION	PART NUMBER
-	-	2.200	.695	2.090	.300	2.300	2.440	.095		20S + 5ACP	6450841-9
-	-	2.250	.570	2.140	.200	2.350	2.490	.095		16S + 8HDP	6450841-8
-	-	2.700	-	2.590	-	2.800	2.940	.095		100S	6450841-6
-	-	1.800	.770	1.690	.250	1.900	2.040	.095		24S + 4P	6450841-5
-	-	.600	-	.490	-	.700	.840	.095		16S	6450841-4
9	.115	1.4525	4.830	1.775	4.720	.250	4.930	5.070	.095	52S + 2LP + 12P	6450841-2
-	-	3.600	1.070	3.490	.250	3.700	3.840	.145		32S + 10P	6450841-1
										DESCRIPTION	PART NUMBER

THIS DRAWING IS A CONTROLLED DOCUMENT.

DIMENSIONS: INCHES

TOLERANCES UNLESS OTHERWISE SPECIFIED:

0 PLC	±
1 PLC	±.13
2 PLC	±.13
3 PLC	±.0020
4 PLC	±
ANGLES	±.7°

MATERIAL: - FINISH: -

APPROVED: VINCENT QIAO (15AUG2008), SUNY ZHAO (15AUG2008), S. YAO (15AUG2008)

NAME: RIGHT ANGLE HEADER W/ LP CONTACT AND SHORT END MODULES MULTI-BEAM XLE

PRODUCT SPEC: 108-2292

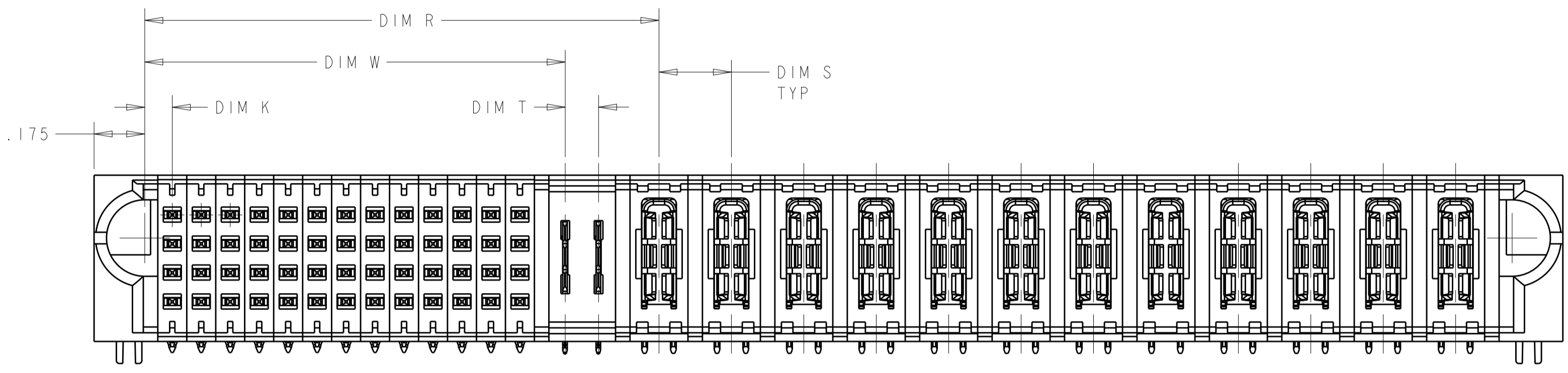
APPLICATION SPEC: 114-13038

SIZE: A100779 C=6450841

SCALE: 1:1 SHEET 1 OF 6 REV: C5

THIS DRAWING IS UNPUBLISHED. RELEASED FOR PUBLICATION 20  
 COPYRIGHT 20 BY - ALL RIGHTS RESERVED.

LOC	DIST	REVISIONS					
		P	LTN	DESCRIPTION	DATE	DWN	APVD
ES	00	-	-	SEE SHEET 1	-	-	-



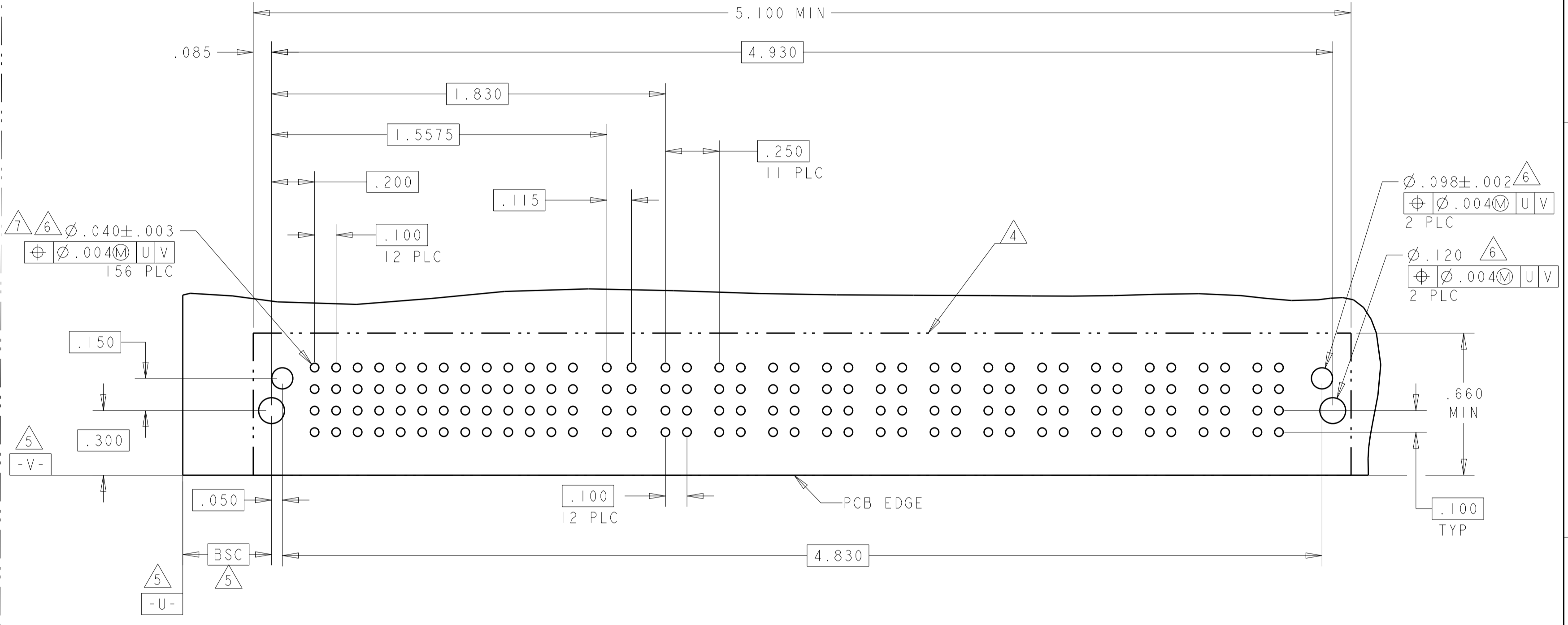
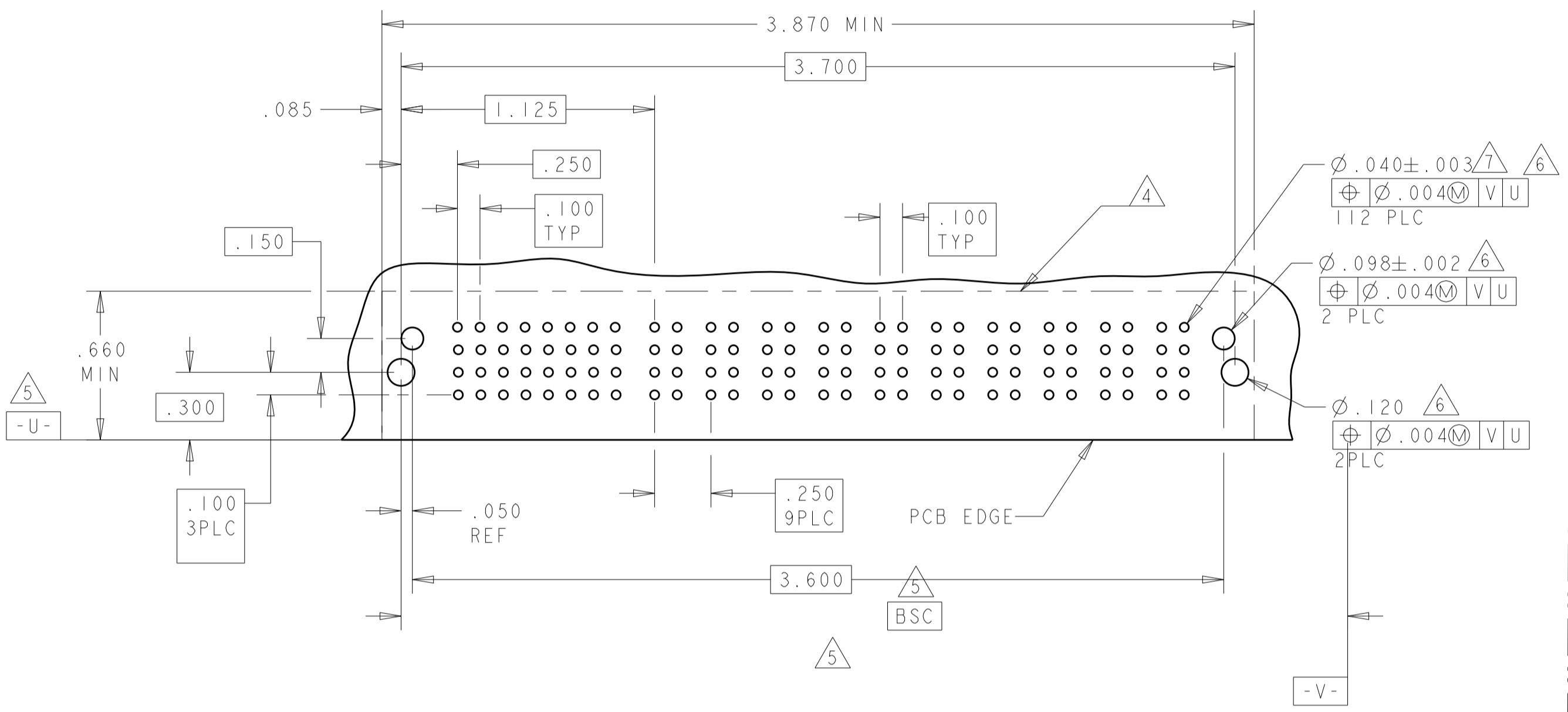
FOR CONFIGURATION S/LP/P, OTHER DIMENSIONS PLEASE SEE SHEET 1

THIS DRAWING IS A CONTROLLED DOCUMENT.		DWN	VINCENT QIAO	15AUG2008	TE Connectivity				
DIMENSIONS:		CHK	SUNY ZHAO	15AUG2008					
INCHES		APVD	S. YAO	15AUG2008					
0 PLC ±. 1 PLC ±. 2 PLC ±.13 3 PLC ±0.0020 4 PLC ±. ANGLES ±2° FINISH		TOLERANCES UNLESS OTHERWISE SPECIFIED: PRODUCT SPEC 108-2292 APPLICATION SPEC 114-13038 WEIGHT		NAME RIGHT ANGLE HEADER W/ LP CONTACT AND SHORT END MODULES MULTI-BEAM XLE					
MATERIAL		SIZE		CAGE CODE		DRAWING NO		RESTRICTED TO	
		A100779		C=6450841					
CUSTOMER DRAWING		SCALE		SHEET		OF		REV	
		1:1		2		6		C5	

LOC	DIST	REVISIONS					
		P	LTN	DESCRIPTION	DATE	OWN	APVD
ES	00	-	-	SEE SHEET 1	-	-	-

PART NUMBER	ROWS	SIGNAL								POWER									
		1	2	3	4	5	6	7	8	P1	P2	P3	P4	P5	P6	P7	P8	P9	P10
6450841-1	D C B A	Z5	Z5	Z5	Z5	Z5	Z5	Z5	Z5	TT	TT	TT	TT	TT	TT	TT	TT	TT	TT
		Y5	Y5	Y5	Y1	Y1	Y5	Y5	Y5										
		R5	R5	R5	R1	R1	R5	R5	R5										
		O5	O5	O5	O5	O5	O5	O5											
32S + 10P																			

PART NUMBER	ROWS	SIGNAL													POWER													
		1	2	3	4	5	6	7	8	9	10	11	12	13	LP1	LP2	P1	P2	P3	P4	P5	P6	P7	P8	P9	P10	P11	P12
6450841-2	D C B A	Z5	Z5	Z5	Z5	Z5	Z5	Z5	Z5	Z5	Z5	Z5	Z5	Z5	LT	LT	TT	TT	TT	TT	TT	TT	TT	TT	TT	TT	TT	TT
		Y5	Y5	Y5	Y5	Y5	Y5	Y5	Y5	Y5	Y5	Y5	Y5	Y5														
		R5	R5	R5	R5	R5	R5	R5	R5	R5	R5	R5	R5	R5														
		O5	O5	O5	O5	O5	O5	O5	O5	O5	O5	O5	O5															
52S + 2LP + 12P																												



DESCRIPTION	IDENTIFIER
HOLD DOWN	HD
.120 SIGNAL MLBF PRESS FIT CON, ROW A	O1
.120 SIGNAL MLBF PRESS FIT CON, ROW B	R1
.120 SIGNAL MLBF PRESS FIT CON, ROW C	Y1
.120 SIGNAL MLBF PRESS FIT CON, ROW D	Z1
.120 SIGNAL PRESS FIT CON, ROW A,STD	O5
.120 SIGNAL PRESS FIT CON, ROW B,STD	R5
.120 SIGNAL PRESS FIT CON, ROW C,STD	Y5
.120 SIGNAL PRESS FIT CON, ROW D,STD	Z5
.120 PRESS FIT LOW POWER CON	LT
.120 PRESS FIT POWER CON	TT

THIS DRAWING IS A CONTROLLED DOCUMENT. DWG: VINCENT QIAO 15AUG2008  
 CHK: SUNY ZHAO 15AUG2008  
 APVD: S. YAO 15AUG2008

STE TE Connectivity

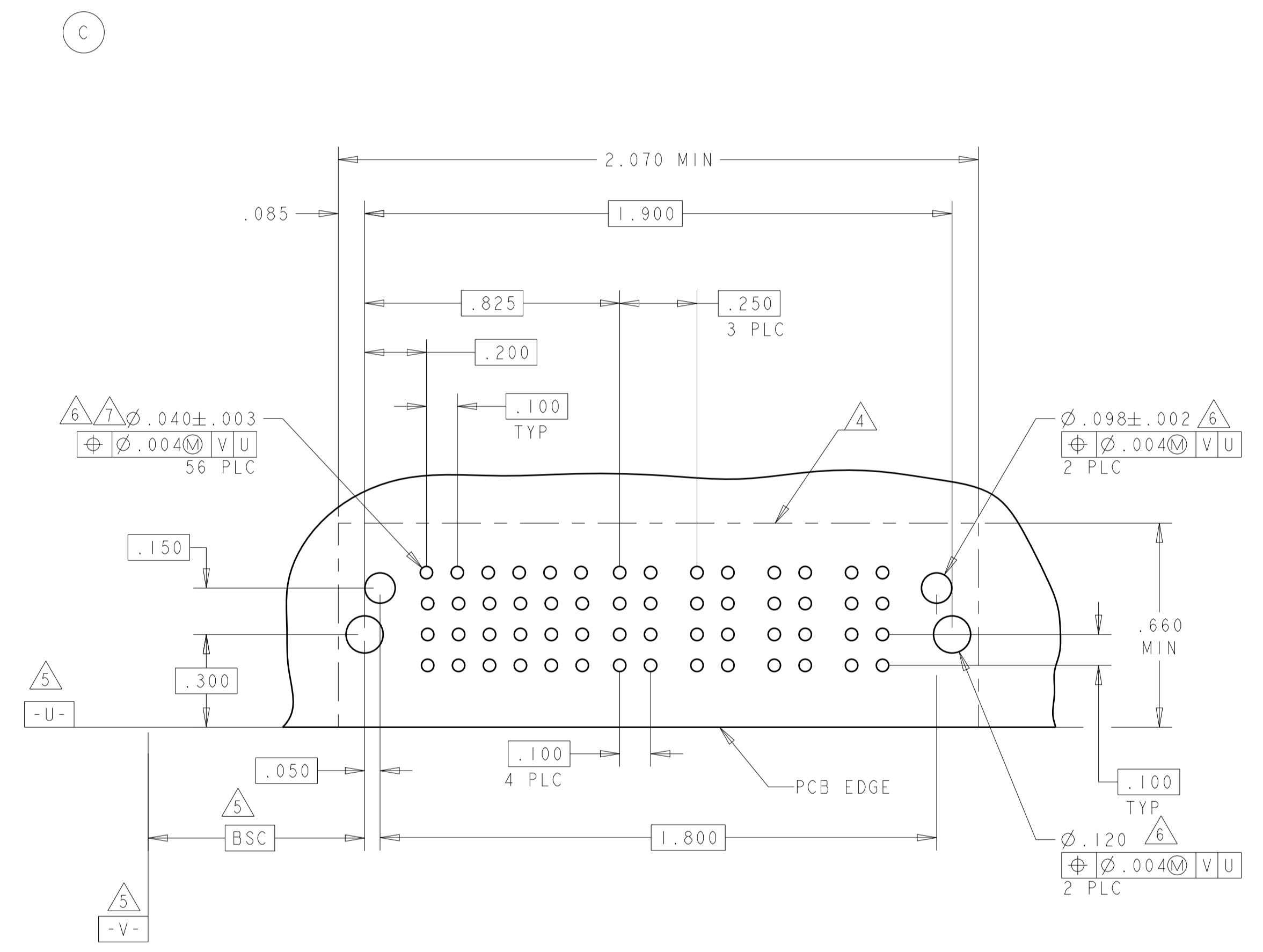
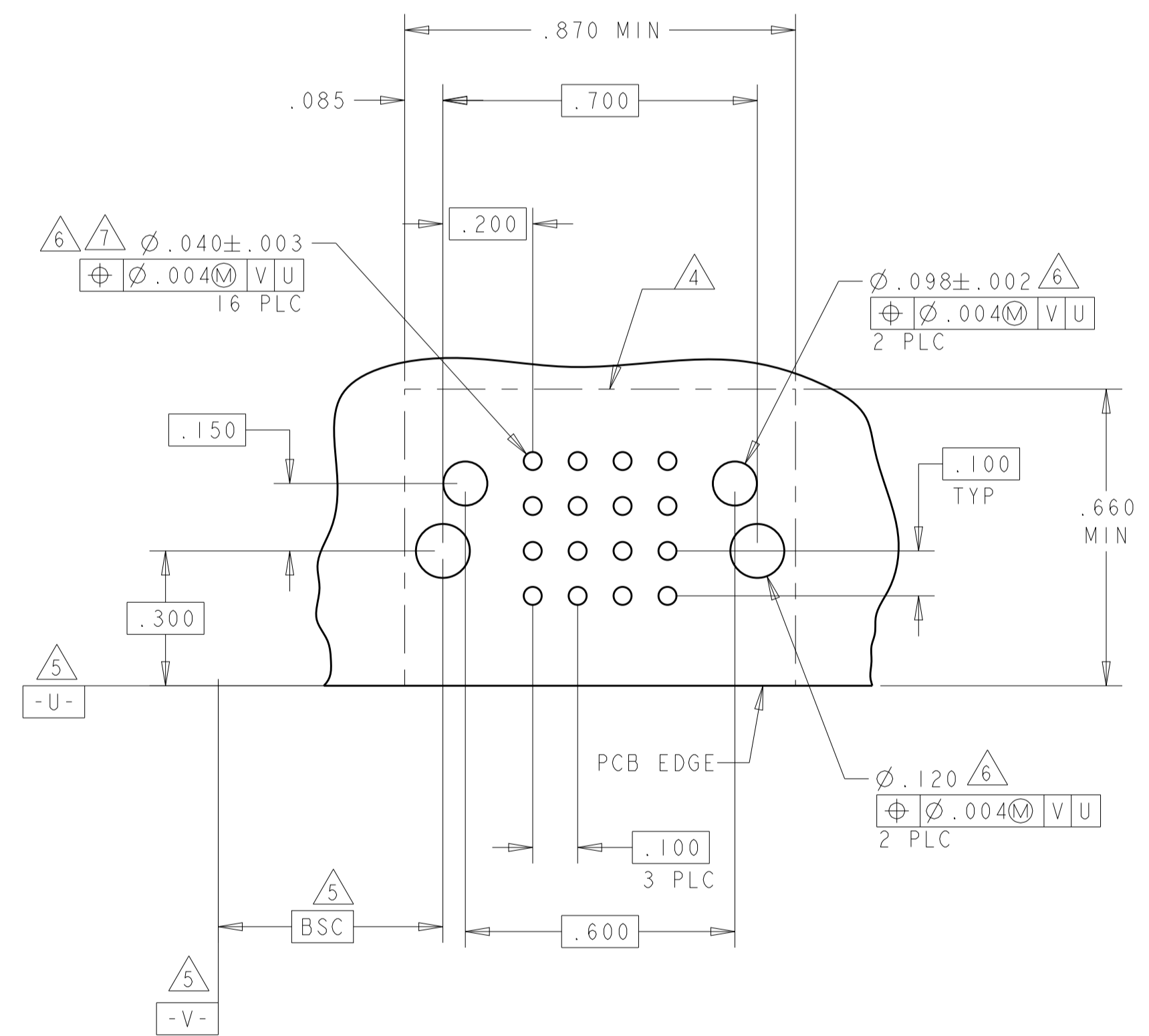
RIGHT ANGLE HEADER  
 W/ LP CONTACT AND SHORT END MODULES  
 MULTI-BEAM XLE

SIZE: A1 100779 C=6450841  
 SCALE: 1:1 SHEET 3 OF 6 REV: C5

LOC	DIST	REVISIONS			
P	LTN	DESCRIPTION	DATE	DWN	APVD
ES	00	SEE SHEET 1			

PART NUMBER	ROWS	SIGNAL			
		1	2	3	4
6450841-4	D	Z5	Z5	Z5	Z5
	C	Y5	Y5	Y5	Z5
	B	R5	R5	R5	R5
	A	O5	O5	O5	O5

PART NUMBER	ROWS	SIGNAL						POWER			
		1	2	3	4	5	6	P1	P2	P3	P4
6450841-5	D	Z5	Z5	Z5	Z5	Z5	Z5	TT	TT	TT	TT
	C	Y5	Y5	Y5	Y5	Y5	Y5				
	B	R5	R5	R5	R5	R5	R5				
	A	O5	O5	O5	O5	O5	O5				



THIS DRAWING IS A CONTROLLED DOCUMENT.

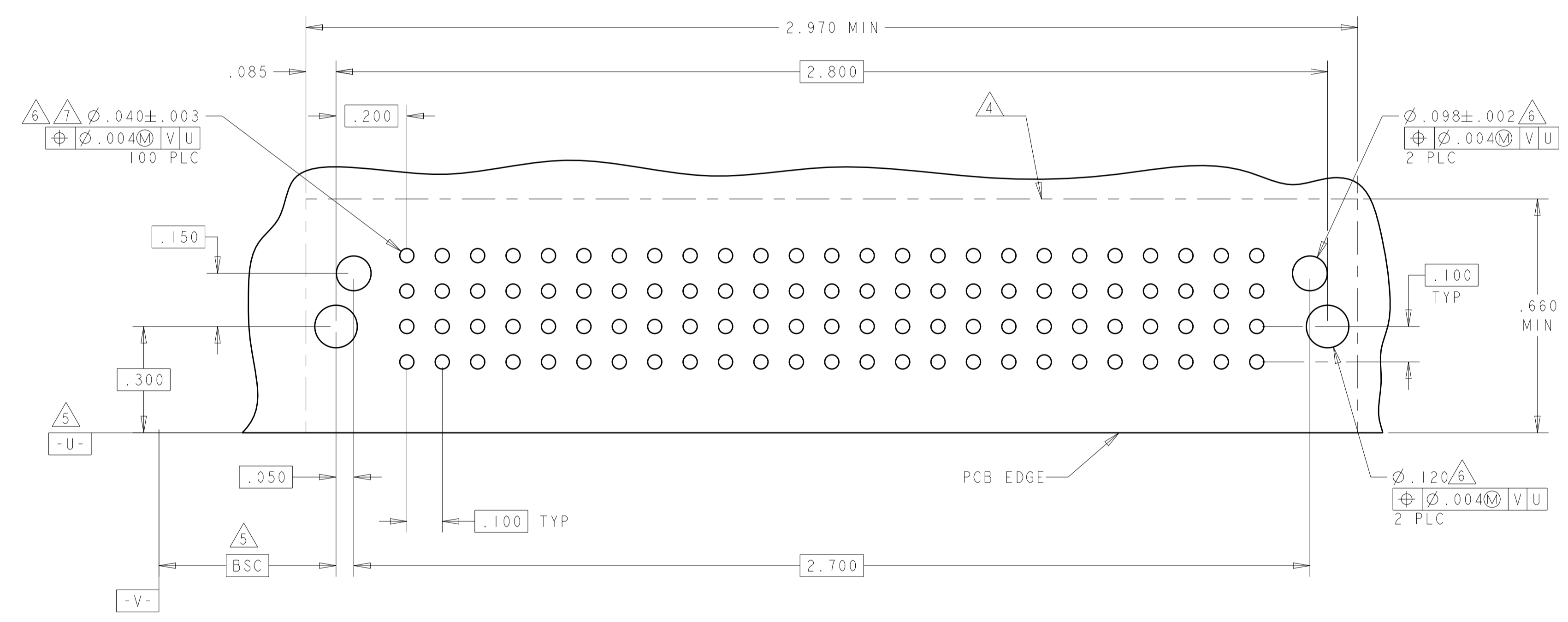
DIMENSIONS: INCHES	TOLERANCES UNLESS OTHERWISE SPECIFIED: 0 PLC ± 2 PLC ±.13 3 PLC ±0.0020 4 PLC ± ANGLES ±7° FINISH	DWN VINCENT QIAO 15AUG2008 CHK SUNY ZHAO 15AUG2008 APVD S. YAO 15AUG2008	NAME RIGHT ANGLE HEADER W/ LP CONTACT AND SHORT END MODULES MULTI-BEAM XLE
MATERIAL		PRODUCT SPEC 108-2292 APPLICATION SPEC 114-13038 WEIGHT	SIZE CAGE CODE DRAWING NO A100779C=6450841
CUSTOMER DRAWING		SCALE 1:1	SHEET 4 OF 6 REV C5

4805 (3/11)

LOC	DIST	REVISIONS					
		P	LTN	DESCRIPTION	DATE	DMN	APVD
ES	00	-	-	SEE SHEET 1	-	-	-

PART NUMBER	ROWS	SIGNAL																								HD	
		1	2	3	4	5	6	7	8	9	10	11	12	13	14	15	16	17	18	19	20	21	22	23	24		25
6450841-6	D	Z5	Z5	Z5	Z5	Z5	Z5	Z5	Z5	Z5	Z5	Z5	Z5	Z5	Z5	Z5	Z5	Z5	Z5	Z5	Z5	Z5	Z5	Z5	Z5	Z5	
	C	Y5	Y5	Y5	Y5	Y5	Y5	Y5	Y5	Y5	Y5	Y5	Y5	Y5	Y5	Y5	Y5	Y5	Y5	Y5	Y5	Y5	Y5	Y5	Y5	Y5	
	B	R5	R5	R5	R5	R5	R5	R5	R5	R5	R5	R5	R5	R5	R5	R5	R5	R5	R5	R5	R5	R5	R5	R5	R5	R5	
	A	HD	O5	O5	O5	O5	O5	O5	O5	O5	O5	O5	O5	O5	O5	O5	O5	O5	O5	O5	O5	O5	O5	O5	O5	O5	HD

100S



THIS DRAWING IS A CONTROLLED DOCUMENT.		DMN VINCENT QIAO 15AUG2008	TE Connectivity
DIMENSIONS: INCHES		CHK SUNY ZHAO 15AUG2008	
TOLERANCES UNLESS OTHERWISE SPECIFIED:		APVD S. YAO 15AUG2008	NAME
0 PLC ±.010		PRODUCT SPEC	RIGHT ANGLE HEADER
1 PLC ±.013		APPLICATION SPEC	W/ LP CONTACT AND SHORT END MODULES
2 PLC ±0.0020		RESTRICTED TO	MULTI-BEAM XLE
3 PLC ±.0020		SIZE CAGE CODE DRAWING NO	A100779C=6450841
4 PLC ±.0020		WEIGHT	-
ANGLES ±2°		CUSTOMER DRAWING	SCALE 1:1 SHEET 5 OF 6 REV C5
FINISH			

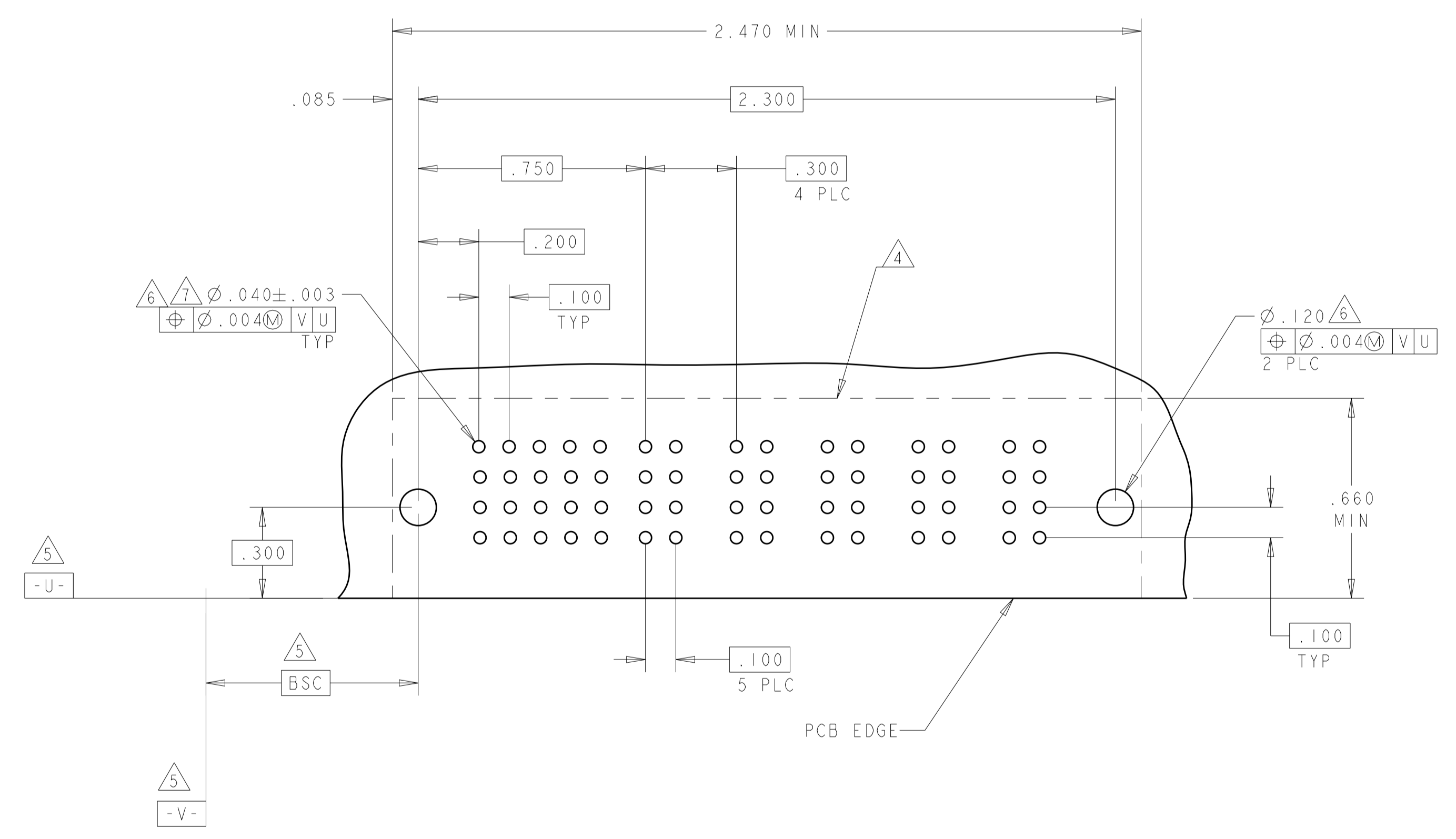
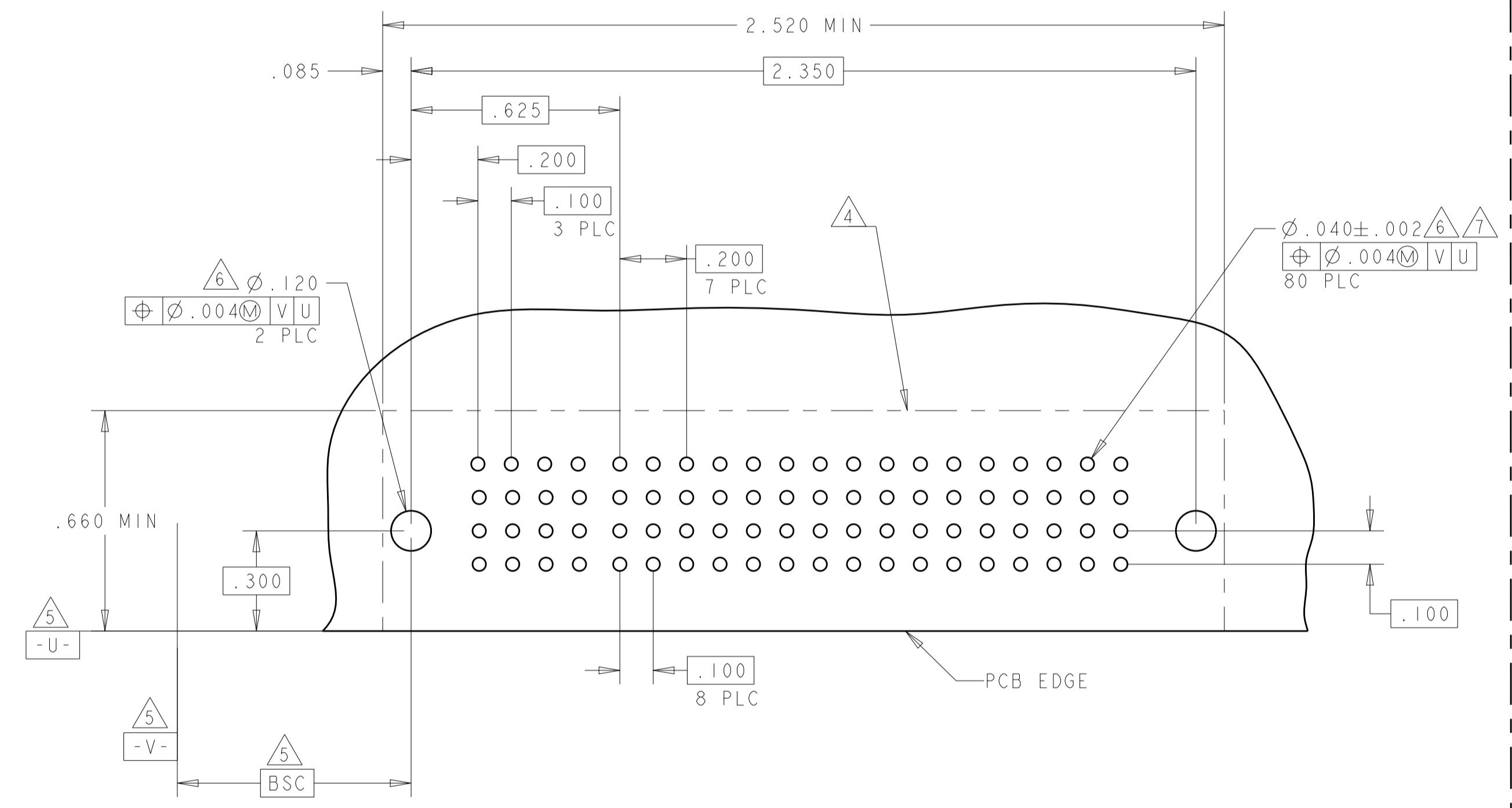
LOC	DIST	REVISIONS			
P	LTN	DESCRIPTION	DATE	DMN	APVD
ES	00	SEE SHEET 1			

PART NUMBER	ROWS	SIGNAL				POWER								
		1	2	3	4	P1	P2	P3	P4	P5	P6	P7	P8	
6450841-8	D	Z5	Z5	Z5	Z5	TT	TT	TT	TT	TT	TT	TT	TT	TT
	C	Y5	Y5	Y5	Y5	TT	TT	TT	TT	TT	TT	TT	TT	TT
	B	R5	R5	R5	R5	TT	TT	TT	TT	TT	TT	TT	TT	TT
	A	O5	O5	O5	O5									

16S + 8HDP

PART NUMBER	ROWS	SIGNAL					POWER				
		1	2	3	4	5	P1	P2	P3	P4	P5
6450841-9	D	Z5	Z5	Z5	Z5	Z1					
	C	Y5	Y5	Y5	Y5	Y1	TT	TT	TT	TT	TT
	B	R5	R5	R5	R5	R1					
	A	O5	O5	O5	O5	O1					

20S + 5ACP



THIS DRAWING IS A CONTROLLED DOCUMENT.

DIMENSIONS: INCHES	TOLERANCES UNLESS OTHERWISE SPECIFIED: 0 PLC ±. 2 PLC ±.13 3 PLC ±0.0020 4 PLC ±. ANGLES ±2°	FINISH	DMN VINCENT QIAO 15AUG2008 CHK SUNY ZHAO 15AUG2008 APVD S. YAO 15AUG2008	NAME RIGHT ANGLE HEADER W/ LP CONTACT AND SHORT END MODULES MULTI-BEAM XLE
MATERIAL	FINISH	WEIGHT	PRODUCT SPEC 108-2292 APPLICATION SPEC 114-13038	SIZE CAGE CODE DRAWING NO A100779C=6450841
CUSTOMER DRAWING			SCALE 1:1	SHEET 6 OF 6 REV C5

4805 (3/11)