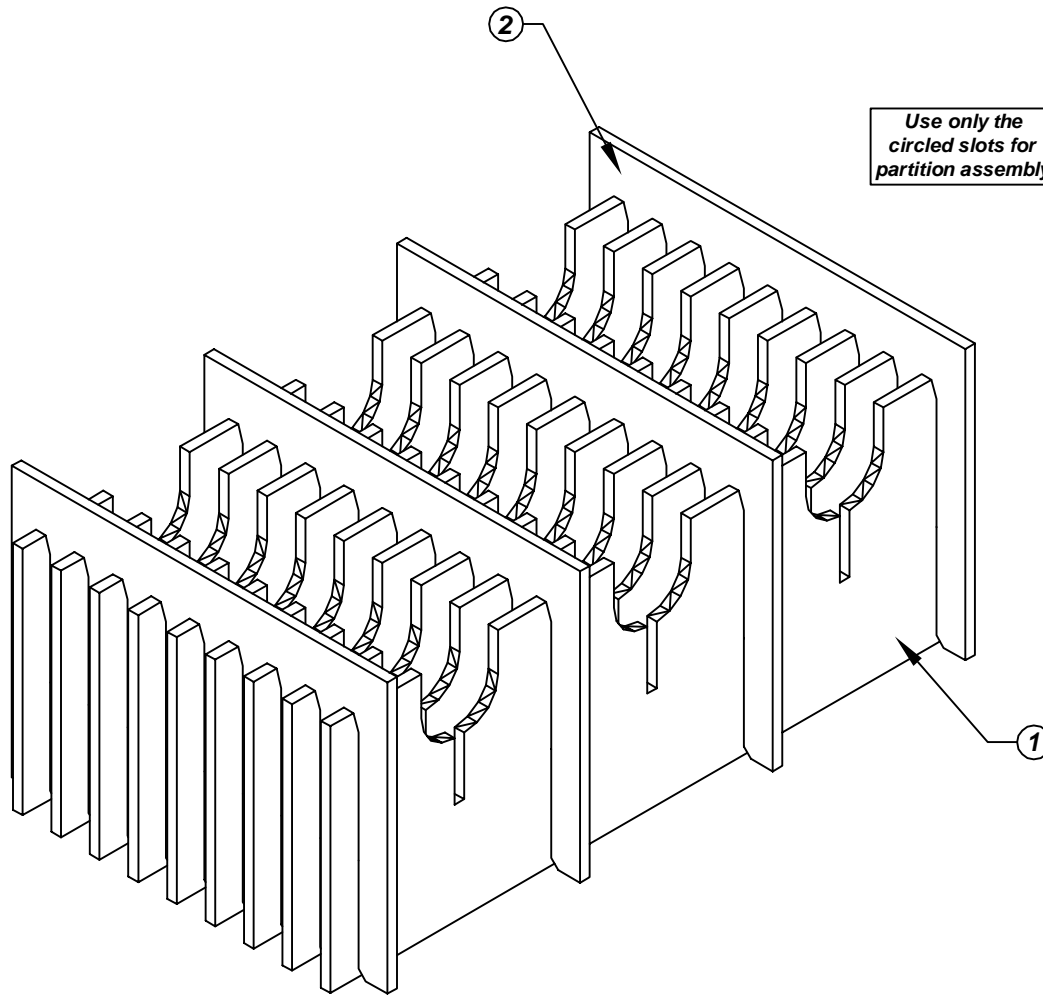
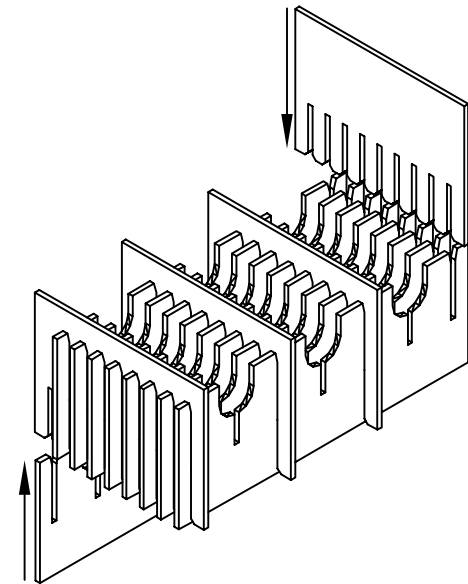
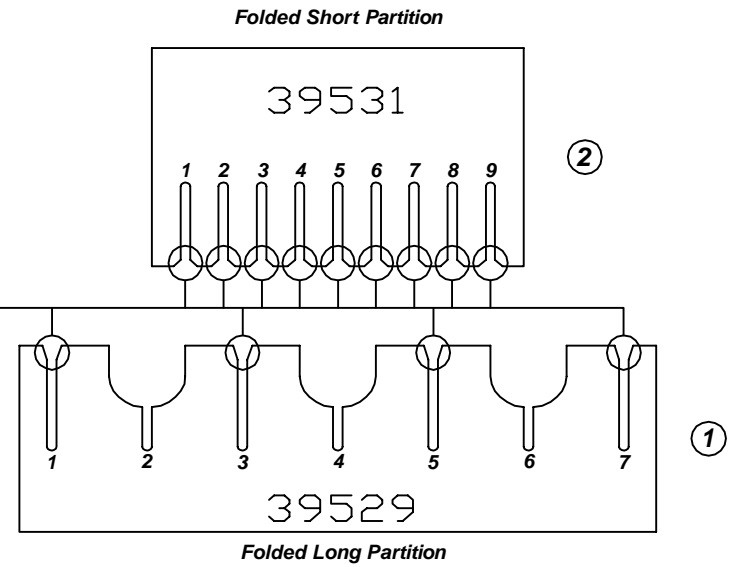


# Assembly Instructions for - 37156



Use only the circled slots for partition assembly



Made in America

|          |                 |                                     |  |           |
|----------|-----------------|-------------------------------------|--|-----------|
| F/N<br>① | Part #<br>39529 | Dimensions:<br>12-3/16" x 16-11/16" | Description:<br>400 - LP Long Partition  | Qty:<br>9 |
| F/N<br>② | Part #<br>39531 | Dimensions:<br>14-3/16" x 9-3/4"    | Description:<br>400 - SP Short Partition | Qty:<br>4 |

## 37156 - 30 Cell Inplant Handler Cell Size - 7-1/4" x 4-3/4" x 3/4"

Notes:  
For use with the following storage container & lid:  
37500 - Storage Container  
37550 - Lid

PROTEKTIVE PAK  
13520 MONTE VISTA AVENUE, CHINO, CA 91710  
PHONE (909) 627-2578, FAX (909) 363-7331  
ProtectivePak.com



DRAWING NUMBER  
**IPH-37156**

DATE  
Dec.  
2007