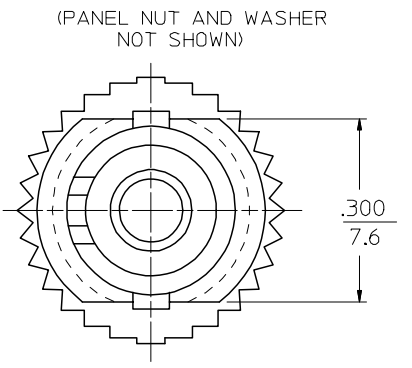
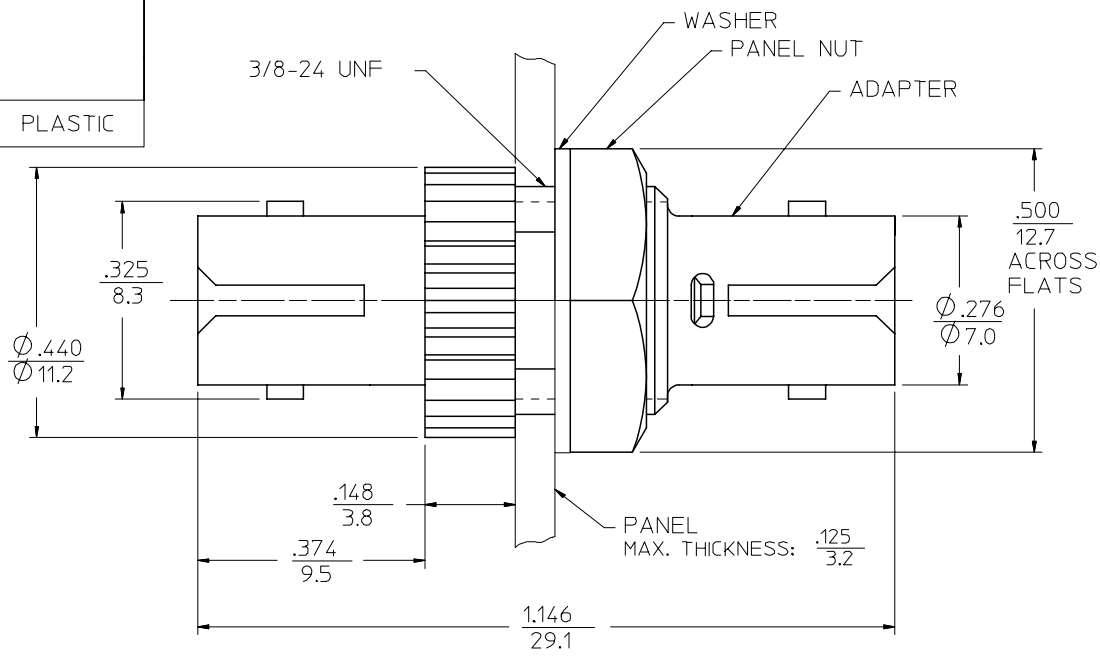
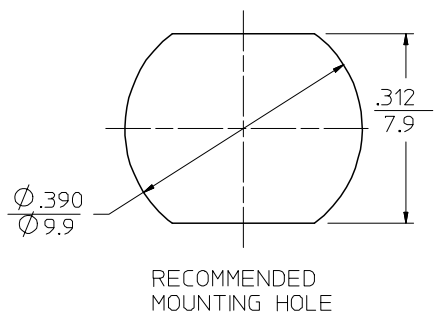


ADAPTER P/N	ALIGNMENT SLEEVE MATERIAL	DUST CAP COLOR	PANEL NUT MATERIAL
106110-1000	CERAMIC	BLACK	METAL
106110-1020*			
106112-1000	PHOSPHOR BRONZE	RED	
106112-1100*			
106113-1000	PLASTIC	BLACK	
106113-1020*			
106113-1100	PHOSPHOR BRONZE	RED	PLASTIC
106112-1010			



NOTES:
 1. DUST CAPS ARE NOT SHOWN BUT INCLUDED.
 *2. P/N 106113-1020, P/N 106110-1020 AND P/N 106112-1100 ARE BULK PACKED IN QUANTITY OF 100 PIECES.

ENTER DESCRIPTION
 EC NO: MF2008-0168
 DRWN: YBEDNYAK
 CHKD: [blank]
 APPR: IGUMIN

QUALITY SYMBOLS
 ▽=0
 ▽=0

GENERAL TOLERANCES (UNLESS SPECIFIED)	
mm	INCH
4 PLACES ± .005	± .0004
3 PLACES ± .004	± .0003
2 PLACES ± .003	± .0002
1 PLACE ± .002	± .0001
ANGULAR ±1/2°	

DRAFT WHERE APPLICABLE MUST REMAIN WITHIN DIMENSIONS

DIMENSION STYLE: IN/MM
 DRAWN BY: RPACIFICI
 CHECKED BY: [blank]
 APPROVED BY: [blank]
 DATE: 2005/12/22

SCALE: 5:1
 DESIGN UNITS: INCH
 THIRD ANGLE PROJECTION
 TITLE: ST TYPE ADAPTER (METAL BODY)
 MOLEX INCORPORATED
 MATERIAL NO.: SEE TABLE
 DOCUMENT NO.: SD-10611X-1X00
 SHEET NO.: 1 OF 01
 THIS DRAWING CONTAINS INFORMATION THAT IS PROPRIETARY TO MOLEX INCORPORATED AND SHOULD NOT BE USED WITHOUT WRITTEN PERMISSION