

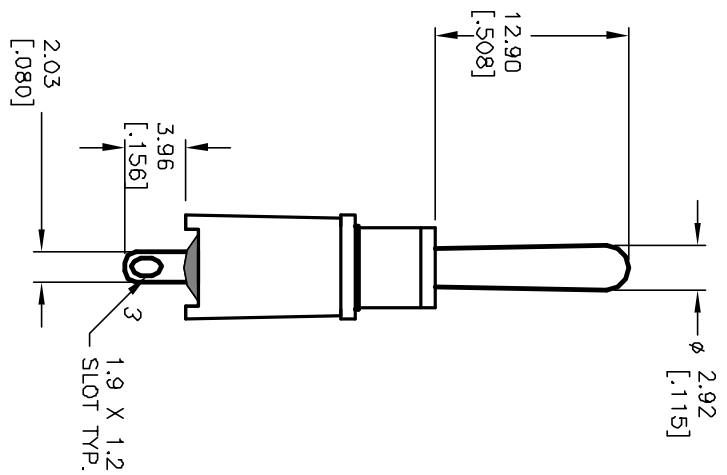
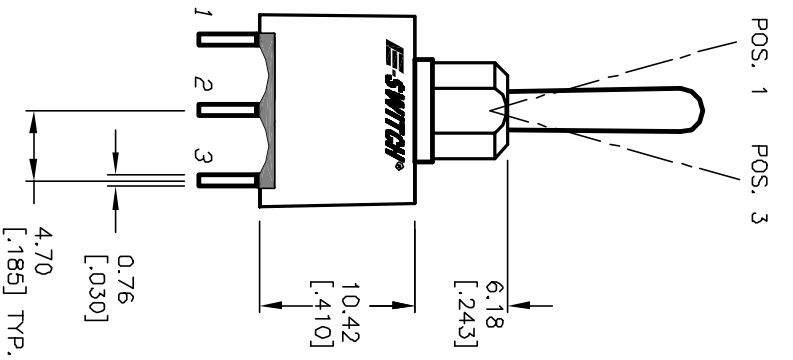
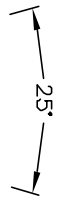
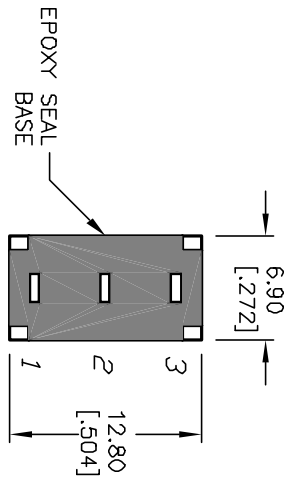
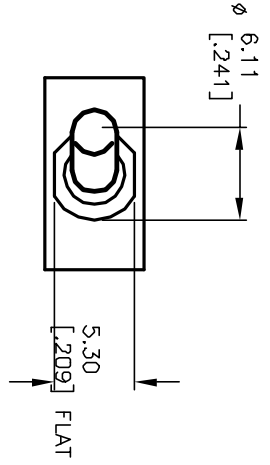
CIRCUIT: SPDT

SWITCH FUNCTION		
POS. 1	POS. 2	POS. 3
<CND>	DPEN	<CND>
2-3	DPEN	2-1

NOTES:

1. ALL DIMENSIONS IN MM [INCH]
2. GENERAL TOLERANCE: X.XX=±0.4  
X.XXX=±0.25
3. TERMINAL NUMBERS FOR REF ONLY
4. RATING: 5A @120VAC or 28VDC  
2A @250VAC (w/RESISTIVE LOAD)
5. FIXED TERM. & MOVING CONTACT:  
Cu Alloy w/Silver plate
6. ELECTRIC LIFE: 40 000 make-and-break cycles  
at full load.
7. INSULATION RESISTANCE: 1,000 Mega-ohm min.
8. DIELECTRIC STRENGTH: 1,000 V RMS @sea level.
9. OPERATING TEMP.: -30°C to 85°C

< >=Mandatory



BOTTOM VIEW

**E-SWITCH®**

REV. A	12619	RELEASED	12/5/02	CB
REV. ECN NO.		DESCRIPTION	DATE	CHK'D

TITLE	SCALE	DATE	DR	DWG	REV
100A WSP-4 T1 B4 M1 Q E	2:1	12/5/02	CB	T104007	A

THE INFORMATION CONTAINED IN THIS DOCUMENT IS PREPARED FOR E-SWITCH AND IS NOT TO BE COPIED OR TRANSMITTED