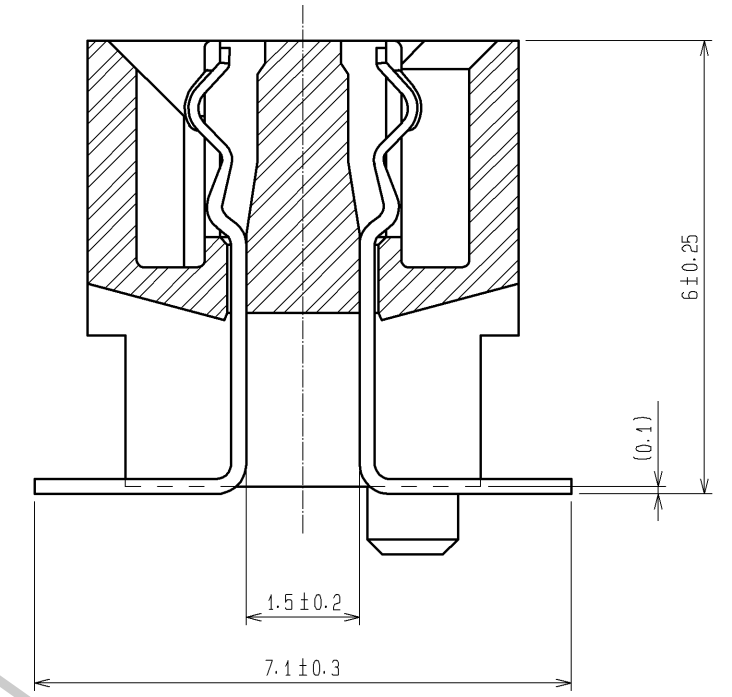
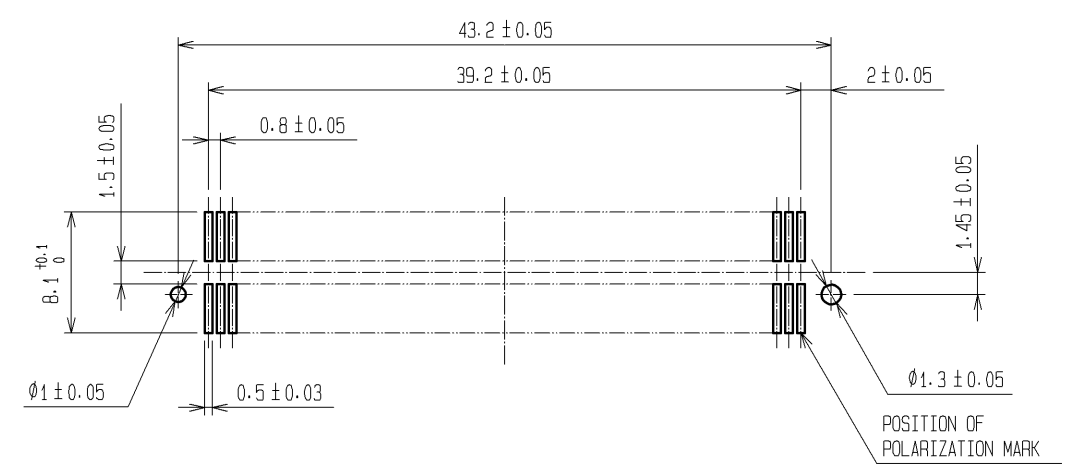


A-A (10:1)



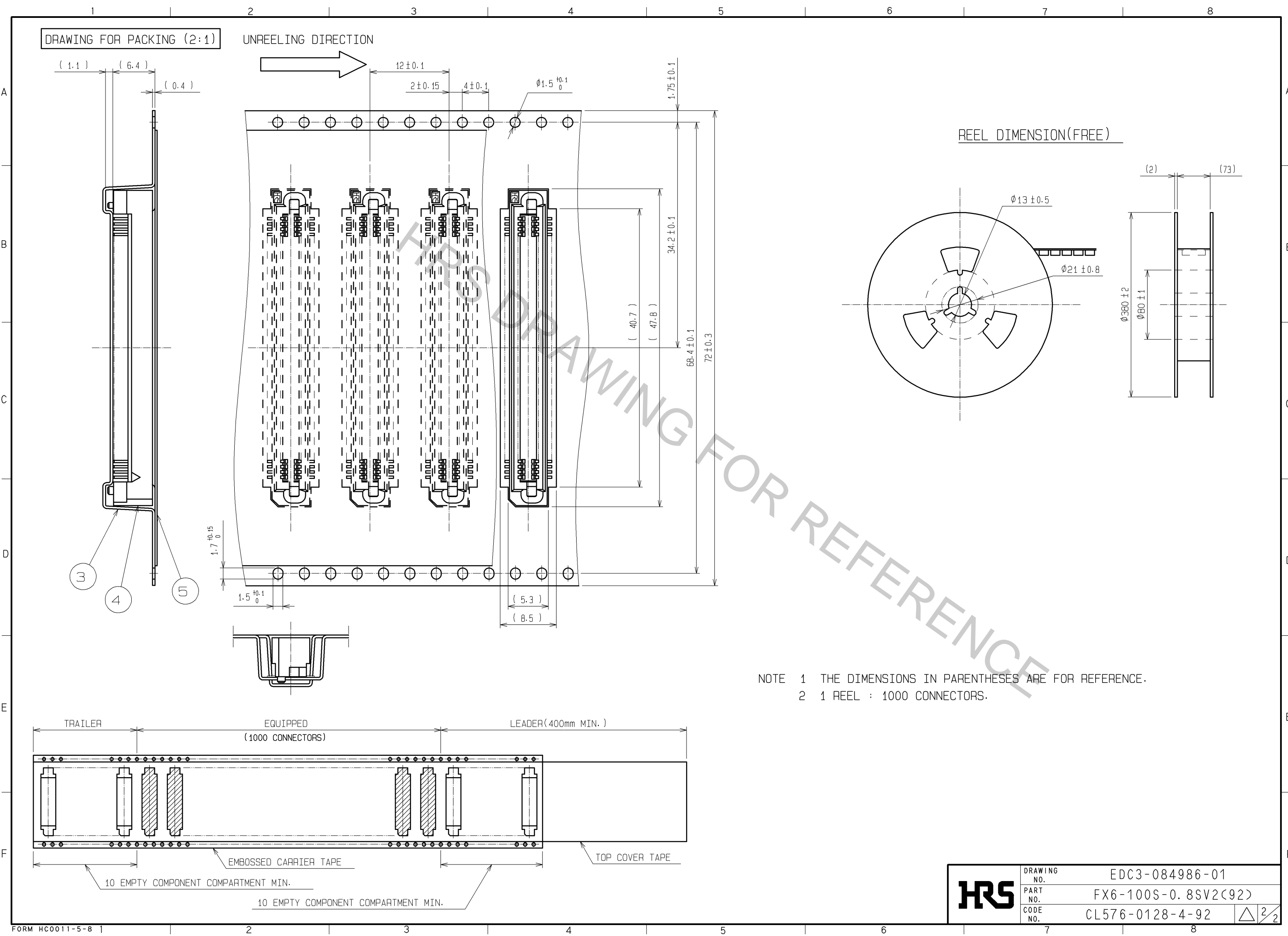
- NOTE 1 HRS MARK SHALL BE OPTIONAL.
 2 LEAD CO-PLANARITY SHALL BE 0.1mm MAX.
 3 EMBOSSED CARRIER TAPE PACKAGING SHALL BE APPLIED TO THIS PRODUCT. SEE NEXT PAGE FOR DETAILS.
 4 FOR MODIFICATION, ETC. PREVENTIVE HOLE FOR SINK MARK MAY BE ADDED ACCORDING TO CIRCUMSTANCES.
 5 THE DIMENSIONS IN PARENTHESES ARE FOR REFERENCE.

RECOMMENDED LAND PATTERN DIMENSION OF PCB (MOUNTING SIDE)



1	PPS	LIGHT BROWN (UL94V-0)	2	PHOSPHOR BRONZE	CONTACT AREA: GOLD 0.1μm min. LEAD AREA: TIN-PLATING 1μm min. UNDER PLATING: NICKEL 2μm min.
NO.	MATERIAL	FINISH . REMARKS	NO.	MATERIAL	FINISH . REMARKS
5	POLYESTER	(TOP COVER TAPE)	4		(CONNECTOR)
3	POLYSTYRENE	(EMBOSSED CARRIER TAPE)			

UNITS mm		SCALE 2 : 1	COUNT 	DESCRIPTION OF REVISIONS	DESIGNED	CHECKED	DATE
HRS HIROSE ELECTRIC CO., LTD.		APPROVED : HS. OKAWA	14.08.27	DRAWING NO.	EDC3-084986-01		
		CHECED : HT. YAMAGUCHI	14.08.27	PART NO.	FX6-100S-0.8SV2(92)		
		DESIGNED : TY. EDAGAWA	14.08.27	CODE NO.	CL576-0128-4-92		
		DRAWN : TY. EDAGAWA	14.08.27		1/2		



HRS	DRAWING NO.	EDC3-084986-01
	PART NO.	FX6-100S-0.8SV2(92)
	CODE NO.	CL576-0128-4-92
		△ 2/2