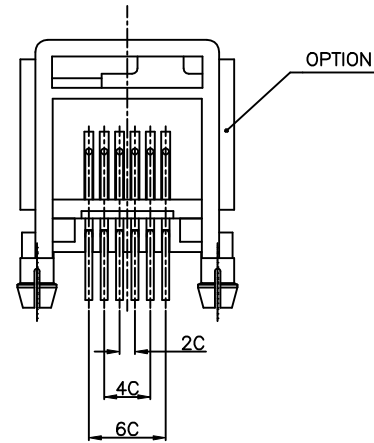
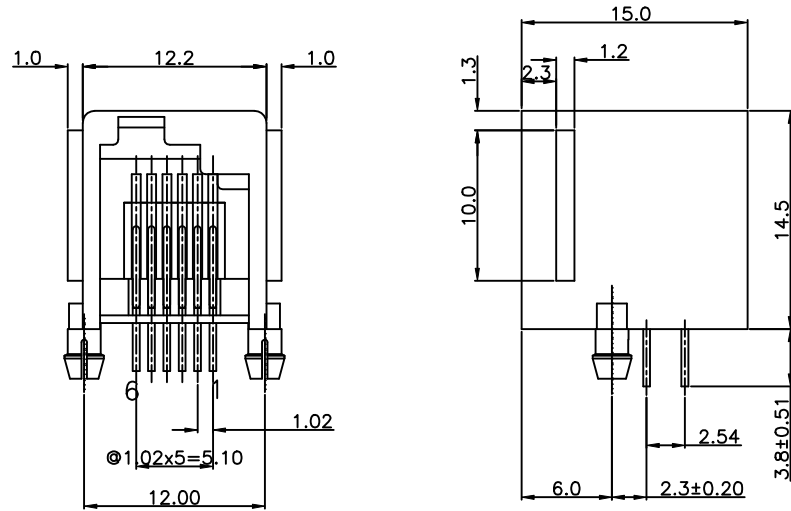


REVISION RECORD				
REV	ECO	DESCRIPTION	DRFT	CHKD
△		ADD PART NO.	Gianni	4/21/05



NOTES:

ELECTRICAL:

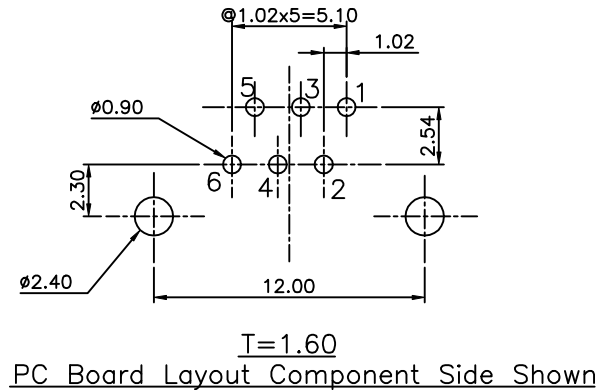
1. VOLTAGE RATING : 125 VAC RMS.
2. CURRENT RATING : 1.5 AMP.
3. CONTACT RESISTANCE : 30 MILLIOHMS MAX.
4. INSULATION RESISTANCE: 1000 MEGOHMS MIN @ 500 VDC.
5. DIELECTRIC STRENGTH : 1000 VAC RMS 60Hz, 1MIN.

MECHANICAL:

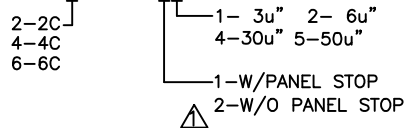
1. HOUSING MATERIAL : NYLON+30%.G.F(FR52) UL94V-0.
2. CONTACT MATERIAL : PHOSPHOR BRONZE ϕ 0.46mm.
3. PLATING : GOLD PLATING OVER NICKEL.
4. OPERATING LIFE : 750 CYCLES MIN.
5. PCB RETENTION PRE-SOLDER : 1 LB MIN.
6. PCB RETENTION POST-SOLDER: 10 LBS MIN.

ENVIRONMENTAL:

1. STORAGE : -40°C TO +85°C.
 2. OPERATION: -40°C TO +85°C.
 3. WAVE SOLDERING TEMPERATURE: 255°C~265°C(5~10 SECONDS)
- MATES WITH MODULAR PLUG CONFORMING TO
FCC PART 68, SUBPART F.
CUL FILE NO. E163191



PART NUMBER: E556X-DOLUXX-L



DETACHED LISTS	MM (INCH)	DFTO JAMY	DATE 4/07/05	FULL RISE ELECTRONIC CO., LTD	
	TOLERANCES EXCEPT AS NOTED	CHKDYMAN	DATE 2005/4/23		
	MM	MFO	DATE	TITLE DEC TYPE L/P PCB JACK	
	.0 ±0.2	APPLVLSAMMY	DATE 2005/4/23		
.00 ±0.15	MATERIAL :	QT'Y :	DRAWING NO. GE553A50-LA		
.000 ±0.075	FINISH :	SCALE : 3 : 1			SIZE A3
ANGLES ± 0.5	THIRD ANGLE PROJECTION	DO NOT SCALE DRAWING		SHEET OF	