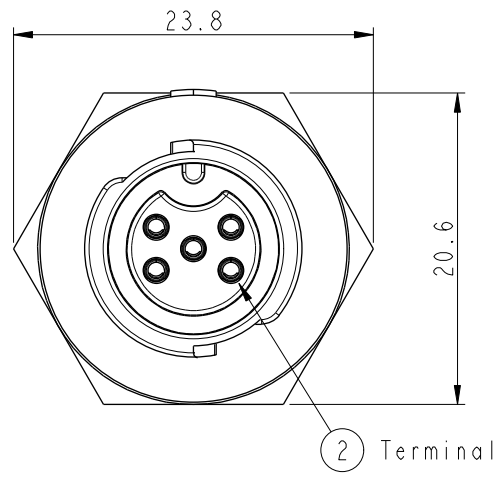
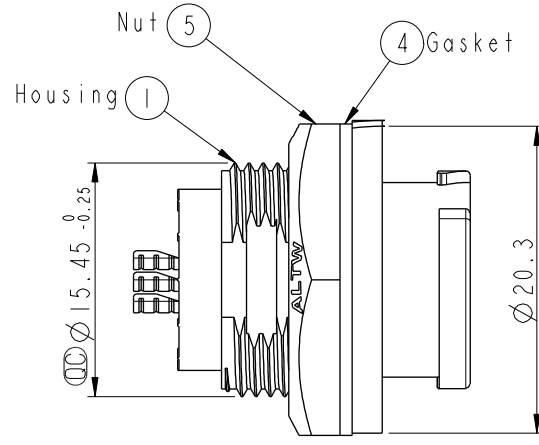
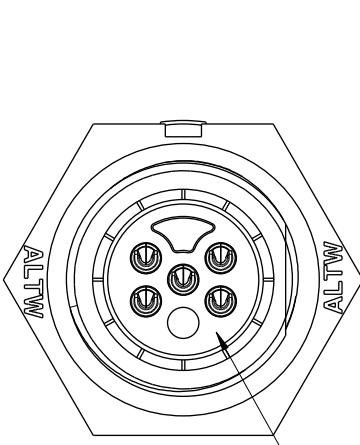


REV.	ECN NO.	DATE	SIGN	DESCRIPTION

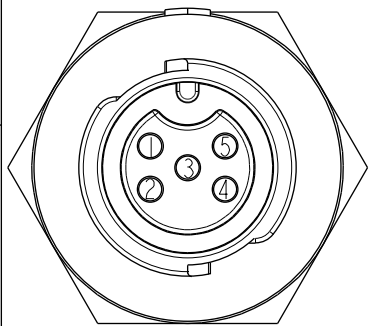
THIS DOCUMENT IS SUBJECT TO CHANGE WITHOUT NOTICE. IT IS CONFIDENTIAL AND A PROPERTY OF AMPHENOL LTW. DISCLOSURE TO THIRD PARTY HAS TO BE AUTHORIZED BY AMPHENOL LTW.



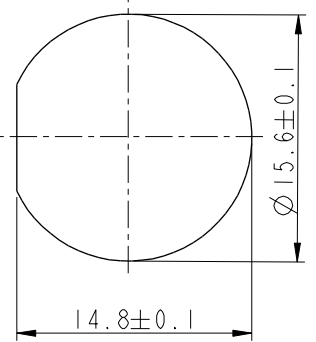
ALTW
CONFIDENTIAL
2014-10-24
R&D DEPT.

ALTW
DCC. DEPT.
CONFIDENTIAL
2014.11.26
ISSUED

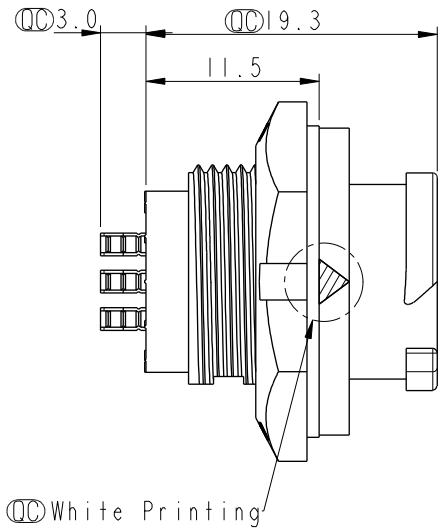
Whit Liquid Glue



Pin Assignments
Front View



Recommended Panel Cut-out



- Note:
- * \varnothing Important Dimension To Check.
 - * Waterproof Rate: IP68
 - * Working Voltage Rating: AC 300 V
 - * Working Current Rating: 5A
 - * Flame Class: UL94V-0 (UV Resistance)
 - * Housing: Nylon+GF, Black
 - * Female Pin: Copper Alloy, Gold Plated
 - * Nut: Nylon+GF, Black
 - * Gasket: Silicone, Gray
 - * Panel Thickness Max: 4.5mm

UNIT:mm		
TOLERANCE .X ±0.25		

TITLE X Lok B-Size Receptacle M Conn F 5 Pin			
SCALE 2:1	SIZE A4	SHEET 1 OF 1	
REV. A	WC-REV. A.1	\varnothing : Inspection item	

Amphenol LTW
安費諾亮泰企業股份有限公司

ITEM NO. BD-05RMFS-QC8001	DRAWN BY LTNP11	DATE 2014-10-24
DWG NO. BD-05RMFS-QC8001	CHECKED BY Tony	DATE 2014-10-24
CUSTOMER ALTW	APPROVED BY Victor	DATE 2014-10-24