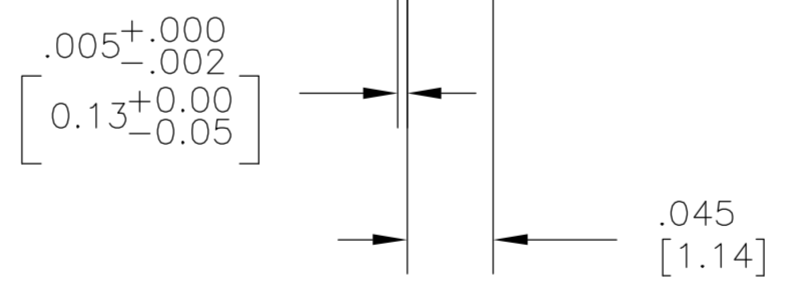
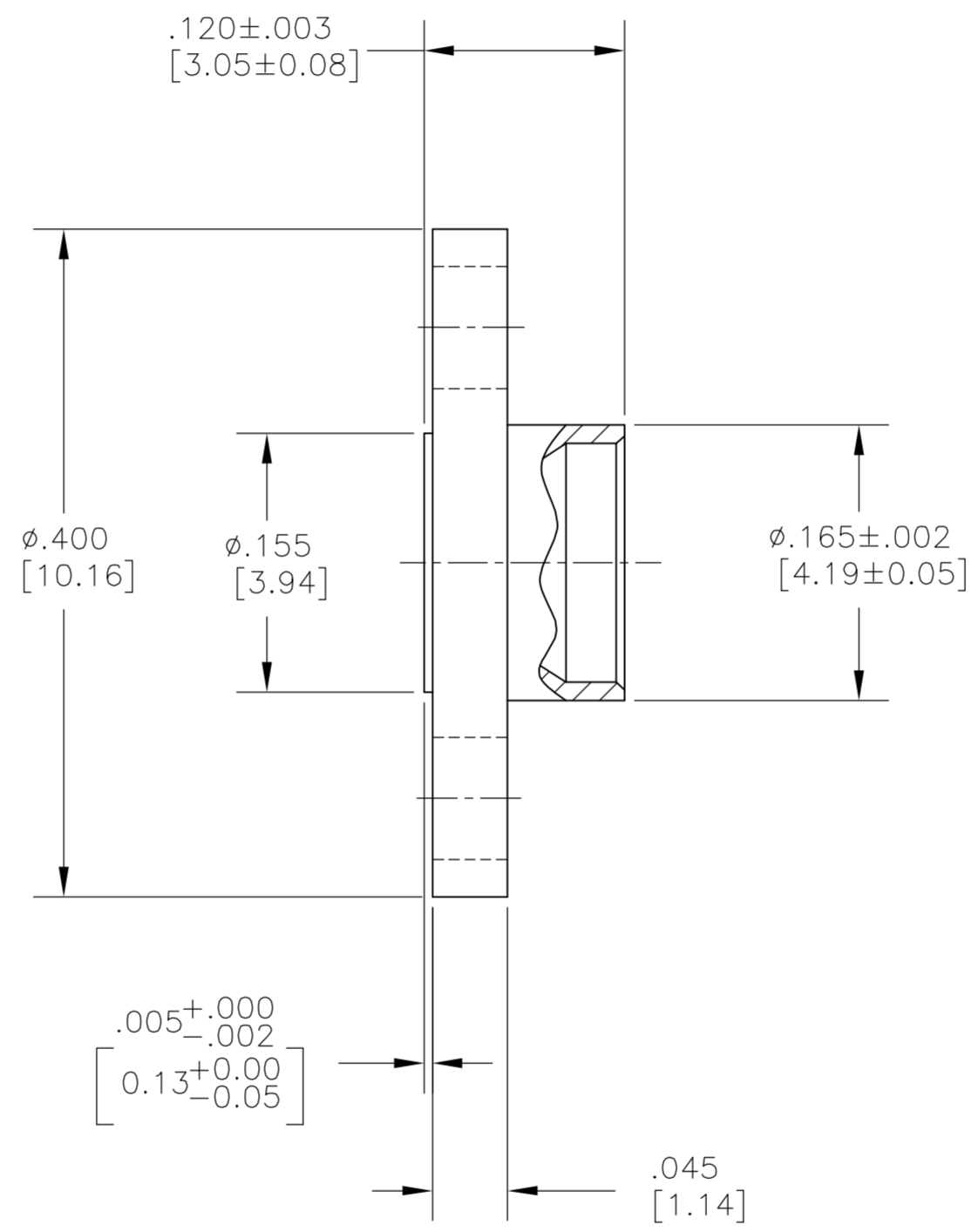
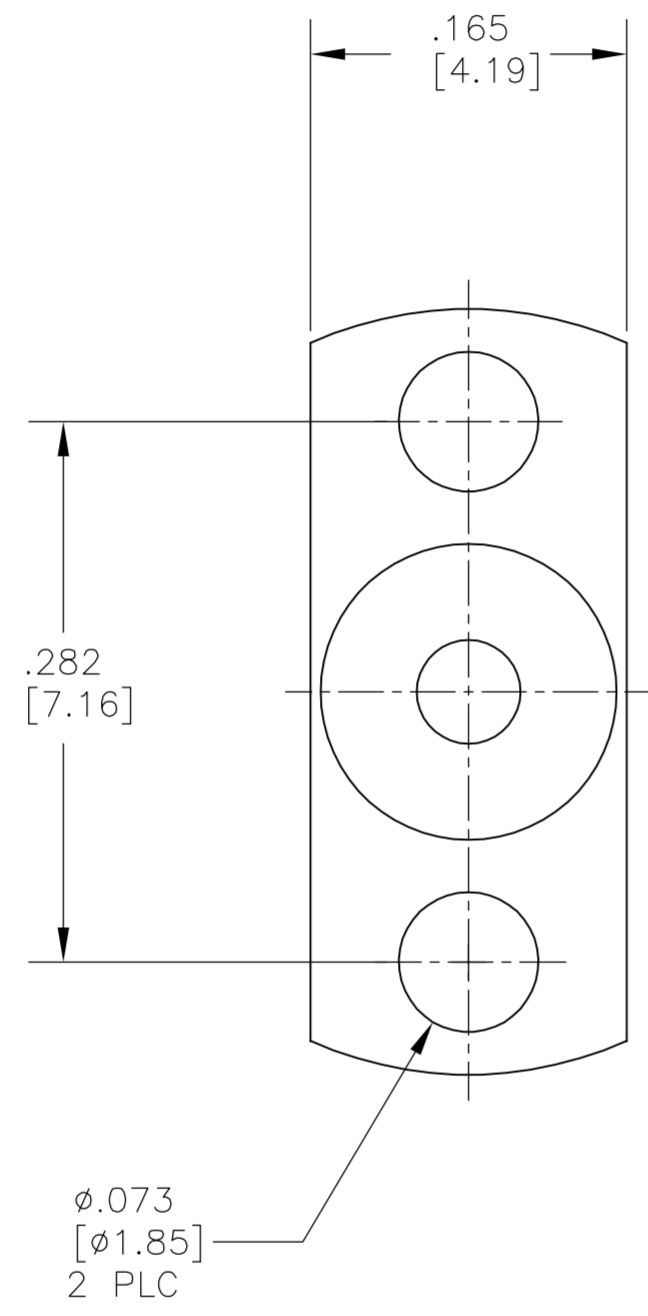


THIS DRAWING IS UNPUBLISHED. RELEASED FOR PUBLICATION
 © COPYRIGHT BY TYCO ELECTRONICS CORPORATION. ALL RIGHTS RESERVED.

| LOC | DIST | REVISIONS | | | | | |
|-----|------|-----------|-----|----------------------|---------|-----|------|
| | | P | LTR | DESCRIPTION | DATE | DWN | APVD |
| X0 | DF | B | | REV PER ECO 05-12921 | 11-7-05 | BM | BM |

- 1. STAINLESS STEEL PER ASTM-A-582
- 2. PASSIVATION PER AMS QQ-P-35
- 3. SMP INTERFACE PER MIL-STD-348A, FIGURE 326-2
- 4. DSCC REFERENCE PART NUMBER: 94007ZSP-5



| | | |
|---------------|---------------|-----------|
| $\triangle 2$ | $\triangle 1$ | 1056742-1 |
| FINISH | MATERIAL | PART NO. |

| | | | | | | | | | | | | | | | | | | | | | | |
|---|---------------------|------------------------------|---|--------------------|-------|---|---|-------|---|---|-------|---|-------------|-------|---|---|--------|---|----|-------------------|------------|--------------------|
| THIS DRAWING IS A CONTROLLED DOCUMENT. | | DWN B. MOYER 13APRO5 | Tyco Electronics Corporation Harrisburg, PA 17105-3608 | | | | | | | | | | | | | | | | | | | |
| DIMENSIONS: INCHES | | CHK C.C.THOMAS 11-7-05 | NAME HOUSING SHROUD, FULL DETENT, SMP | | | | | | | | | | | | | | | | | | | |
| TOLERANCES UNLESS OTHERWISE SPECIFIED: | | APVD B. MOYER 11-7-05 | | | | | | | | | | | | | | | | | | | | |
| <table border="1"> <tr><td>0 PLC</td><td>±</td><td>-</td></tr> <tr><td>1 PLC</td><td>±</td><td>-</td></tr> <tr><td>2 PLC</td><td>±</td><td>-</td></tr> <tr><td>3 PLC</td><td>±</td><td>.005 (0.13)</td></tr> <tr><td>4 PLC</td><td>±</td><td>-</td></tr> <tr><td>ANGLES</td><td>±</td><td>1°</td></tr> </table> | | 0 PLC | ± | - | 1 PLC | ± | - | 2 PLC | ± | - | 3 PLC | ± | .005 (0.13) | 4 PLC | ± | - | ANGLES | ± | 1° | PRODUCT SPEC - | SIZE A2 | CAGE CODE 00779 |
| 0 PLC | ± | - | | | | | | | | | | | | | | | | | | | | |
| 1 PLC | ± | - | | | | | | | | | | | | | | | | | | | | |
| 2 PLC | ± | - | | | | | | | | | | | | | | | | | | | | |
| 3 PLC | ± | .005 (0.13) | | | | | | | | | | | | | | | | | | | | |
| 4 PLC | ± | - | | | | | | | | | | | | | | | | | | | | |
| ANGLES | ± | 1° | | | | | | | | | | | | | | | | | | | | |
| MATERIAL SEE TABLE | FINISH SEE TABLE | APPLICATION SPEC - | DRAWING NO C=1056742 | RESTRICTED TO - | | | | | | | | | | | | | | | | | | |
| CUSTOMER DRAWING | | | SCALE 10:1 | SHEET 1 of 1 | | | | | | | | | | | | | | | | | | |

1056742