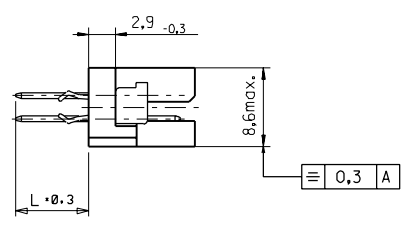
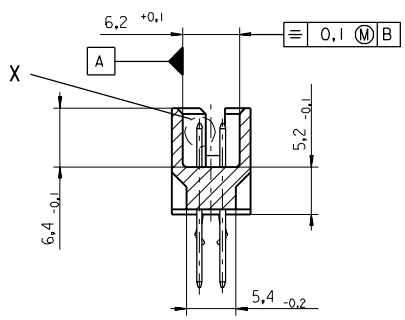
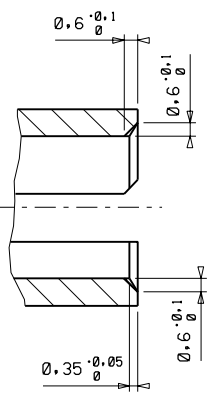
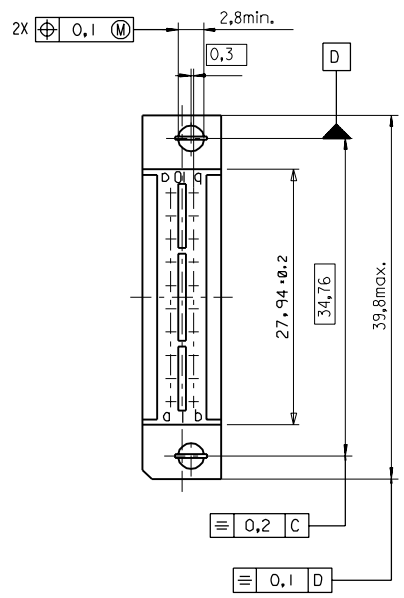
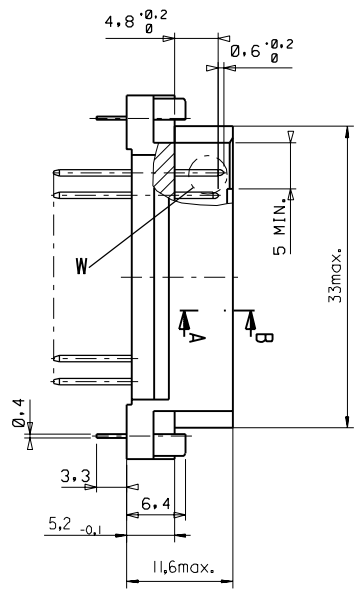
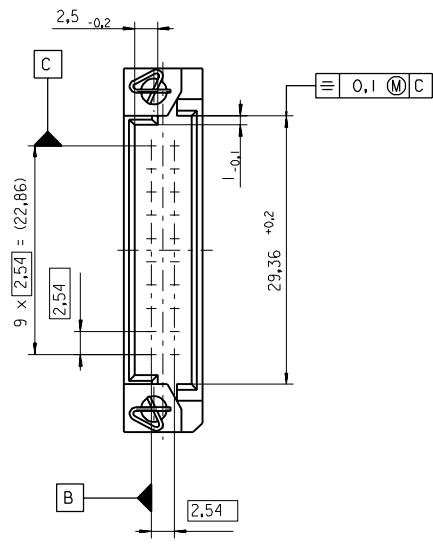
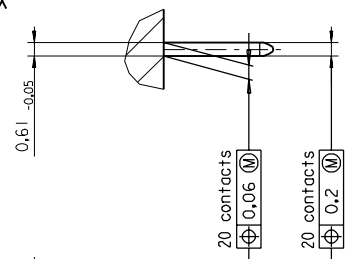


PART NO.
DWG. NO.

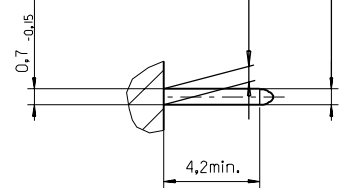
Section A - B
5:1



View X
5:1



View W
5:1



first release see ECN No. 1887	REVISIONS FOR PREVIOUS REVISIONS SEE MRI LIST 3 PLACE ± . ± 2 PLACE ± . ± 1 PLACE ± . ± DRAFT WHERE APPLICABLE MUST REMAIN WITHIN DIMENSIONS DESIGN DIMENSION <input checked="" type="checkbox"/> MM <input type="checkbox"/> IN. EQUIVALENT DIMENSION <input type="checkbox"/> MM <input type="checkbox"/> IN. IF TWO DIMENSIONS ARE SHOWN THE UPPER IS THE DESIGN DIMENSION, LOWER IS SECONDARY	DRWG BY Ca	SIGN	CAD/CAM PROJECT NAME 8501000 611	THIS DRAWING CONTAINS INFORMATION THAT IS PROPRIETARY TO MOLEX INC. & SHOULD NOT BE USED WITHOUT WRITTEN PERMISSION	SH.	REV.	
		CHK'D BY KN	SIGN	TITLE 20 pos. Male connector acc. DIN 41612 style Q/3 Dimensions		SHEET NO. 1 OF	DATE 95/06/08	
A	LTR	APP'D BY	SIGN	<input checked="" type="checkbox"/> MM <input type="checkbox"/> IN. <input type="checkbox"/> MM <input type="checkbox"/> IN.		SCALE 2:1	PART NO. SDA-85011-0001	DWG NO. SIZE B

