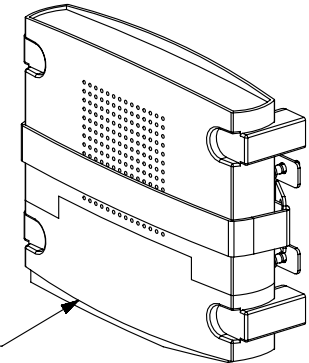
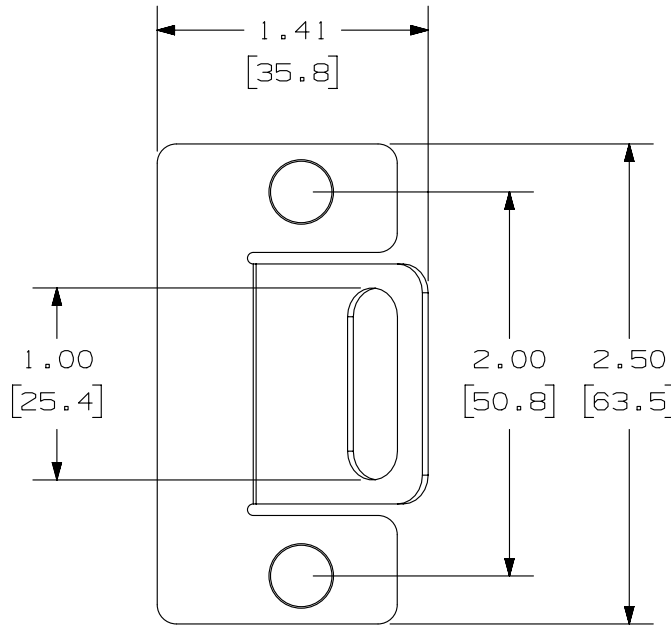
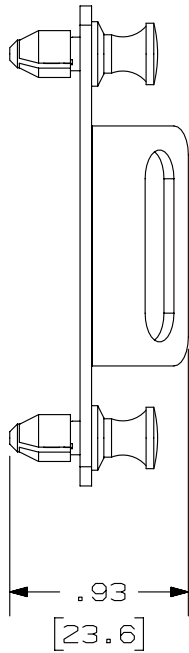


THIS COPY IS PROVIDED ON A RESTRICTED BASIS AND IS NOT TO BE USED IN ANY WAY DETRIMENTAL TO THE INTERESTS OF PANDUIT CORP.

PANDUIT P/N	WEIGHT
MSEBRKT	1.12 LB/10 PCS (506.0 g/10 PCS)

NOTES:

- SEE CURRENT CATALOG FOR ADDITIONAL PART NUMBER SUFFIXES TO INDICATE COLOR AND OR PACKAGE QUANTITY.
- SEE CATALOG FOR COMPLETE LIST OF PARTS APPLICABLE FOR USE WITH THIS PART.
- DIMENSIONS IN [] ARE IN METRIC.
- PART INCLUDES:
2- EQUIPMENT BRACKET
1- 18" ULTRA-CINCH HOOK AND LOOP TIE



3RD PARTY EQUIPMENT NOT INCLUDED

PART NUMBER		MSEBRKT	
TITLE			
MEDIA DISTRIBUTION EQUIPMENT BRACKET			
CUSTOMER DRAWING			
ITEM REVISION NAME		M02695ZF/00	
DATASET FILE NAME		M02695ZF_DC108/00B	
UNLESS OTHERWISE SPECIFIED, DIMENSIONAL TOLERANCES ARE: IN [mm]		MATERIAL:	
.x ± .xx ± .03 [.8]		16 GAGE C.R.S.	
.xxx ± .010 [.3]		DRAWING NUMBER:	
ANGLES ±		02695-108	
THIRD ANGLE PROJECTION		SHT 1 OF 1	
DRAWN BY	DATE	CHK	SCALE
JSP	11-19-07	REFR	NONE
REV	DATE	BY	CHK
1	5-08-14	MDJR	REFR
R	11-19-07	JSP	REFR

REV	DATE	BY	CHK	APR	DESCRIPTION	ECN
1	5-08-14	MDJR	REFR	MMR	A. UPDATED TITLE BLOCK.	02695-108
R	11-19-07	JSP	REFR	REFR	RELEASED TO PRODUCTION	02695-108

D101000DA/14

2

1

2

1