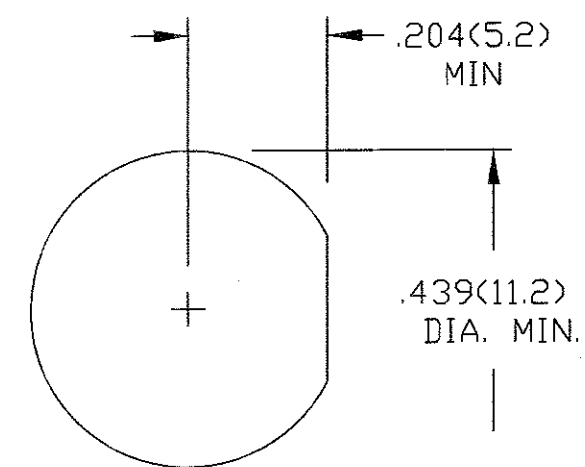
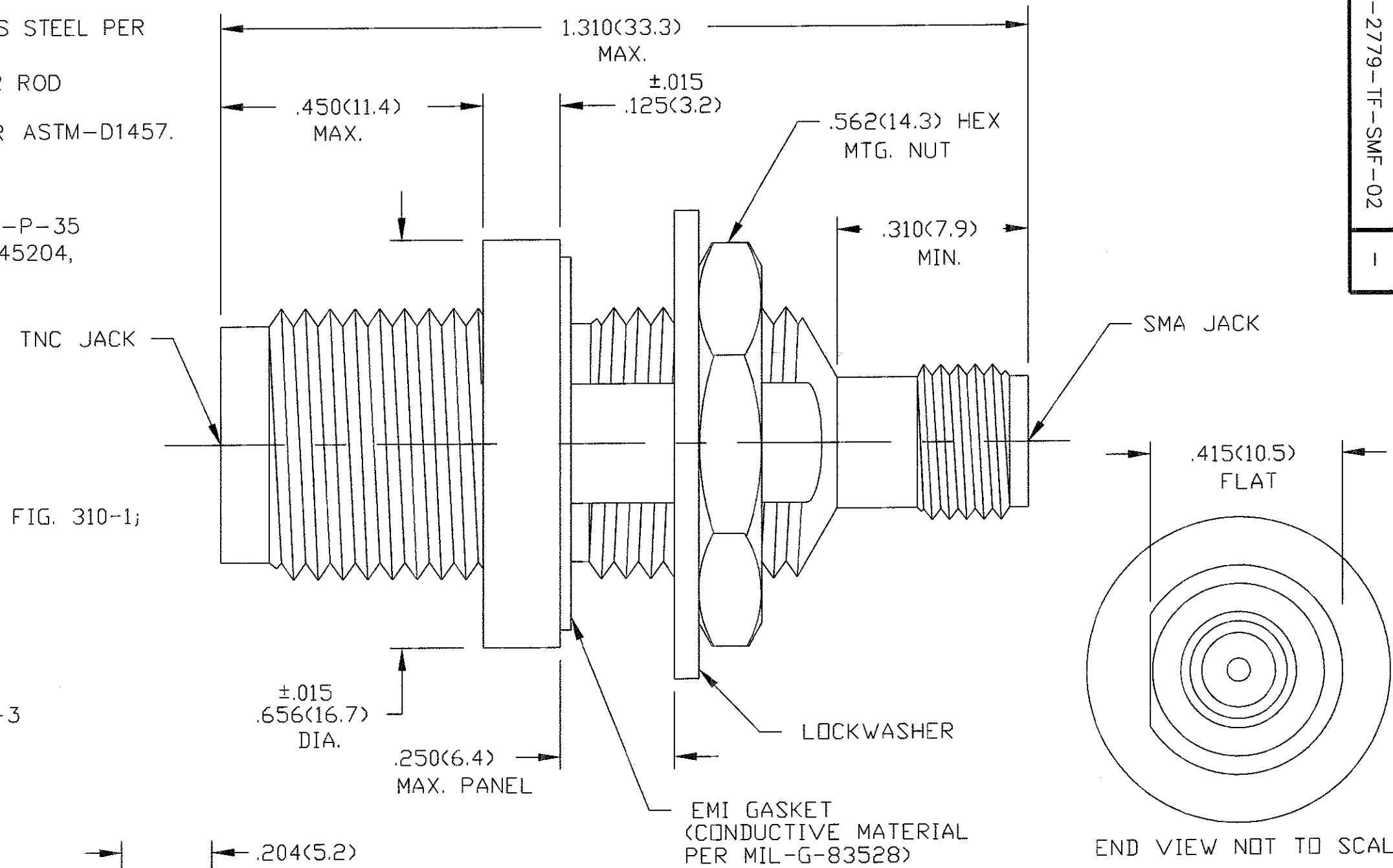


- NOTES:
- MATERIALS:
 - HOUSING, NUTS & WASHER: STAINLESS STEEL PER ASTM-A582, TYPE 303.
 - CENTER CONTACT: BERYLLIUM COPPER ROD ALLOY C172, PER ASTM-B196.
 - DIELECTRIC: PTFE FLUOROCARBON PER ASTM-D1457.
 - PLATING:
 - HOUSING, NUTS & WASHER: PASSIVATED PER MIL-F-14072 & QQ-P-35
 - CENTER CONTACT: GOLD PER MIL-G-45204, TYPE II, CLASS 1
 - ELECTRICAL SPECIFICATIONS:
 - FREQUENCY RANGE: DC to 15 GHz
 - VSWR (MAX):
 - DC to 12.4 GHz: 1.05 + .008f(GHz)
 - 12.4 to 15.0 GHz: 1.09 + .009f(GHz)
 - IMPEDANCE: 50 OHMS
 - MECHANICAL:
 - INTERFACE: SMA PER MIL-STD-348A, FIG. 310-1; TNC PER MIL-STD-348, FIG 313-2
 - DIMENSIONS IN PARENTHESIS ARE IN MILLIMETERS.

COMMERCIAL ALTERNATE FOR #8501814BP-3



RECOMMENDED

UNLESS OTHERWISE NOTED DIMENSIONS ARE IN INCHES AND TOLERANCES ARE:		FSCM NO. 34078		MIDWEST MICROWAVE	
3 PLACE DECIMALS ±.005		NOTICE: The information contained in this drawing is proprietary and must not be used without the permission of Midwest Microwave		TITLE ADAPTER TNC JACK to SMA JACK	
2 PLACE DECIMALS ±.02		DRAWN/DATE S. ORLOV 1/31/03		DRAWING NUMBER ADT-2779-TF-SMF-02	
FRACTIONS ±1/64		ENG. DATE 1/31/03		SCALE: 5=1	
PARALLELITY: T.I.R. _____		APPROVED/DATE 1/31/03		SHEET 1 of 1	
FLATNESS: T.I.R. _____		CHECKED/DATE			
CONCENTRICITY: T.I.R. _____		ANGLES AND PERPENDICULARITY: ±1°			

DATE	1/31/03
DESCRIPTION	RELEASED
REV.	-