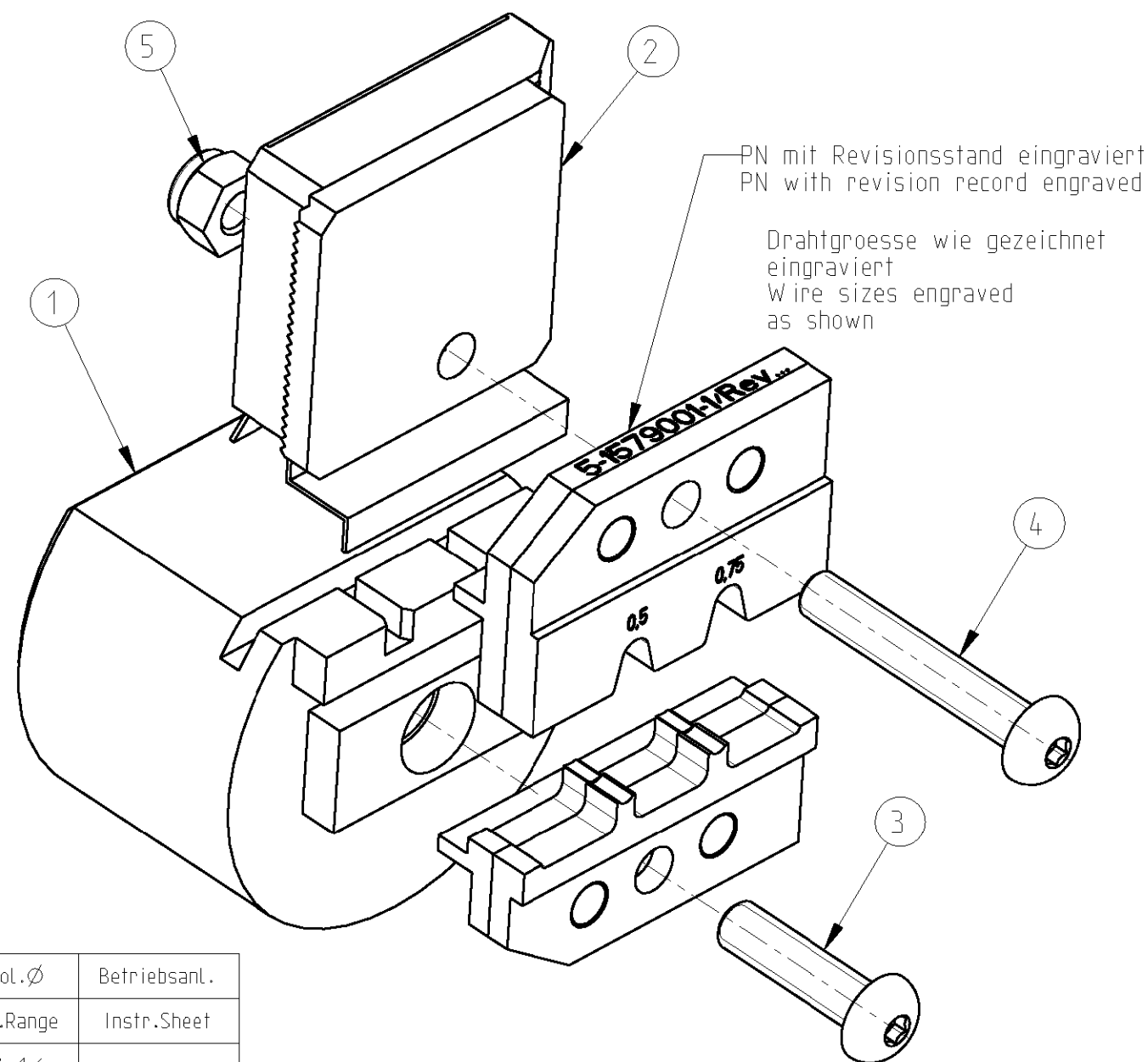


LOC	DIST	REVISIONS			
P	LTR	DESCRIPTION	DATE	DWN	APVD
A1	-				

Matrize in Kombination mit Ergocrimp Basishandzange PN 539635-1 verwenden
 Use die in combination with Ergocrimp basis hand tool PN 539635-1

Matrize im Karton mit Bedienungsanleitung 411-18294 verpackt
 Die packed in a cardboard with instruction sheet 411-18294



5-1579001-1	1	6-0744010-6	Instruction Sheet	Bedienungsanleitung	6
	1	0-0519024-2	Nut M4 DIN 985	Mutter M4 DIN 985	5
	1	1-0519151-3	Screw M4x25	Schraube M4x25	4
	1	1-0519151-1	Screw M4x16	Schraube M4x16	3
	1	9-1579005-5	Locator Assembly	Drahtanschlag	2
	1	9-1579005-2	Contact Locator	Kontaktpositionierer	1
	QTY Stck	PN	Description	Benennung	Pos.

Kontakt	AWG (mm ²)	Drahtcrimp / Wire Crimp		Isolationscrimp/Insulationcrimp		Isol.Ø	Betriebsanl.
Contact	Wire Range	Hoehe/Height mm	Breite/Width mm	Hoehe/Height mm	Breite/Width mm	Ins.Range	Instr.Sheet
965907 / 965909	0.50	0.93 ±0.03	1.40 F	2.9	2.9 0	1.4-1.6	411-18294
	0.75	1.07 ±0.03		2.9		1.7-1.9	
	-----	-----		-----		-----	

<small>THIS DRAWING IS A CONTROLLED DOCUMENT FOR TYCO ELECTRONICS CORPORATION IT IS SUBJECT TO CHANGE AND THE CONTROLLING ENGINEERING ORGANIZATION SHOULD BE CONTACTED FOR THE LATEST REVISION.</small>		DWN Ch.Witt	13JAN2006	tyco Electronics		tyco Electronics AMP GmbH D - 64625 Bensheim	
DIMENSIONS: mm		TOLERANCES UNLESS OTHERWISE SPECIFIED:		NAME ERGOCRIMP DIE SET MQS 0.63 mm Ergocrimp Matrize MQS 0.63 mm			
		0 PLC ± 1 PLC ± 2 PLC ± 3 PLC ± 4 PLC ± ANGLES ±1°		PRODUCT SPEC APPLICATION SPEC			
MATERIAL -		FINISH -		SIZE A3		CAGE CODE 00779	
				DRAWING NO C-5-1579001-1		RESTRICTED TO -	
				WEIGHT -		SCALE 2:1	
				CUSTOMER DRAWING		SHEET 1 OF 1 REV A	