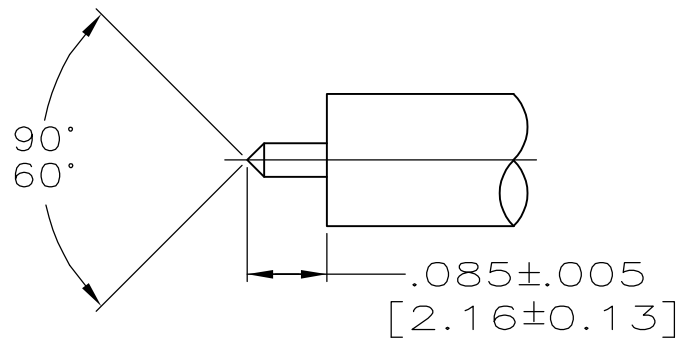
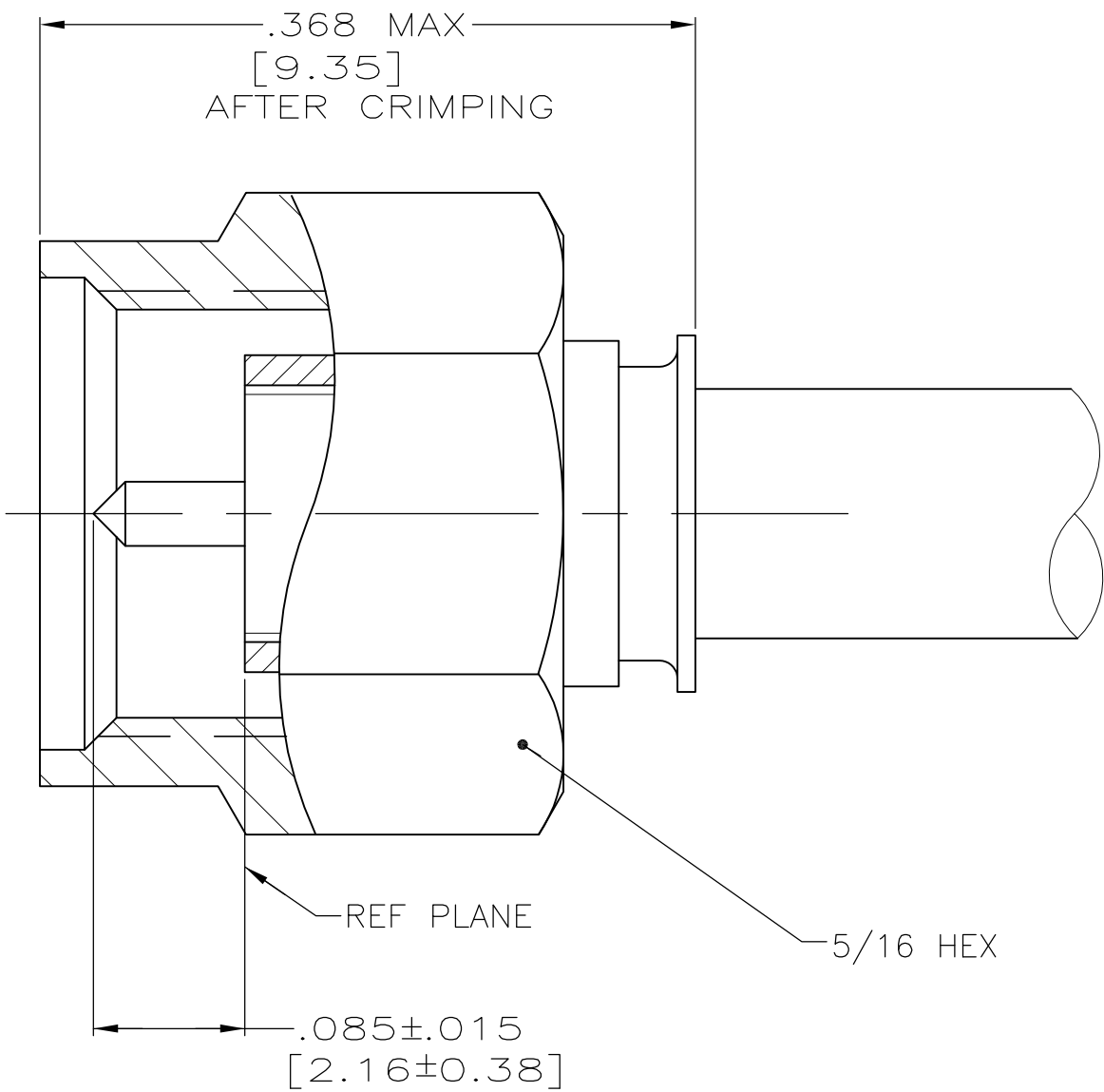
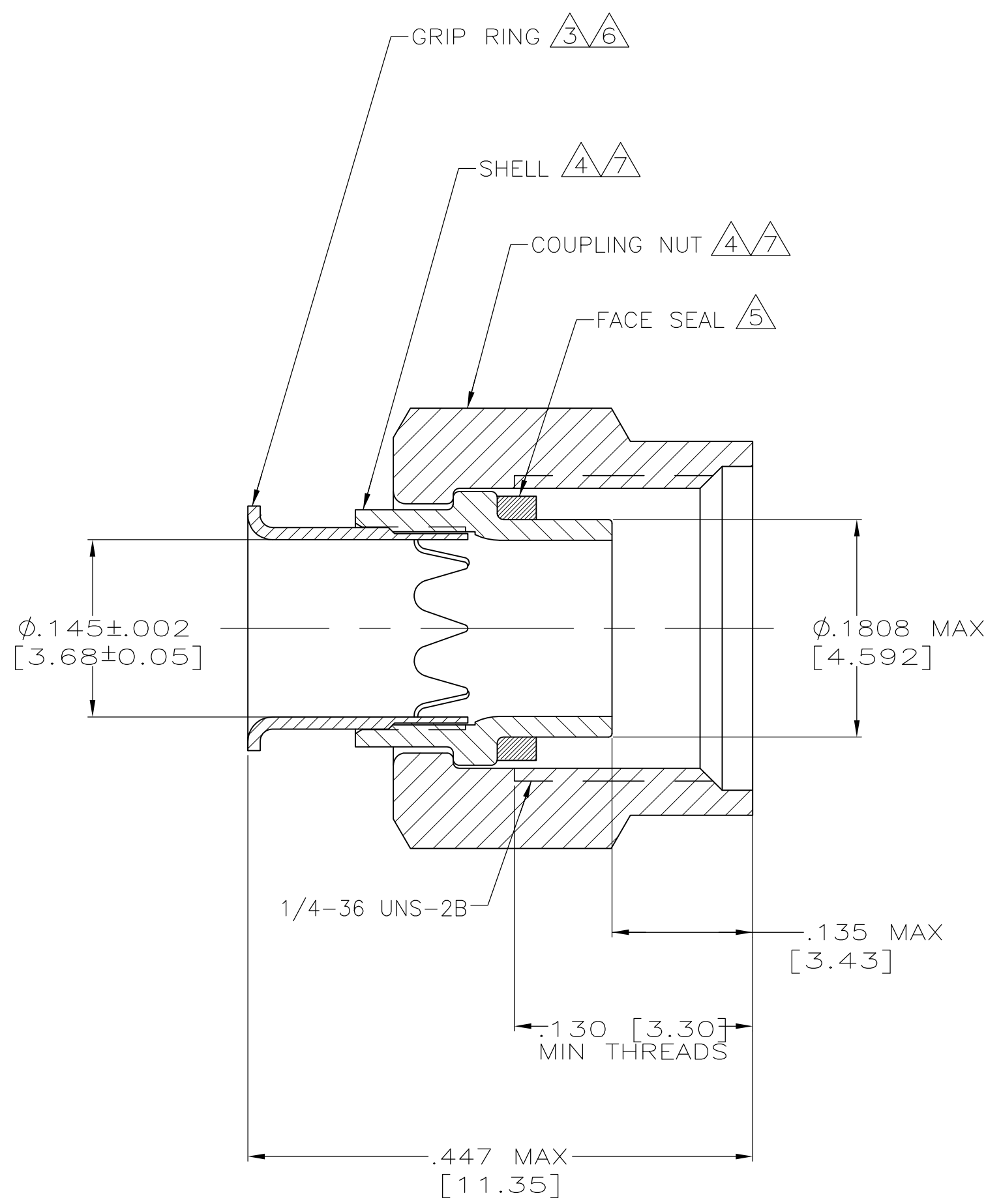


THIS DRAWING IS UNPUBLISHED. RELEASED FOR PUBLICATION
 © COPYRIGHT - By - ALL RIGHTS RESERVED.

LOC	DIST	REVISIONS					
		P	LTR	DESCRIPTION	DATE	DWN	APVD
AJ	16		G1	REVISED PER ECO-11-005030	11MAR11	RK	HMR



RECOMMENDED STRIP LENGTH
SCALE 5:1



1. FOR USE WITH RG-402/U, .141 [3.58] SEMI-RIGID CABLE.
2. SEE I.S. 6788.
3. BRASS PER ASTM-B-36
4. STAINLESS STEEL PER ASTM-A-582
5. SILICONE RUBBER PER ZZ-R-765
6. NICKEL PLATE PER QQ-N-290.
7. PASSIVATION PER ASTM A967
8. .500 [12.70] MIN LENGTH OF STRAIGHT CABLE REQUIRED TO APPLY THE CONNECTOR.

THIS DRAWING IS A CONTROLLED DOCUMENT.		DWN	C.C.THOMAS	8-2-93	TE TE Connectivity																	
DIMENSIONS: INCHES[mm]		CHK	J.CABARLO	8-17-93																		
TOLERANCES UNLESS OTHERWISE SPECIFIED:		APVD	J.CABARLO	8-17-93																		
<table border="1"> <tr><td>0 PLC</td><td>±</td><td>-</td></tr> <tr><td>1 PLC</td><td>±</td><td>-</td></tr> <tr><td>2 PLC</td><td>±</td><td>-</td></tr> <tr><td>3 PLC</td><td>±</td><td>-</td></tr> <tr><td>4 PLC</td><td>±</td><td>-</td></tr> <tr><td>ANGLES</td><td>±</td><td>-</td></tr> </table>		0 PLC	±	-		1 PLC	±	-	2 PLC	±	-	3 PLC	±	-	4 PLC	±	-	ANGLES	±	-	NAME	PLUG,SERIES SMA,RF
0 PLC	±	-																				
1 PLC	±	-																				
2 PLC	±	-																				
3 PLC	±	-																				
4 PLC	±	-																				
ANGLES	±	-																				
MATERIAL SEE CALLOUTS		FINISH	SEE CALLOUTS		SIZE	A2																
		WEIGHT	.063 OZ		CAGE CODE	00779																
		CUSTOMER DRAWING			DRAWING NO	C=227531-5																
		SCALE	10:1		SHEET	1 of 1																
		REV	G1		RESTRICTED TO	-																