

4

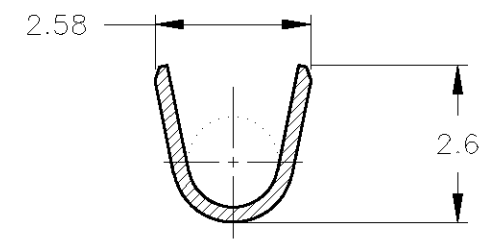
3

2

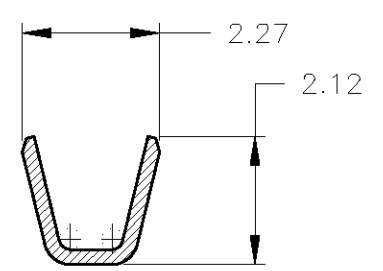
1

THIS DRAWING IS UNPUBLISHED. RELEASED FOR PUBLICATION .1998
 © COPYRIGHT 1998 BY AMP INCORPORATED. ALL RIGHTS RESERVED.

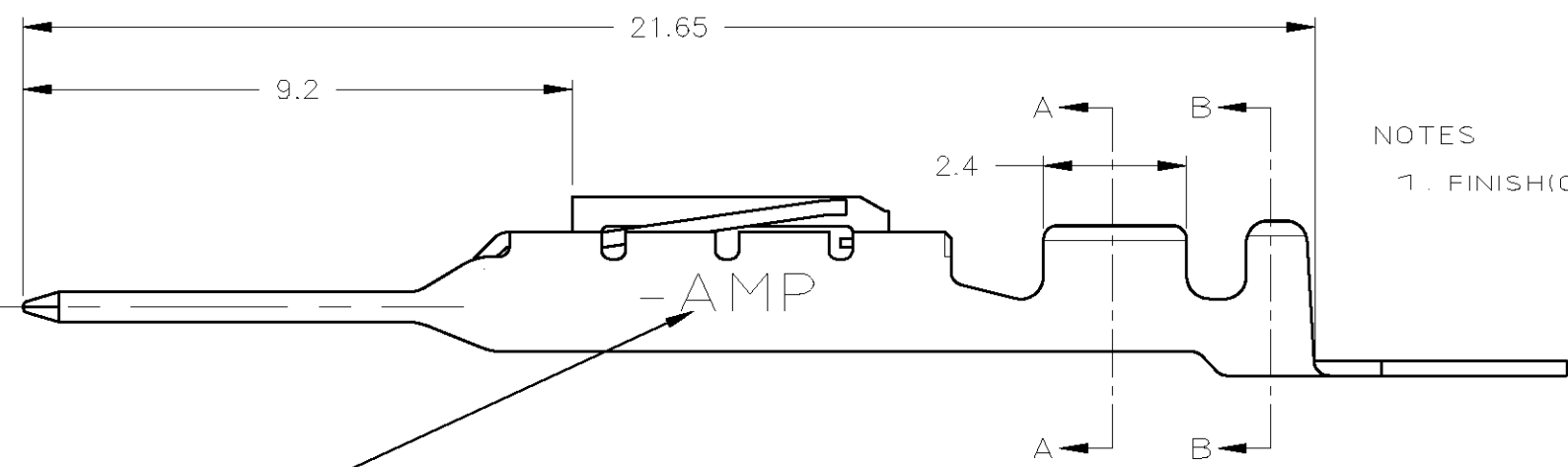
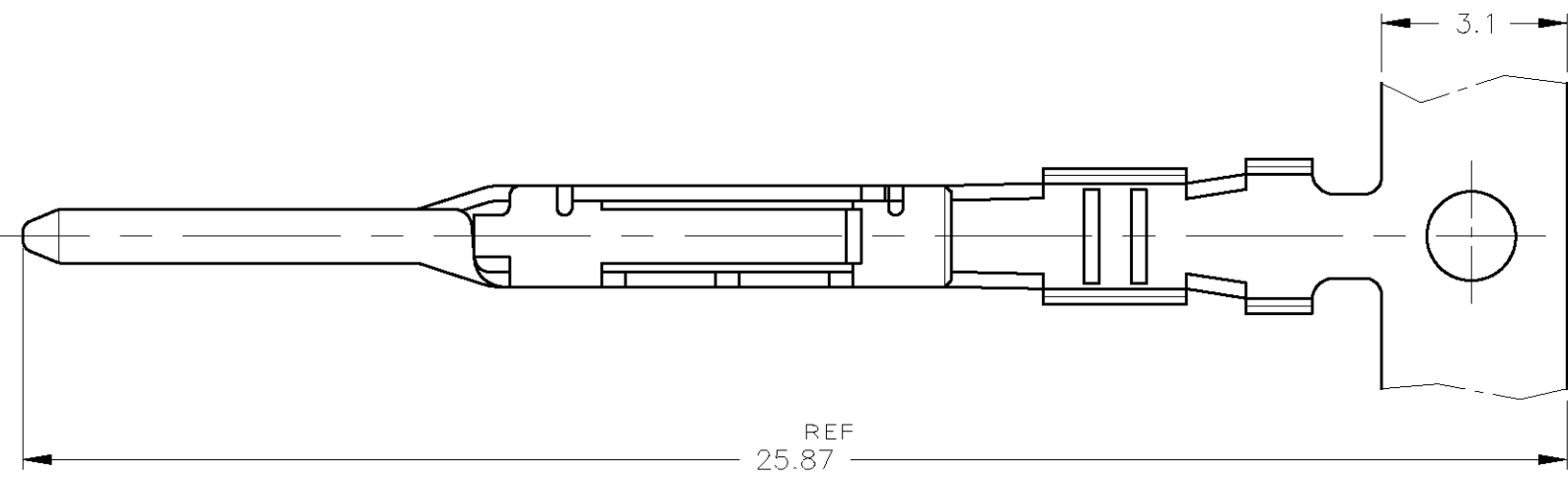
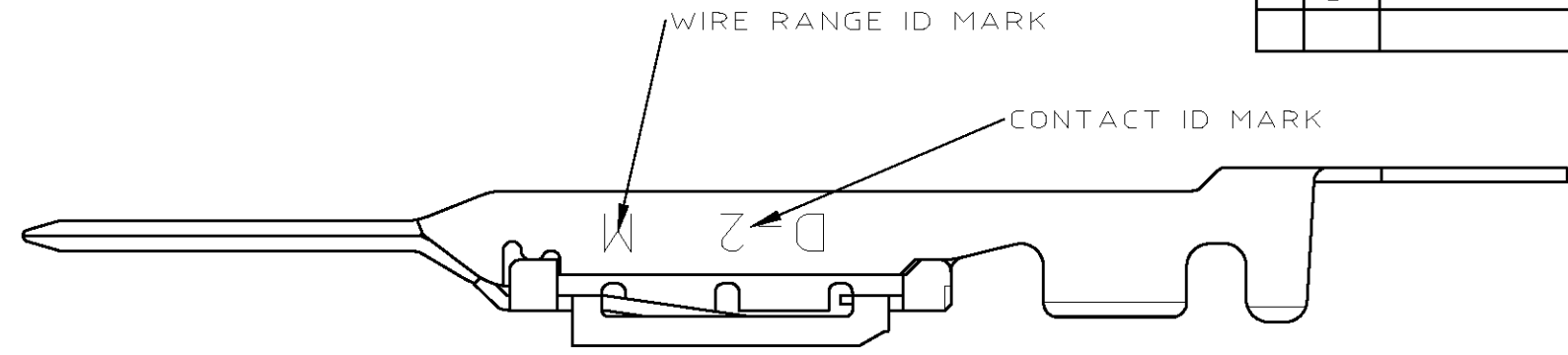
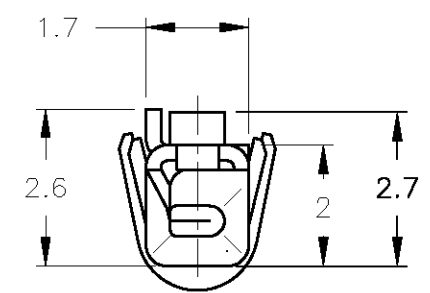
LOC		DIST		REVISIONS					
P	LTR	DESCRIPTION		ECN	DATE	DWN	APVD		
	B	REVISED		ECR-10-026389	28DEC10	TT	TM		



SECT B-B



SECT A-A



-1:AS SHOWN

NOTES
 1. FINISH (CONTACT AREA): 0.38 μm MIN GOLD PLATING OVER Ni PLATING

<small>THIS DRAWING IS A CONTROLLED DOCUMENT FOR AMP INCORPORATED. IT IS SUBJECT TO CHANGE AND THE CONTROLLING ENGINEERING ORGANIZATION SHOULD BE CONTACTED FOR THE LATEST REVISION.</small>		DWN: K.IKEDA 7/DEC/98 CHK: N.MATSUBARA 7/DEC/98 APVD: I.HASEGAWA 7/DEC/98
DIMENSIONS: mm	TOLERANCES UNLESS OTHERWISE SPECIFIED: . ±0.3 >10 : ±0.35 >30 : ±0.4 ANGLE : ±3°	PRODUCT SPEC: 108-5619 APPLICATION SPEC: 114-5258
MATERIAL: (COPPER ALLOY)	FINISH: SEE NOTE	WEIGHT: CUSTOMER DRAWING

WIRE RANGE		INSULATION DIA	
AWG #22~#18		1.3~1.9	
		Tyco Electronics Corporation Kawasaki, Japan	
TAB CONTACT "M" SIZE <DYNAMIC D-2 SERIES>			
SIZE	CAGE CODE	DRAWING NO	RESTRICTED TO
A3	00779	C-1318109	-
SCALE		SHEET	REV
8-1		1 OF 1	B