

MOLEX PART NO.	ENGINEERING NUMBER
1200390003	DND150L

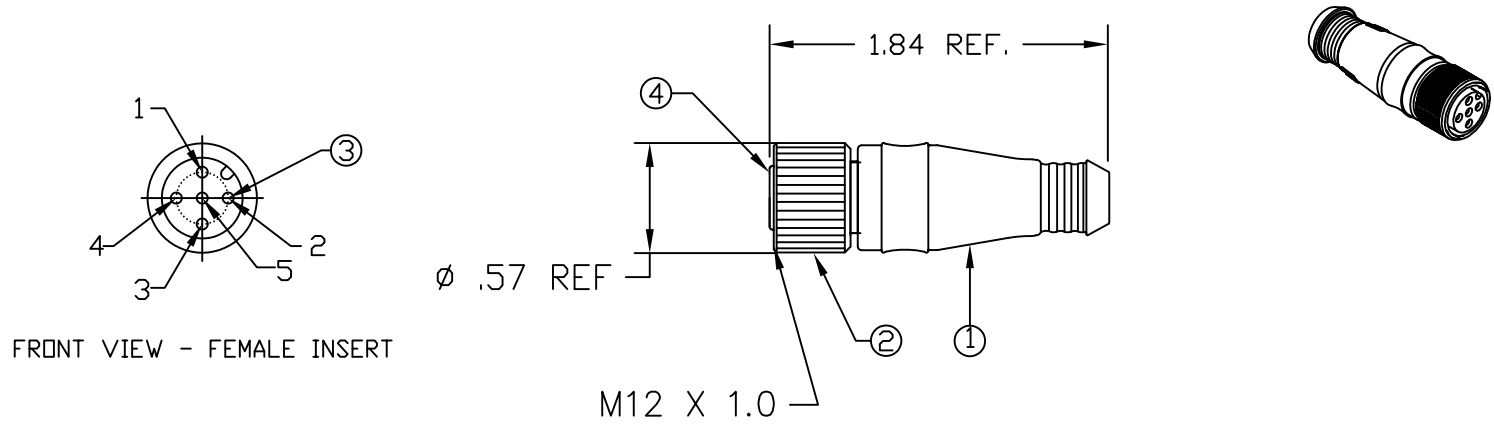
E

D

C

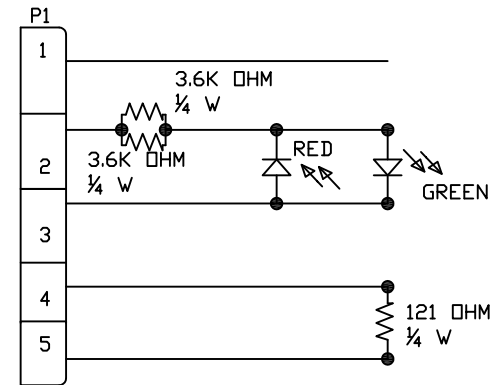
B

A



NOTES:

- 1) MATERIAL: SEE TABLE
- 2) FINISHES: SEE TABLE
- 3) ELECTRICAL DATA:
MAX. VOLTAGE: 30V DC
MAX. CURRENT 4A
- 4) ENVIRONMENTAL:
PROTECTION IP67
- 5) ASSEMBLY IS RoHS COMPLIANT.



WIRING DIAGRAM

		RELEASE		EC NO: WNA2010-0410		QUALITY SYMBOLS		GENERAL TOLERANCES (UNLESS SPECIFIED)		DIMENSION STYLE		SCALE		DESIGN UNITS		THIRD ANGLE PROJECTION	
		DRAWN: TWOLDEGE 2010/01/11		CHIKD: BWOODMAN		APPR: JFMURPHY 2010/01/20		mm INCH		IN/MM		1:1		INCH		☉	
		4 1 INSERT		NYLON		BLACK		4 PLACES ±--- ±---		DRAWN BY DATE		TITLE					
		3 5 SOCKET CONTACT		COPPER ALLOY		GOLD PLATED		3 PLACES ±--- ±.005		CHECKED BY DATE		MICRO D-NET TERMINATOR 5P FEMALE LED TERMINATOR DEVICE-NET					
		2 1 M12 COUPLING NUT		ZINC DIE-CAST		BLACK		2 PLACES ±0.13 ±.010		APPROVED BY DATE				MOLEX INCORPORATED			
		1 1 OVERMOLD		PVC		CLEAR		1 PLACE ±0.25 ±.020		JFMURPHY 2010/01/20		DOCUMENT NO.		SD-120039-002		SHEET NO.	
		ITEM QTY. DESCRIPTION MATERIAL FINISH		A		REV		ANGULAR ±1/2°		MATERIAL NO.		SEE CHART		1 OF 1			
								DRAFT WHERE APPLICABLE MUST REMAIN WITHIN DIMENSIONS		SIZE A							