

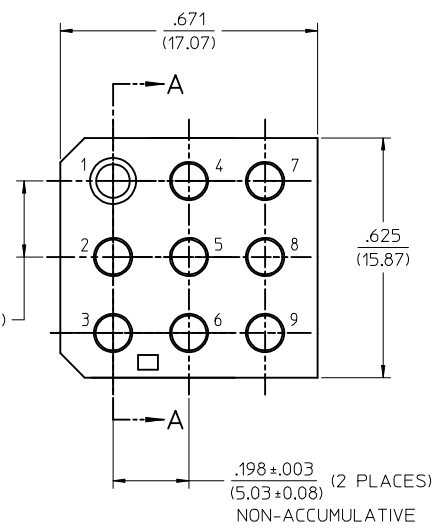
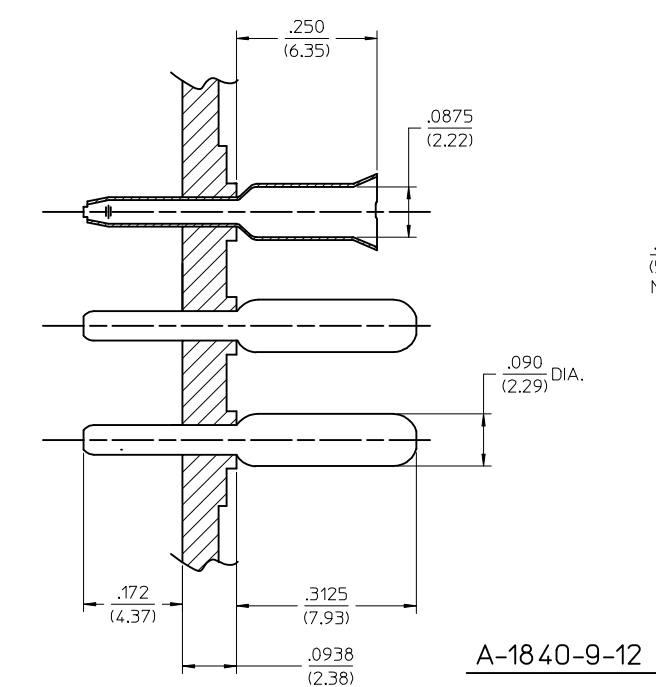
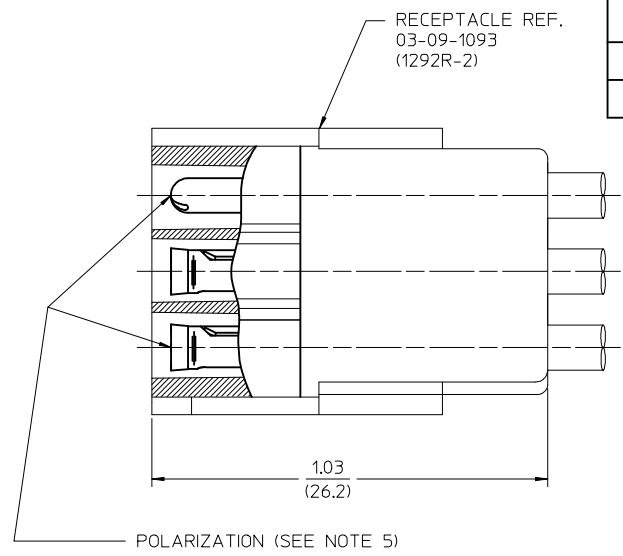
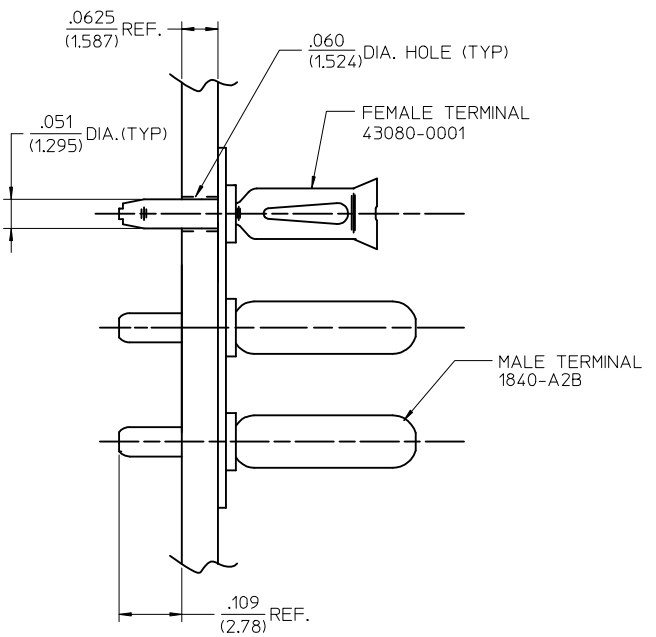
A-1840-6-4 SHOWN

PART NO.	ENGINEERING NO.	TERMINAL PATTERN					
		1	2	3	4	5	6
09-18-5061	A-1840-6-4	M	M	M	M	M	F
09-18-5062	A-1840-6-5	M	M	M	M	F	M
09-18-5064	A-1840-6-6	M	M	M	F	M	M
09-18-5069	A-1840-6-10	F	M	M	M	M	M

- MATERIAL:
BASE AND RECEPTACLE: NYLON PA66 PER 68200-0037, UL94V-2. COLOR: NATURAL
TERMINALS: MALE - C26000 ALLOY BRASS
FEMALE - C51000 PHOS. BRONZE
- FINISH:
999 - UNPLATED
102 - (MALE TERMINALS ONLY)
.000200/0.00508 MIN. TIN OVER
.000100/0.00254 MIN. COPPER
126 - (FEMALE TERMINALS ONLY)
.000050/0.00127 MIN. TIN
.000050/0.00127 MIN. NICKEL
- PRODUCT SPECIFICATION: N/A
- PACKAGING SPECIFICATION: PK-1840-001
- POLARIZATION ACCOMPLISHED THROUGH AN INTER-MIX OF MALE AND FEMALE TERMINALS. (MOLEX .093 TERMINALS)
- TERMINAL PATTERN CODE:
M = MALE TERMINALS
F = FEMALE TERMINALS
B = NO TERMINALS

ADD PKG SPECS EC NO: UCP2013-4695 DRW: AELHAG 2013/05/01 CHKD: JEBELL 2013/05/01 APPR: FSMITH 2013/05/13 REV:	QUALITY SYMBOLS	GENERAL TOLERANCES (UNLESS SPECIFIED)	DIMENSION STYLE	SCALE	DESIGN UNITS	THIRD ANGLE PROJECTION
	▽=0	mm INCH	IN/MM	6:1	INCH	
	▽=0	4 PLACES ± --- ± ---	DRAWN BY DATE	TITLE		
	▽=1	3 PLACES ± --- ± .005	EWC 1974/04/30	CONNECTOR		
	2 PLACES ± 0.13 ± .010	CHECKED BY DATE	PC BOARD WAFERCON			
	1 PLACE ± 0.25 ± ---	JBELL 2013/05/01	6 CIRCUIT			
	ANGULAR ± 1/2°	APPROVED BY DATE	MATERIAL NO.			
		FSMITH 2011/09/14	MOLLEX MOLEX INCORPORATED			
	DRAFT WHERE APPLICABLE MUST REMAIN WITHIN DIMENSIONS	SEE CHART	DOCUMENT NO.			
			1840-6-*			
			SHEET NO.			
			1 OF 1			
			THIS DRAWING CONTAINS INFORMATION THAT IS PROPRIETARY TO MOLEX INCORPORATED AND SHOULD NOT BE USED WITHOUT WRITTEN PERMISSION			

PART NO.	ENG. NO.	TERMINAL PATTERN								
		1	2	3	4	5	6	7	8	9
09-18-5094	A-1840-9-12	F	M	M	M	M	M	M	M	M
09-18-5098	A-1840-9-5	F	M	M	M	M	M	F	M	M



- NOTES:
- MATERIAL:
BASE AND RECEPTACLE: NYLON PA66, UL94V-0, COLOR: NATURAL
TERMINALS: MALE - BRASS ALLOY
FEMALE - PHOSPHOR BRONZE ALLOY
 - FINISH:
MALE TERMINALS: .000200/0.00508 MIN. TIN OVER
.000100/0.00254 MIN. COPPER
FEMALE TERMINALS: .000050/0.00127 MIN. TIN OVER
.000050/0.00127 MIN. NICKEL
 - PRODUCT SPECIFICATION: N/A
 - PACKAGING SPECIFICATION: PK-1840-001
 - POLARIZATION ACCOMPLISHED THROUGH AN INTER-MIX OF MALE AND FEMALE TERMINALS. (MOLEX .093 TERMINALS)
 - TERMINAL PATTERN CODE:
A.) M = MALE TERMINALS
B.) F = FEMALE TERMINALS
C.) B = NO TERMINALS
 - PARTS TO BE MOUNTED ON SUPPORTED EDGE OF P.C. BOARD.

SCALE: 4:1

A-1840-9-12 SHOWN

SECTION "A-A"

ADD PKG SPECS EC NO: UCP2013-4695 DRW: AELHAG 2013/05/01 CHKD: JBELL 2013/05/01 APPR: FSMITH 2013/05/13	QUALITY SYMBOLS	GENERAL TOLERANCES (UNLESS SPECIFIED)	DIMENSION STYLE	SCALE	DESIGN UNITS	THIRD ANGLE PROJECTION
	▽=0	mm INCH	IN/MM	6:1	INCH	
	▽=0	4 PLACES ± --- ± ---	DRAWN BY DATE	EWC 1974/04/30	TITLE	
	▽=0	3 PLACES ± --- ± .005	CHECKED BY DATE	JBELL 2013/05/01	CONNECTOR PC BOARD WAFERCON 9 CIRCUIT	
	2 PLACES ± 0.13 ± .010	APPROVED BY DATE	FSMITH 2011/09/14	MOLEX INCORPORATED		
	1 PLACE ± 0.25 ± ---	MATERIAL NO.	SEE CHART	DOCUMENT NO.	SDA-1840-9-*	SHEET NO. 1 OF 1
	ANGULAR ±1/2°	THIS DRAWING CONTAINS INFORMATION THAT IS PROPRIETARY TO MOLEX INCORPORATED AND SHOULD NOT BE USED WITHOUT WRITTEN PERMISSION				
	DRAFT WHERE APPLICABLE MUST REMAIN WITHIN DIMENSIONS					