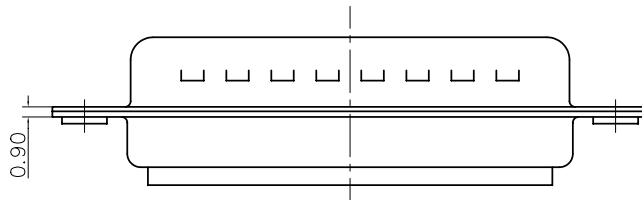
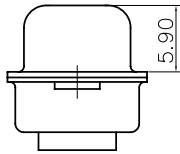
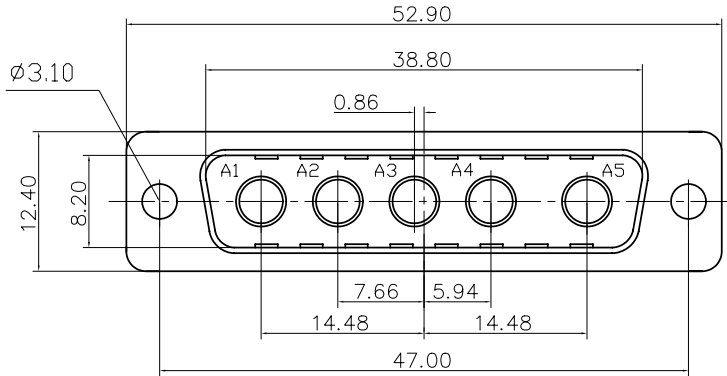


This document is the property of Amphenol Corporation and is delivered on the express condition that it is not to be disclosed, reproduced or used, in whole or in part, for manufacture or sale by anyone other than Amphenol Corporation without its prior consent, & that no right is granted to disclose or to use any information in this document.



Customer drawing

REVISIONS				
SYM	ECN	DESCRIPTION	DATE	APPROVED
A			12/14/07	

D-SUB TECHNICAL DATA

SHELL : Steel 2.5um(100u") min tin over 1.25um(50u") min nickel
 BODY : Glass filled thermoplastic.
 Flame retardant to UL94 V-0 color black
 ELECTRICAL : Withstanding Voltage >1000 V RMS at 50 Hz for one minute
 Insulation resistance >5000 M Ohms
 CLIMATIC : Temperature range -55 °C up to 155°C
 Damp heat 56 days(40 °C-95% HR)
 MARKING : Amphenol...(Series No.)
 Manufacturing date
 Commercial reference

PRODUCT CODE

L 717TW B 5W5 P

L: RoHS Compliance

Contact type:
P: Male

Configuration: 5W5

717TW: tin plated shell
with dimples

Shell Size :B

UNLESS OTHERWISE SPECIFIED TOLERANCES		APPROVAL	DATE
	U.S.		
.X	+/-	DRAWN	Christina.cui 12/14/07
.XX	+/-	CHECKED	tk.wang 12/14/07
.XXX	+/-	CHECKED	
FRACTIONS	+/-		
ANGLES	+/-		
FOR MATERIALS AND FINISHES SEE NOTES		DRAWING FILE :	
REMOVE SHARP EDGES		ANGLE OF PROJECTION	
DIMENSIONS			
U.S.	INCHES		
METRIC	MM		

Amphenol		
TITLE Hybrid connector, TW series		
SIZE	DRAWING NO.	REV.
A4	C L717TWB5W5P	A
SCALE	NONE	SHEET 1 OF 1