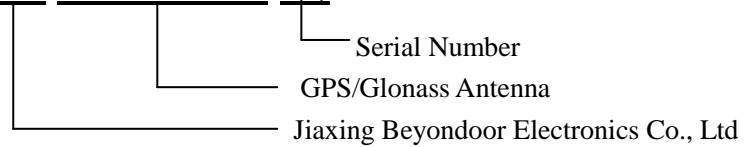




GPS/Glonass Antenna Specification

(Model: BY-GPS/Glonass-03)



(I) Product Overview

Dielectric Antenna

Frequency (MHz): 1575/1602

Center Frequency (MHz): 1590

VSWR: 1.5:1

Bandwidth (MHz): ± 5

Impedance (Ω): 50

Peak Gain $> 3\text{dBi}$ Based on $7\text{cm} \times 7\text{cm}$ ground plane

Gain Coverage $> -4\text{dBi}$ at $-90^\circ < 0 < +90^\circ$ (over 75% Volume)

Polarization: RHCP

(ii) LNA/Filter

LNA Gain (Without cable) (dBi): 28 Typical

Noise Figure (dB): 1.5

Filter Out Band Attenuation ($f_0=1595\text{ MHz}$)

7dB Min $f_0 \pm 20\text{MHz}$;

20dB Min $f_0 \pm 50\text{MHz}$;

30dB Min $f_0 \pm 100\text{MHz}$

VSWR < 2.0

DC Voltage (V): 2.7/3.0/3.3/5.0/3.0 to 5.0 etc.

DC Current (mA): 11Max

(iii) Mechanical

Weight (gram) < 110

JIAXING BEYONDOOR ELECTRONICS CO.,LTD

Address: #101, Weiyi West Road, Dongzha Economic Zone ,Jiaxing 314000,Zhejiang,China

<http://www.beyondoor.com>

Tel:+86-573-82127009

Fax:+86-573-82052070

E-MAIL: sales@beyondoor.com or firstgps@hotmail.com

SKYPE NAME: beyondoorgps

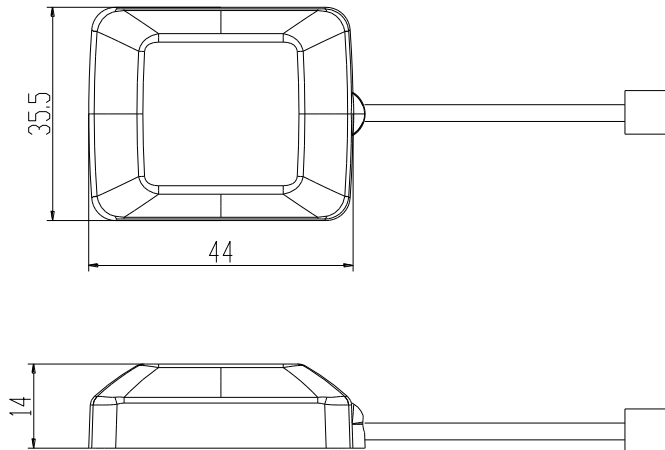
Size (mm): 44.0×35.5 ×14.0

Cable Length (m): 2,3 etc.

Connector: SMA/SMB/SMC/BNC/FME/TNC/MCX/MMCX etc.

Mounting: Magnetic base

Housing : Black



(iv) **Environmental**

Working Temp: -40°C~+85°C

Storage Temp: -45°C~+100°C

Vibration: Sine sweep 1g(0-p)10~50~10Hz each axis

Humidity: Humidity95%~100%RH

Weatherproof: 100%Waterproof