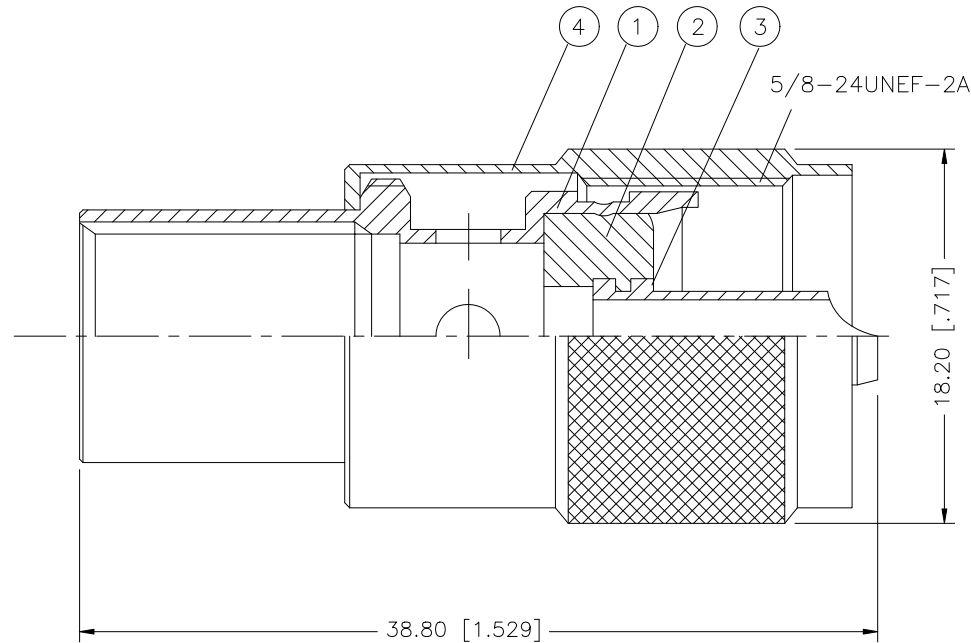


REV.	DATE	ECR NO.	DESCRIPTION
NC	02/17/98	-	INITIAL RELEASE
A	01/05/06	-	UPDATE DRAWING FORMAT
B	12/11/08	-	REVISE COUPLING BODY TO SILVER PLATING
C	03/24/09	-	REVISE INTERNAL BODY CONFIGURATION



				UNLESS OTHERWISE SPECIFIED DIMENSIONS ARE IN MILLIMETERS. DIMENSIONS IN [] ARE IN INCHES AND FOR CUSTOMER REFERENCE ONLY.	APPROVALS	DATE	Amphenol Connex			
8				UNLESS OTHERWISE SPECIFIED TOLERANCES FOR MILLIMETERS ARE: 0.5 - 8mm ± 0.20mm 8 - 30mm ± 0.40mm 30 - 120mm ± 0.50mm UNLESS OTHERWISE SPECIFIED TOLERANCES FOR INCHES ARE: .020 - .315 = ± 0.007" .315 - 1.180 = ± 0.015" 1.180 - 4.724 = ± 0.020"	DRAWN GRS	03/24/09		PART DESCRIPTION UHF SOLDER PLUG (FOR RG-8/U, 11/U CABLE)		
7			CHECKED							
6					ISSUED					
5					SHEET 1 OF 1			PART NO. 182116		
4	CONTACT PIN	BRASS	SILVER		1					
3	INSULATOR	BAKELITE BROWN	YELLOW	1						
2	BODY	BRASS	SILVER	1						
1	SHELL	BRASS	NICKEL	1						
	DESCRIPTION	MATERIAL	FINISH	QTY	DO NOT SCALE DRAWING	CAD FILE C:/182/182116.DWG	DWG. NO. 182116.DWG	REV. C	SIZE A	SCALE NA