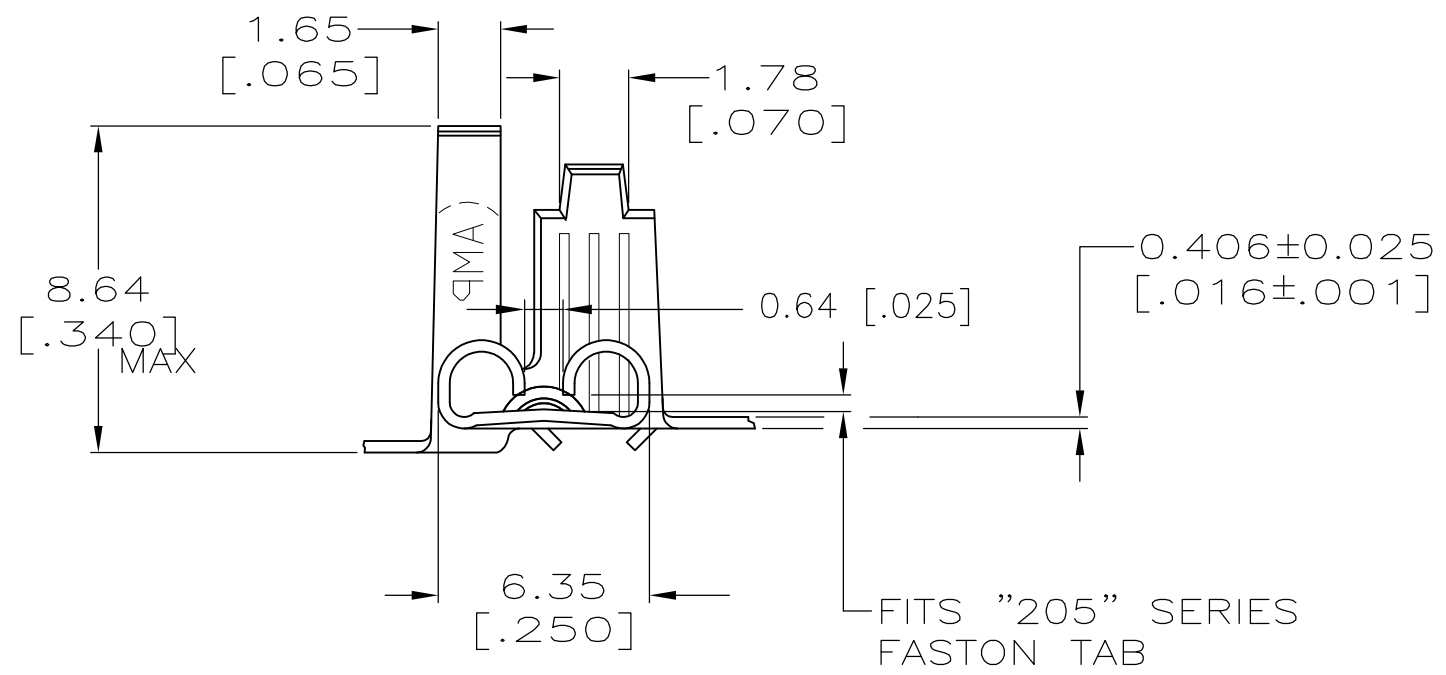
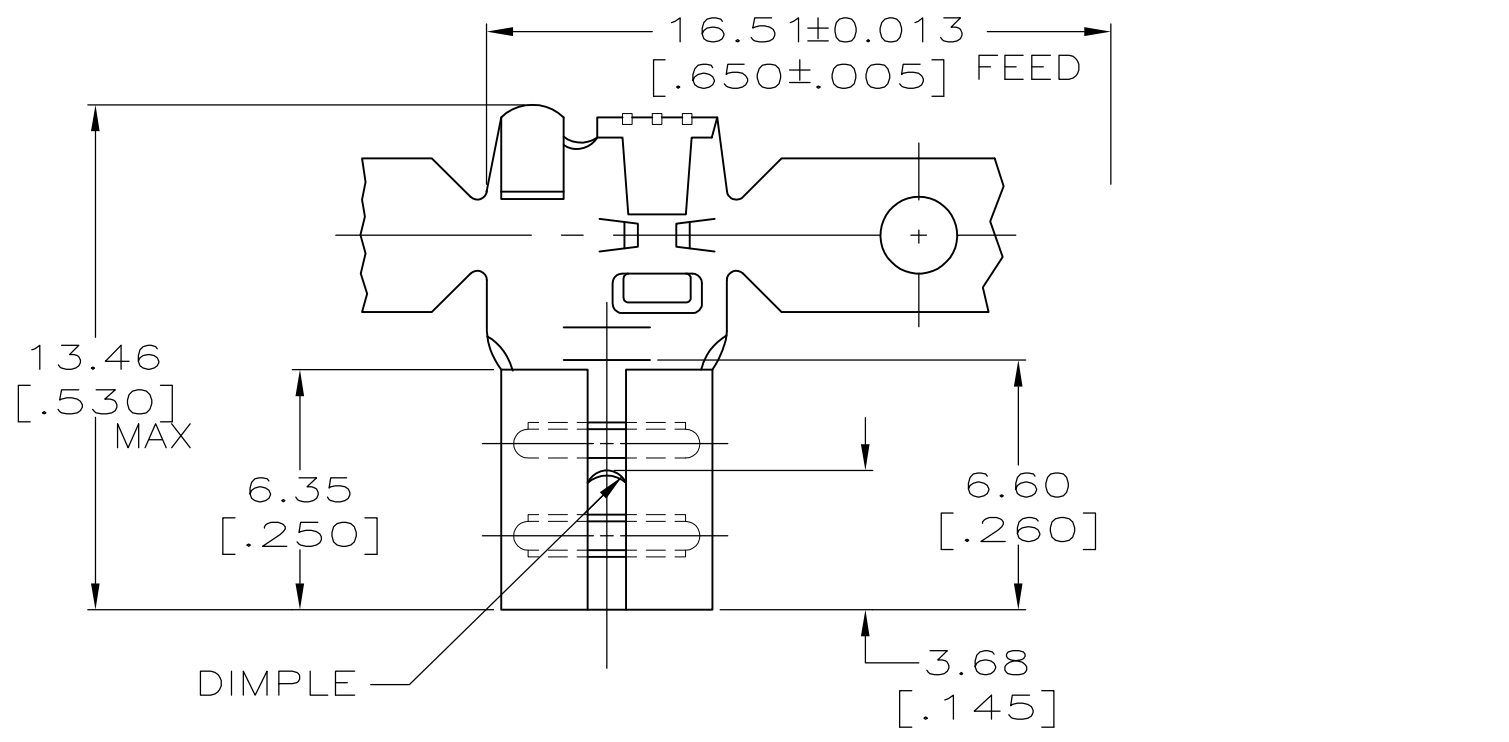


THIS DRAWING IS UNPUBLISHED. RELEASED FOR PUBLICATION  
 © COPYRIGHT 1963 By - ALL RIGHTS RESERVED.

LOC	DIST	REVISIONS					
		P	LTR	DESCRIPTION	DATE	DWN	APVD
AF	50		R	REVISED PER ECR-12-013445	09NOV12	KH	PD



- CONTINUOUS STRIP ON REELS.
- WIRE SIZE IS [#20-#14] AWG.
- INSULATION RANGE TO BE 2.79-4.32 [.110-.170] DIA.
- MATING TAB THK TO BE 0.813±0.025 [.032±.001].

-	T3 PHOS BRONZE	42234-5
-	-	-
-	-	-
TIN	BRASS	42234-2
-	H04 BRASS	42234-1
FINISH	MATERIAL	PART NO

THIS DRAWING IS A CONTROLLED DOCUMENT.		DWN M.S. FEHER 25NOV2003	<b>STE</b> TE Connectivity	
DIMENSIONS: mm [INCHES]		CHK P DESANTIS 25NOV2003		
TOLERANCES UNLESS OTHERWISE SPECIFIED:		APVD P DESANTIS 25NOV2003	NAME RECEPTACLE, FASTON, FLAG, 5.21 [.205] SERIES	
0 PLC ± -		PRODUCT SPEC	-	
1 PLC ± -		APPLICATION SPEC	-	
2 PLC ± 0.25[.010]		114-2078	SIZE	CAGE CODE
3 PLC ± -		WEIGHT	A3	00779
4 PLC ± -		CUSTOMER DRAWING	DRAWING NO	C-42234
ANGLES ± -		SCALE	5:1	SHEET
MATERIAL SEE TABLE		FINISH SEE TABLE	RESTRICTED TO	1 OF 1
		REV	R	