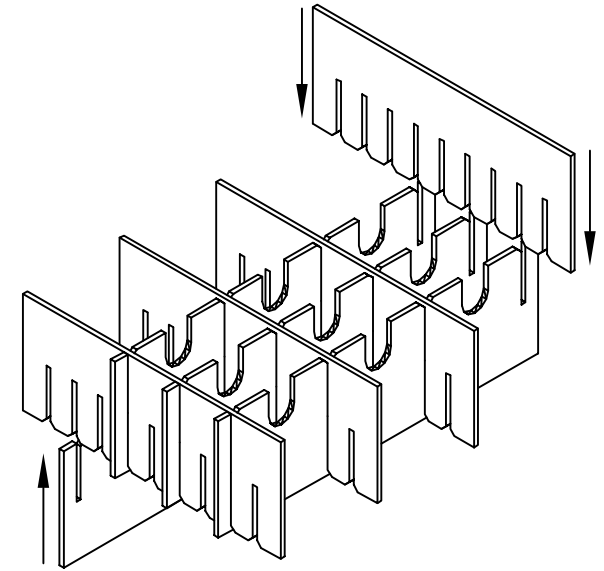
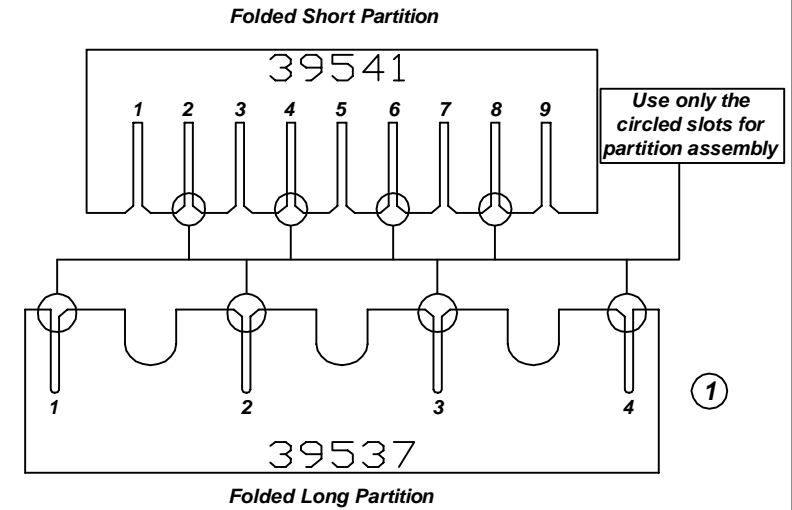
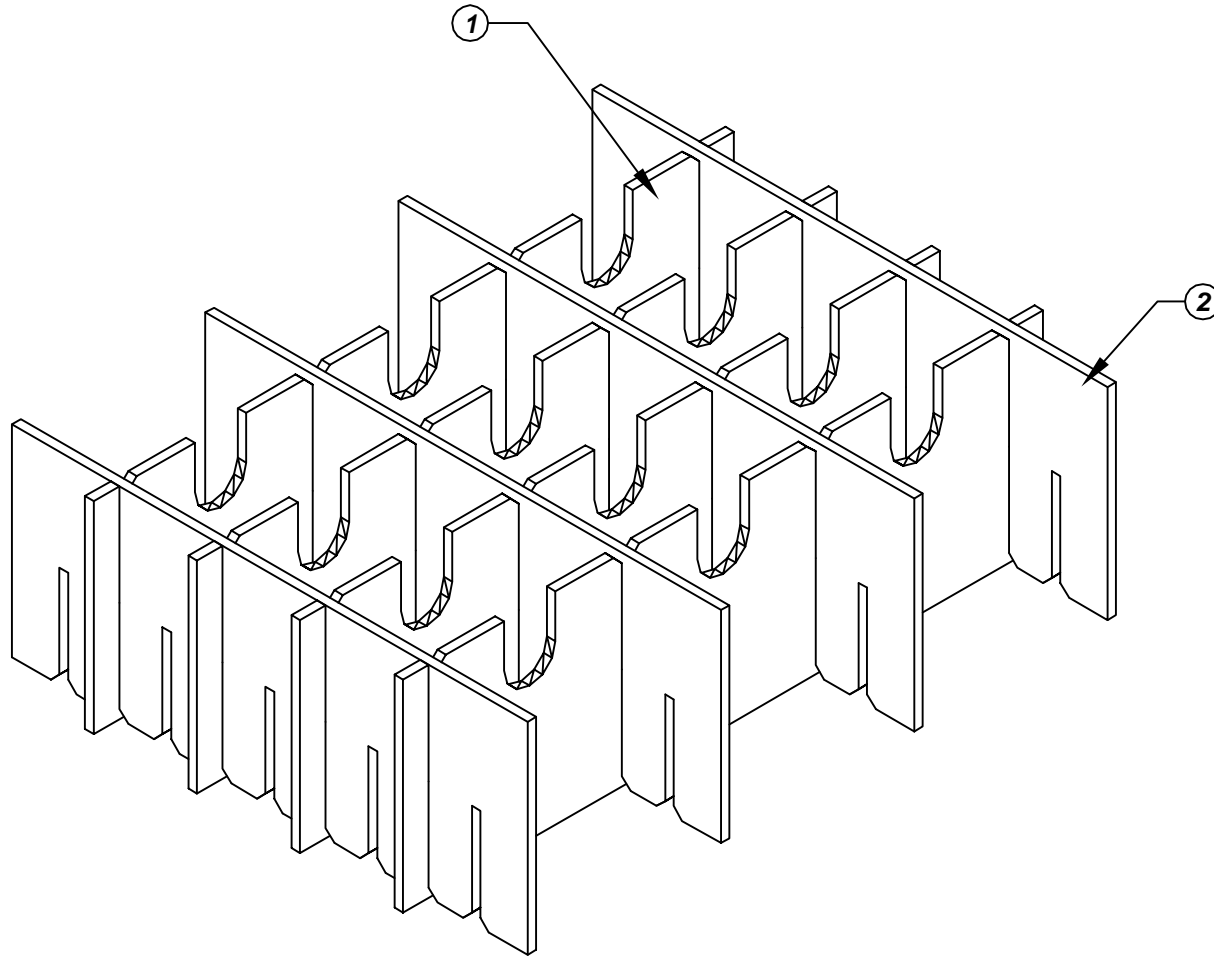


Assembly Instructions for - 37206



Made in America

F/N ①	Part # 39537	Dimensions: 12" x 18-5/8"	Description: 406/468-LP-10/30 Long Partition	Qty: 4
F/N ②	Part # 39541	Dimensions: 12" x 15"	Description: 406-SP-10	Qty: 4

37206 - 15 Cell Inplant Handler
Cell Size - 5-7/8" x 5-3/8" x 2-3/4"

Notes:
 For use with the following storage container & lid:
 37506 - Storage Container
 37554 - Lid

PROTEKTIVE PAK
 13520 MONTE VISTA AVENUE, CHINO, CA 91710
 PHONE (909) 627-2578, FAX (909) 363-7331
 ProtektivePak.com



DRAWING NUMBER
IPH-37206

DATE
 Nov.
 2007