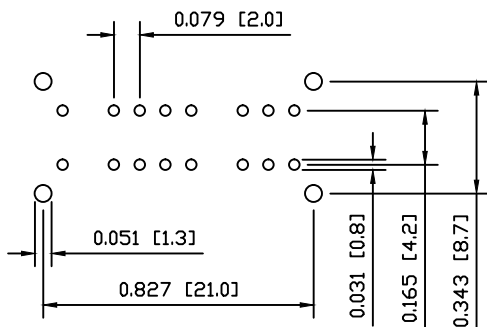
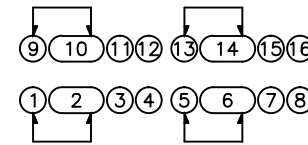


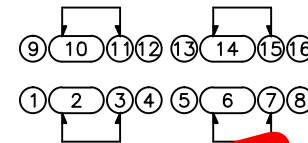
SUGGESTED PCB LAYOUT



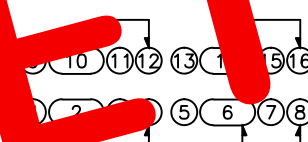
SCHEMATIC



POSITION 1
(MAINTAINED)



POSITION 2
(MAINTAINED)



POSITION 3
(MAINTAINED)

SPECIFICATIONS

FUNCTION:
4P3T ON-ON-ON

RATINGS:
0.5A 50VDC

CONTACT RESISTANCE:
Initial: 30mΩ Max.

INSULATION RESISTANCE:
500MΩ Min. at 500VDC

DIELECTRIC STRENGTH:
500VAC For 1 Minute

ELECTRICAL LIFE:
10,000 Cycles

OPERATING FORCE:
400 ± 20 GRAMS

APPROVALS:



MATERIALS

UPPER BODY:
Steel

LOWER BODY:
Penolic Board, UL94 HB

ACTUATOR:
Polyoxymethylene (POM), UL94 HB

CONTACTS:
Silver Plated

TERMINALS:
Silver Plated

COLORS

BODY:
Metallic

ACTUATOR:
Black



LSS-430101A5

DIMENSIONS	
INCHES [MILLIMETERS]	
GENERAL TOLERANCES	
±0.008 [±0.2] / ±1*	

A	INITIAL RELEASE	21501	7/7/14	EBP	SCALE	PROJECTION	DRAWING NUMBER	DATE	REVISION
REV.	DESCRIPTION	PCR	DATE	DRAWN BY	DRAWING NOT TO SCALE	1	03-LSS430101A5	JULY 7, 2014	A

OBSOLETE
March 2015