
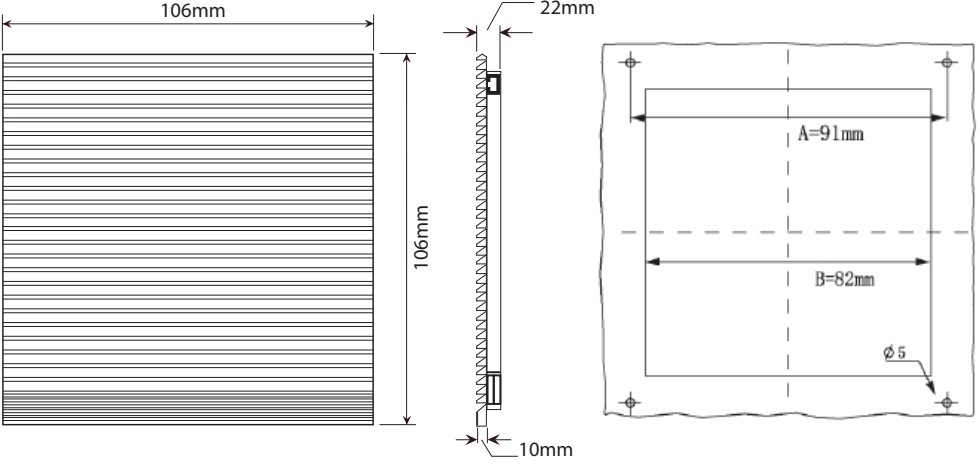


Louvered Fan Guards


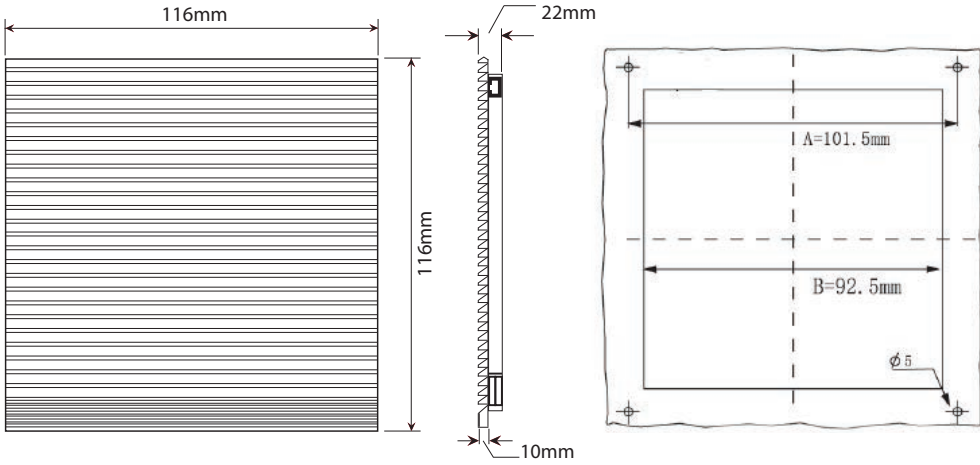


Filter Kits for 80mm (3.15") & 92mm (3.62") Fans

LFG80 Filter Kit for 80mm fan

LFG92 Filter Kit for 92mm fan

| Part Number | LFG80 | LFG92 |
|-----------------------------|---|-------|
| Frame Description | ABS Resin - flame resistant UL94V-0, with UV protection. Vents with screens at 45-degree angle. High foam sealing edge - protection grade IP44-IP54 on LFG92 only | |
| Filter Mesh Material | Nylon Fiber - Synthetic Resin, filters to 8 microns. | |
| Color | Gray is standard. Black is available on request. To specify black add "B" to the part number. Minimums may apply. | |
| Hardware | 1 bag - 4 ea. M4x14, nut | |

Installation Method

