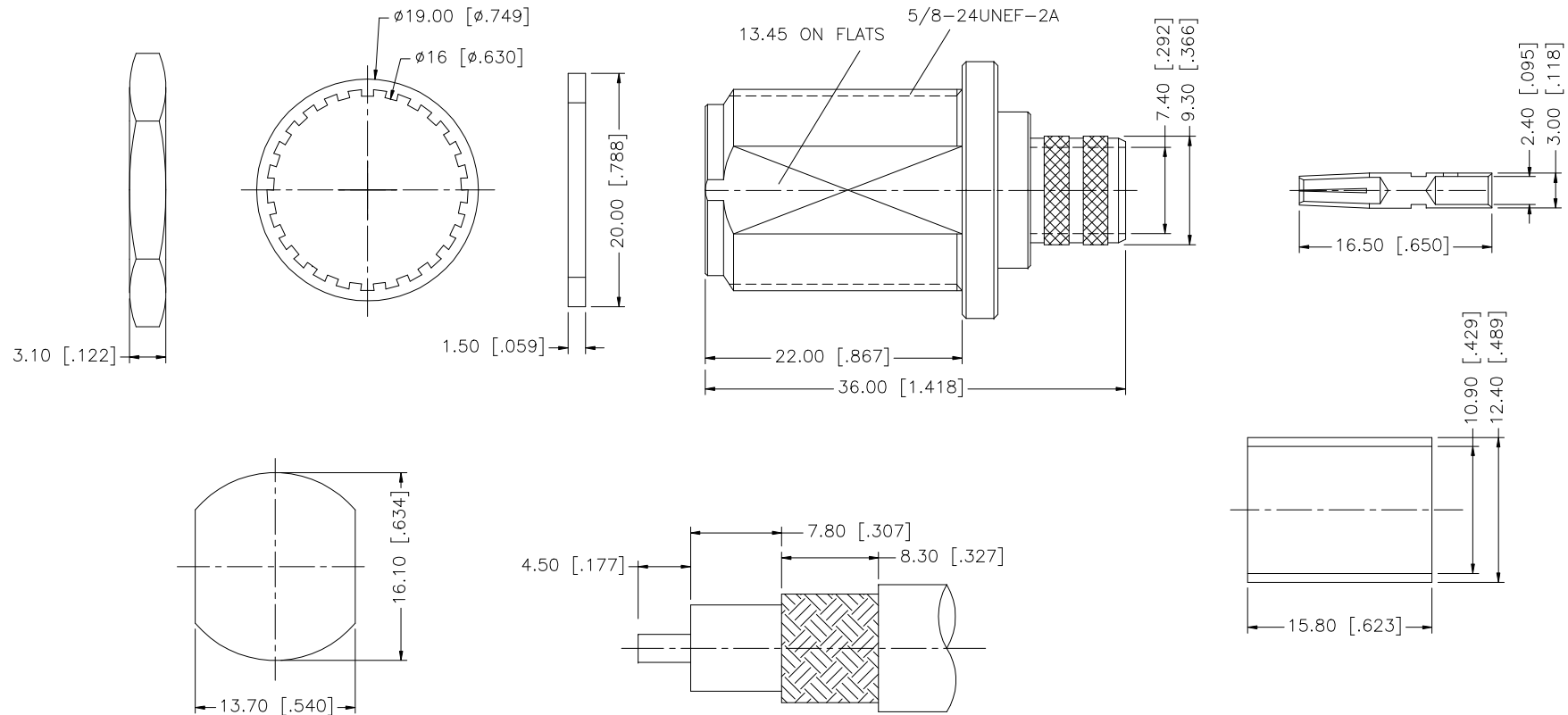


REV.	DATE	DESCRIPTION
NC	07/31/96	INITIAL RELEASE
A	11/16/05	UPDATE DRAWING FORMAT



RECOMMENDED MOUNTING HOLE

RECOMMENDED CABLE STRIPPING DIMS.

NOTE:

1. CRIMPED FERRULE  
HEX CRIMP SIZE .429"
2. HEX CRIMP SIZE .100"

QTY	DESCRIPTION	MATERIAL	FINISH	QTY	DO NOT SCALE DRAWING	CAD FILE	DWG. NO.	REV.	SIZE	SCALE		
1	8	FERRULE	COPPER	NEXCOTE	1	UNLESS OTHERWISE SPECIFIED DIMENSIONS ARE IN MILLIMETERS. DIMENSIONS IN [ ] ARE IN INCHES AND FOR CUSTOMER REFERENCE ONLY.  UNLESS OTHERWISE SPECIFIED TOLERANCES FOR MILLIMETERS ARE: 0.5 - 8mm ± 0.20mm 8 - 30mm ± 0.40mm 30 - 120mm ± 0.50mm  UNLESS OTHERWISE SPECIFIED TOLERANCES FOR INCHES ARE: .020 - .315 = ± 0.007" .315 - 1.180 = ± 0.015" 1.180 - 4.724 = ± 0.020"	C:/172/172108.DWG	172108.DWG	NC	A	NA	
1	7	CONTACT PIN	PHOS. BRONZE	GOLD	1							
1	6	HEX NUT	BRASS	NEXCOTE	1							
1	5	LOCK WASHER	BRASS	NEXCOTE	1							
1	4	GASKET	SILICONE	RED	1							
1	3	BARREL	BRASS	NEXCOTE	1	APPROVALS	DATE	<b>Amphenol Connex</b>  PART DESCRIPTION <b>N BULKHEAD CRIMP JACK</b> <b>(FOR 8/U, 8A/U 213/U CABLE)</b>  PART NO. <b>172108</b>				
1	2	INSULATOR	TEFLON	NATURAL	1	DRAWN	G.R.S.					11/16/05
1	1	BODY	BRASS	NEXCOTE	1	CHECKED						
						ISSUED						
						SHEET	1 OF 1					