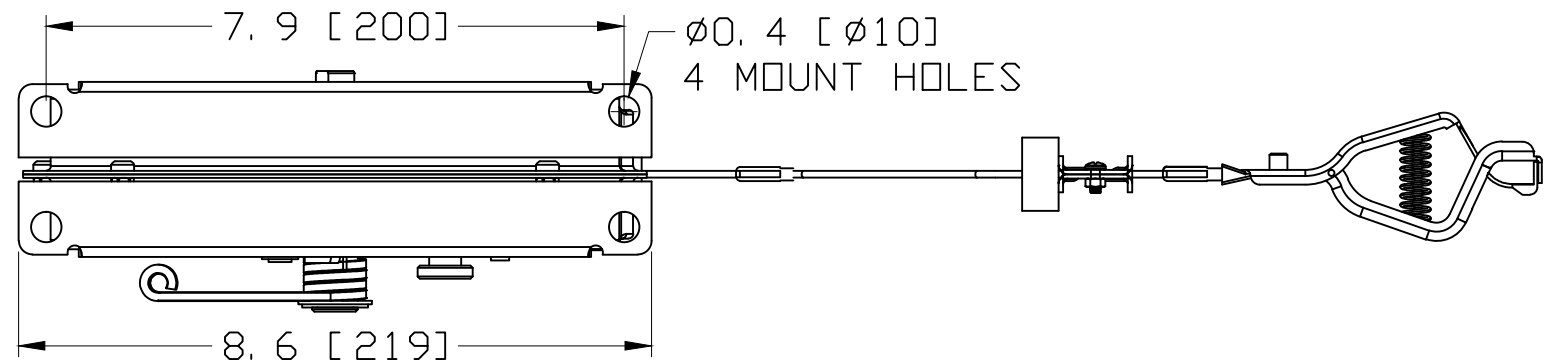
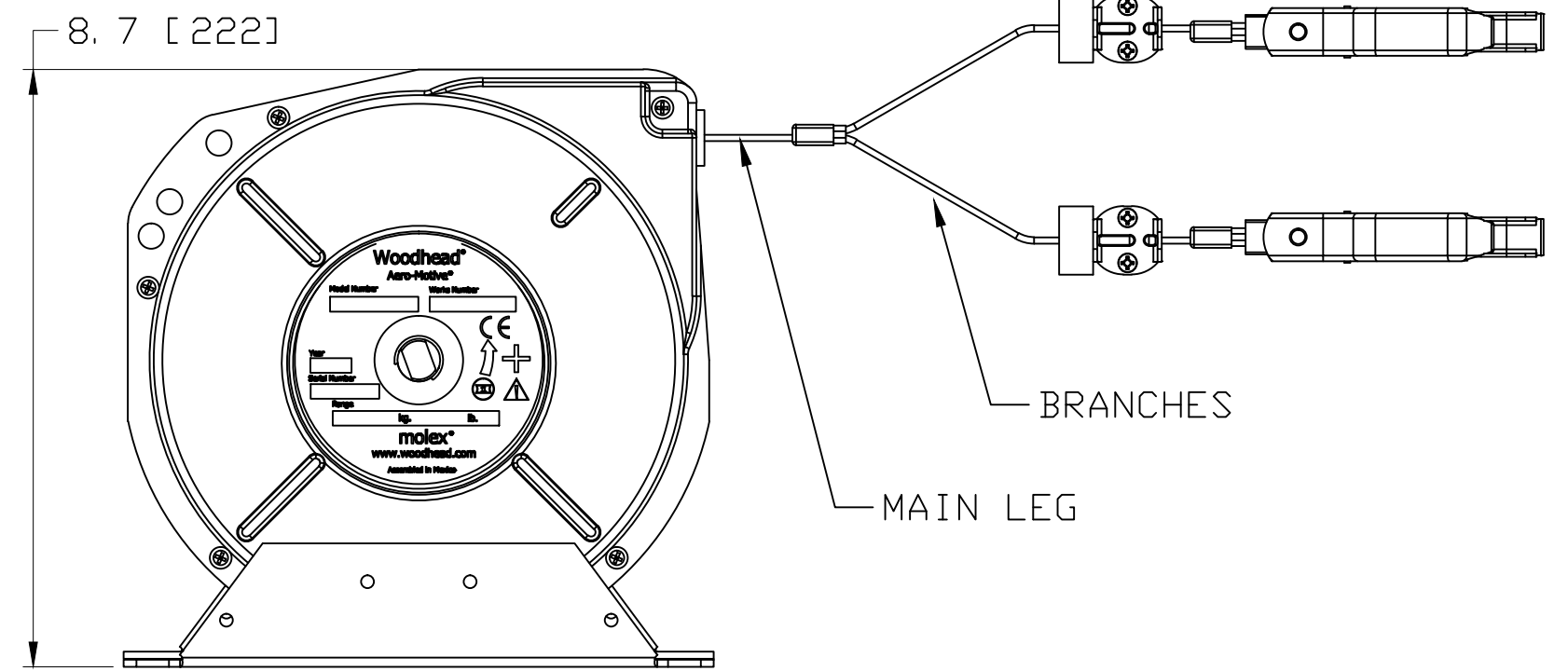
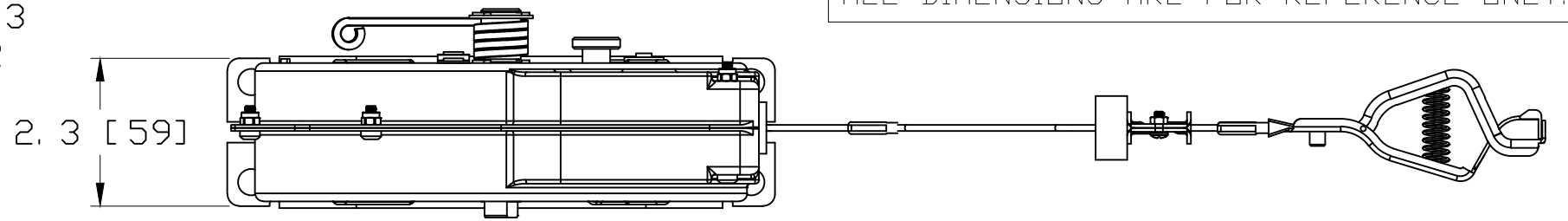
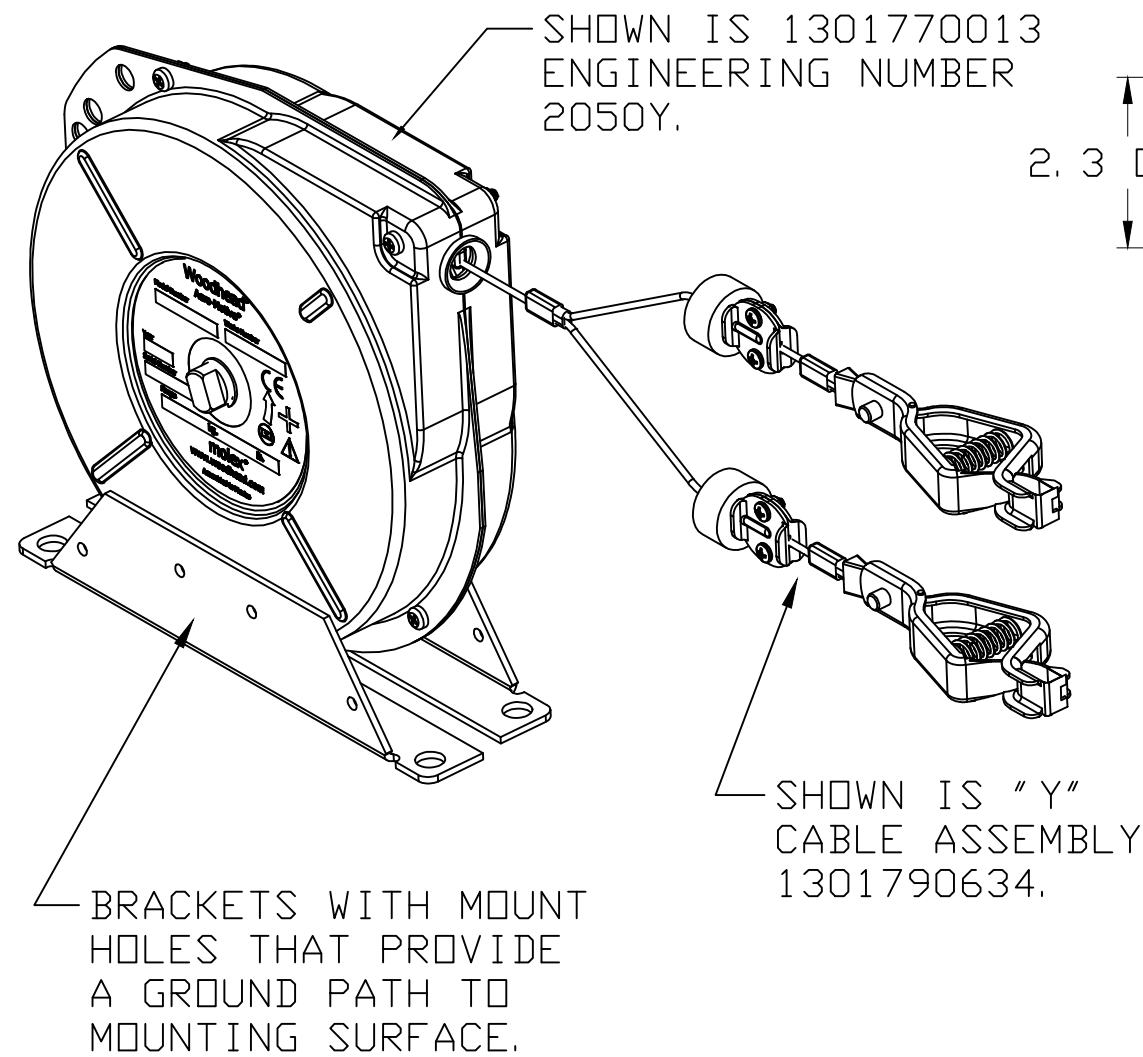


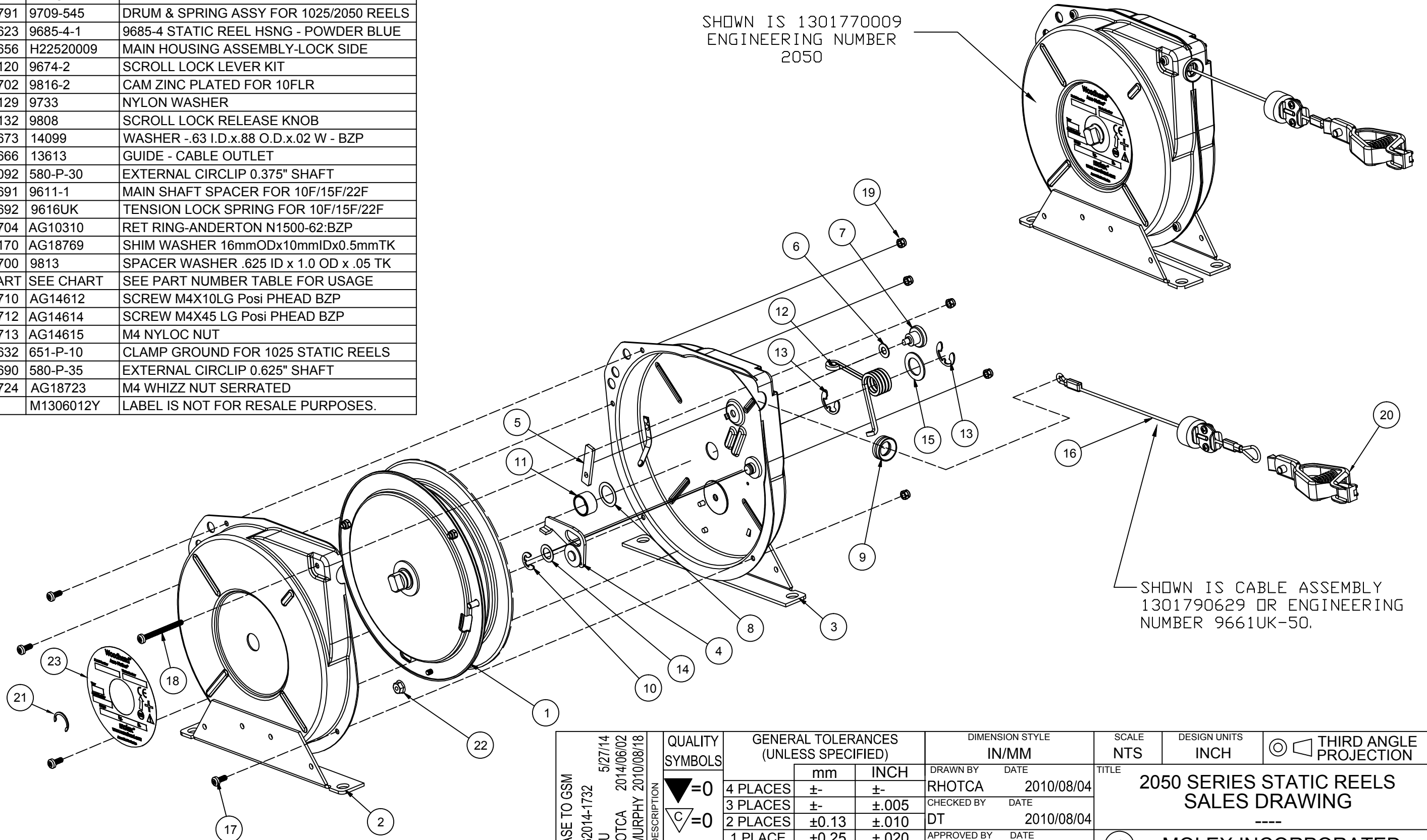
ALL DIMENSIONS ARE FOR REFERENCE ONLY.



- NOTES:
1. STATIC REELS ARE 100% INSPECTED & PRE-TENSIONED AT FACTORY.
 2. HOUSINGS ARE MADE OF STEEL WITH POWDER COATING TO MEET HARSH INDUSTRIAL ENVIRONMENTS.
 3. ALWAYS READ INSTRUCTIONS MANUAL BEFORE USING STATIC REELS.
 4. STATIC REELS PROVIDE LIGHT, CONSTANT SPRING TENSION ON CABLE.
 5. STATIC REELS ARE EQUIPED WITH 100A GROUND CLAMP.
 6. STATIC REELS HAVE MOUNTING BRACKETS WITH MOUNTING HOLES. WHEN MOUNTING THESE MAKE SURE THAT A GROUND PATH IS AVAILABLE FOR STATIC DISCHARGE.
 7. STATIC REELS HAVE THE OPTION OF HAVING A "Y" BRIDLE CABLE ASSEMBLY WITH 2 GROUNDING CLAMPS THAT ALLOW SIMULTANEOUS GROUNDING AT TWO POINTS.
 8. STATIC REELS WITH "Y" BRIDLE CABLE ASSEMBLY HAVE A 30FT[9.1M] PAYOUT FOR MAIN LEG & ANOTHER 20FT[6.1M] FOR EACH OF THE BRIDLE'S BRANCHES.

RELEASE TO GSM EC NO: IPG2014-1732 DRWN: VOU CHKD: RHOTCA APPR: JFMURPHY 5/27/14 2014/06/02 2010/08/18	DESCRIPTION REV B	QUALITY SYMBOLS $\nabla=0$ $\nabla C=0$	GENERAL TOLERANCES (UNLESS SPECIFIED)		DIMENSION STYLE IN/MM		SCALE NTS	DESIGN UNITS INCH	THIRD ANGLE PROJECTION		
			mm	INCH	DRAWN BY	DATE	TITLE 2050 SERIES STATIC REELS SALES DRAWING				
		4 PLACES	±-	±-	RHOTCA	2010/08/04					
		3 PLACES	±-	±.005	CHECKED BY	DATE	MOLEX INCORPORATED DOCUMENT NO. SD-130177-001 SHEET NO. 1 OF 3				
2 PLACES	±0.13	±.010	DT	2010/08/04							
1 PLACE	±0.25	±.020	APPROVED BY	DATE	THIS DRAWING CONTAINS INFORMATION THAT IS PROPRIETARY TO MOLEX INCORPORATED AND SHOULD NOT BE USED WITHOUT WRITTEN PERMISSION						
ANGULAR ±1°			DTITUS	2010/08/18							
DRAFT WHERE APPLICABLE MUST REMAIN WITHIN DIMENSIONS			MATERIAL NO.		SEE TABLE						

ITEM:	MATERIAL NUMBER:	ENGINEERING NUMBER:	DESCRIPTION:
1	1301794791	9709-545	DRUM & SPRING ASSY FOR 1025/2050 REELS
2	1301790623	9685-4-1	9685-4 STATIC REEL HSNG - POWDER BLUE
3	1302263656	H22520009	MAIN HOUSING ASSEMBLY-LOCK SIDE
4	1301790120	9674-2	SCROLL LOCK LEVER KIT
5	1302344702	9816-2	CAM ZINC PLATED FOR 10FLR
6	1301790129	9733	NYLON WASHER
7	1301790132	9808	SCROLL LOCK RELEASE KNOB
8	1302344673	14099	WASHER -.63 I.D.x.88 O.D.x.02 W - BZP
9	1302344666	13613	GUIDE - CABLE OUTLET
10	1301790092	580-P-30	EXTERNAL CIRCLIP 0.375" SHAFT
11	1302344691	9611-1	MAIN SHAFT SPACER FOR 10F/15F/22F
12	1302344692	9616UK	TENSION LOCK SPRING FOR 10F/15F/22F
13	1302344704	AG10310	RET RING-ANDERTON N1500-62:BZP
14	1301790170	AG18769	SHIM WASHER 16mmODx10mmIDx0.5mmTK
15	1302344700	9813	SPACER WASHER .625 ID x 1.0 OD x .05 TK
16	SEE CHART	SEE CHART	SEE PART NUMBER TABLE FOR USAGE
17	1302344710	AG14612	SCREW M4X10LG Posi PHEAD BZP
18	1302344712	AG14614	SCREW M4X45 LG Posi PHEAD BZP
19	1302344713	AG14615	M4 NYLOC NUT
20	1301790632	651-P-10	CLAMP GROUND FOR 1025 STATIC REELS
21	1302344690	580-P-35	EXTERNAL CIRCLIP 0.625" SHAFT
22	1302344724	AG18723	M4 WHIZZ NUT SERRATED
23	N/A	M1306012Y	LABEL IS NOT FOR RESALE PURPOSES.



RELEASE TO GSM EC NO: IPG2014-1732 DRWN: VOU CHKD: RHOTCA APPR: JFMURPHY 5/27/14 2014/06/02 2010/08/18	QUALITY SYMBOLS ▽=0 ▽C=0	GENERAL TOLERANCES (UNLESS SPECIFIED)		DIMENSION STYLE IN/MM		SCALE NTS	DESIGN UNITS INCH	THIRD ANGLE PROJECTION		
		4 PLACES	±-	±-	DRAWN BY	DATE	2050 SERIES STATIC REELS SALES DRAWING			
		3 PLACES	±-	±.005	RHOTCA	2010/08/04				
		2 PLACES	±0.13	±.010	CHECKED BY	DATE	MOLEX INCORPORATED SD-130177-001			
1 PLACE	±0.25	±.020	DT	2010/08/04						
ANGULAR ±1°		DRAFT WHERE APPLICABLE MUST REMAIN WITHIN DIMENSIONS		APPROVED BY DTITUS	DATE 2010/08/18	MATERIAL NO. SEE TABLE	DOCUMENT NO. SD-130177-001	SHEET NO. 2 OF 3		
SIZE B		THIS DRAWING CONTAINS INFORMATION THAT IS PROPRIETARY TO MOLEX INCORPORATED AND SHOULD NOT BE USED WITHOUT WRITTEN PERMISSION								

Material Number:	Engineering Number:	Description:	Weight Range in (KG):	Cable Travel in (M):	Weight Range in (LB):	Cable Travel in (FT):	USES CABLE ASSY:		"R" OHMS:	Color:
							MATERIAL NUMBER	ENGINEERING NUMBER		
1301770015	1025	STATIC REEL [12LB/5.44KG] - 25FT[7.6M]	5.44	7.6	12	25	1301792161	9847-2-RP	2	BLUE
1301770009	2050	STATIC REEL [12LB/5.44KG] - 50FT[15.3M]	5.44	15.3	12	50	1301790629	9661UK-50	2	BLUE
1301770011	2050NC	2050 REEL [12LB/5.44KG] W/NYLON CABLE	5.44	15.3	12	50	1301790690	9719UK-50	2	BLUE
1301770013	2050Y	STATIC REEL Y [12LB/5.44KG]-50FT[15.3M]	5.44	15.3	12	30 + 20	1301790634	41071UK-3	2	BLUE
1301770003	143025	STATIC REEL [12LB/5.44KG] - 25FT[7.6M]	5.44	7.6	12	25	1301792161	9847-2-RP	2	BLUE
1301770005	143050	STATIC REEL W/CABLE ASSY - 50FT[15.3M]	5.44	15.3	12	50	1301790629	9661UK-50	2	BLUE
1301770006	143050NC	143050 W/NYLON CABLE ASSY - 50FT[15.3M]	5.44	15.3	12	50	1301790690	9719UK-50	2	BLUE
1301770008	143051	STATIC REEL Y[12LB/5.44KG] - 50FT[15.3M]	5.44	15.3	12	30 + 20	1301790634	41071UK-3	2	BLUE

ADD 1025 SERIES EC NO: IPG2014-1732 DRWN: VOU 5/27/14 CHKD: RHOTCA 2014/06/02 APPR: JFMURPHY 2010/08/18	DESCRIPTION REV	QUALITY SYMBOLS	GENERAL TOLERANCES (UNLESS SPECIFIED)		DIMENSION STYLE		SCALE	DESIGN UNITS	THIRD ANGLE PROJECTION			
		= 0 = 0	mm	INCH	IN/MM		NTS	INCH	2050 SERIES STATIC REELS SALES DRAWING ----			
			4 PLACES	±-	±-	DRAWN BY	DATE	TITLE				
			3 PLACES	±-	±.005	RHOTCA	2010/08/04	MOLEX INCORPORATED				
			2 PLACES	±0.13	±.010	CHECKED BY	DATE					
1 PLACE	±0.25	±.020	DT	2010/08/04	APPROVED BY DATE DTITUS 2010/08/18		DOCUMENT NO.	SHEET NO.				
ANGULAR ±1°			DRAFT WHERE APPLICABLE MUST REMAIN WITHIN DIMENSIONS		SEE TABLE		SD-130177-001		3 OF 3			
THIS DRAWING CONTAINS INFORMATION THAT IS PROPRIETARY TO MOLEX INCORPORATED AND SHOULD NOT BE USED WITHOUT WRITTEN PERMISSION												