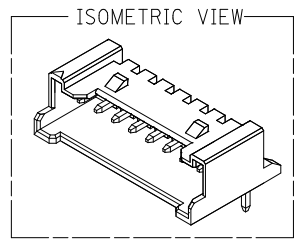
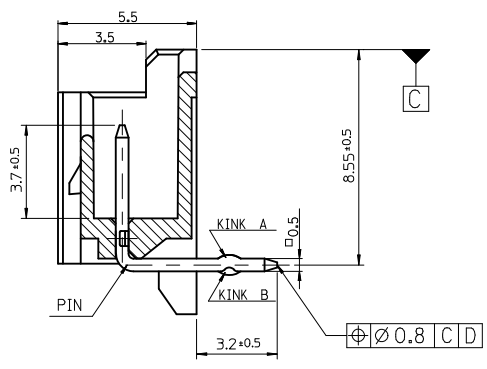
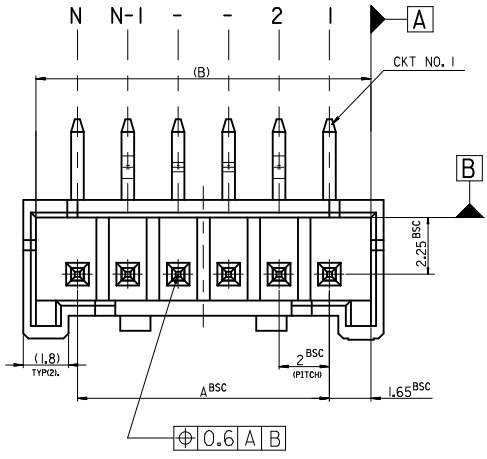


LEAD FREE



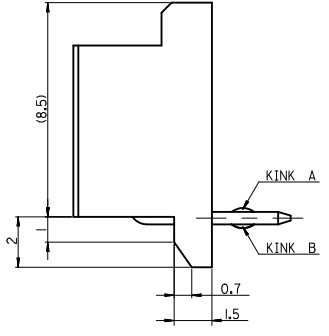
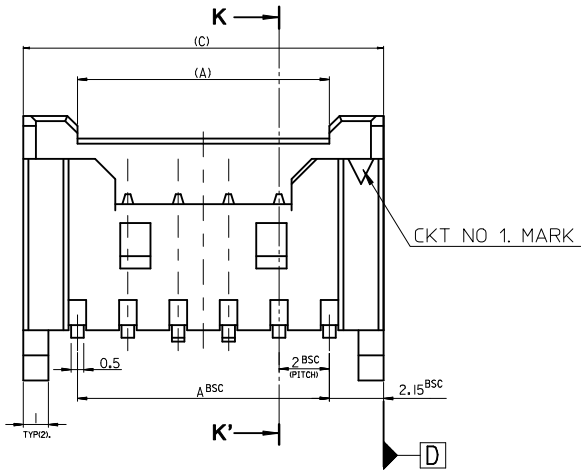
**LEGEND**

SD-35363-\*\*\* 6 \* COLOR

- 0 : NATURAL
- 1 : BLACK
- 2 : RED
- 3 : YELLOW
- 4 : BLUE
- 5 : GREEN

CKT NO. \_\_\_\_\_

LEAD FREE



**RECOMMENED P.C.BOARD HOLE DIM.(REF)**  
(PCB THICKNESS : 1.6)

|      |      |    |              |            |     |
|------|------|----|--------------|------------|-----|
| 32.3 | 31.3 | 28 | 156*         | - 156*     | 15  |
| 30.3 | 29.3 | 26 | 146*         | - 146*     | 14  |
| 28.3 | 27.3 | 24 | 136*         | - 136*     | 13  |
| 26.3 | 25.3 | 22 | 126*         | - 126*     | 12  |
| 24.3 | 23.3 | 20 | 116*         | - 116*     | 11  |
| 22.3 | 21.3 | 18 | 106*         | - 106*     | 10  |
| 20.3 | 19.3 | 16 | 096*         | - 096*     | 9   |
| 18.3 | 17.3 | 14 | 086*         | - 086*     | 8   |
| 16.3 | 15.3 | 12 | 076*         | - 076*     | 7   |
| 14.3 | 13.3 | 10 | 066*         | - 066*     | 6   |
| 12.3 | 11.3 | 8  | 056*         | - 056*     | 5   |
| 10.3 | 9.3  | 6  | 35363046*    | 35363-046* | 4   |
| (C)  | (B)  | A  | MATERIAL NO. | ENG. NO.   | CKT |

- NOTES**
- MATERIAL : WAFER - UNFILLED POLYAMIDE, UL94V-0  
PIN - BRASS C2700W
  - FINISHES : PIN - SN 2 ~ 3 MICROMETER OVERALL
  - PRODUCT SPECIFICATION : PS-35507-003
  - MATES WITH : HOUSING - 35507-\*\*\*0\*  
TERMINAL - 50212-8000
  - KINK

| CKT NO     | 1 | 2 | 3 | 4 | 5 | N-2 | N-1 | N |
|------------|---|---|---|---|---|-----|-----|---|
| 6 CKT OVER | - | A | B | - | - | B   | A   | - |
| 5 CKT      | A | B | - | B | A |     |     |   |
| 4 CKT      | A | B | B | A |   |     |     |   |

|                   |       |
|-------------------|-------|
| 30 over           | ±0.3  |
| 10 over 30 under  | ±0.25 |
| 10 under          | ±0.2  |
| ANGLE             | ±3°   |
| GENERAL TOLERANCE |       |

REVISED  
EC NO: KOR2012-0004  
DRWN:HSK1M05 2011/07/11  
CHKD:KSK1M 2011/07/11  
APPR:YUNSIKK1M 2011/07/26

QUALITY SYMBOLS  
▽=0  
∇=0

GENERAL TOLERANCES (UNLESS SPECIFIED)

|                |       |       |
|----------------|-------|-------|
|                | mm    | INCH  |
| 4 PLACES       | ± --- | ± --- |
| 3 PLACES       | ± --- | ± --- |
| 2 PLACES       | ± --- | ± --- |
| 1 PLACE        | ± --- | ± --- |
| ANGULAR ± ---° |       |       |

DRAFT WHERE APPLICABLE  
MUST REMAIN WITHIN DIMENSIONS

DIMENSION STYLE  
**MM ONLY**

DRAWN BY: YSOOK1M  
DATE: 1996/09/11

CHECKED BY: JKOH  
DATE: 1996/09/11

APPROVED BY: \_\_\_\_\_  
DATE: \_\_\_\_\_

MATERIAL NO. SEE TABLE

SIZE A3

SCALE 5:1  
DESIGN UNITS METRIC  
THIRD ANGLE PROJECTION

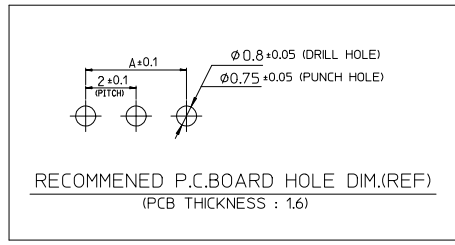
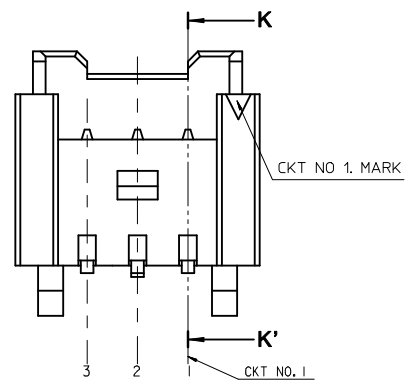
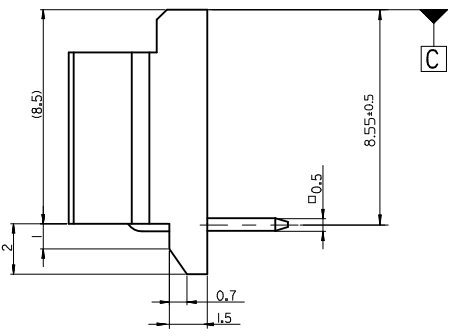
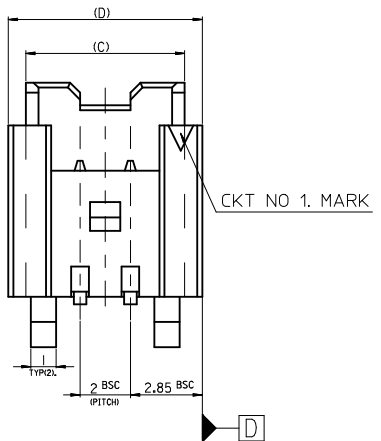
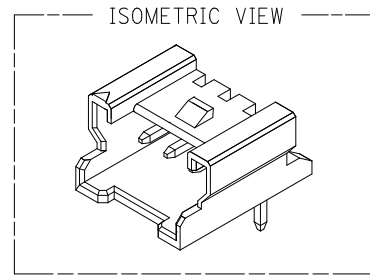
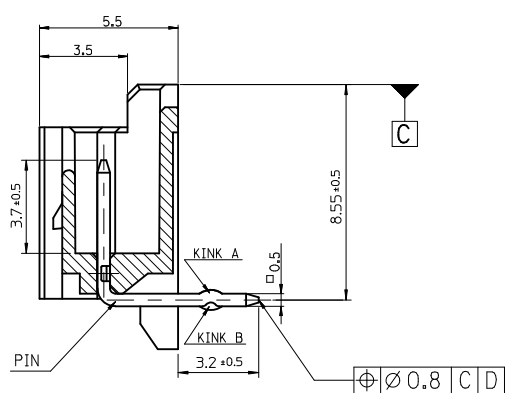
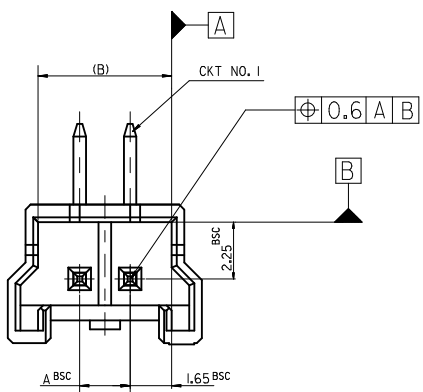
TITLE 2.0 W/B WAFER R/A ASS'Y -LEAD FREE-

**molex** MOLEX INCORPORATED

DOCUMENT NO. SD-35363-002  
SHEET NO. 1 OF 3

THIS DRAWING CONTAINS INFORMATION THAT IS PROPRIETARY TO MOLEX INCORPORATED AND SHOULD NOT BE USED WITHOUT WRITTEN PERMISSION

FOR 2 & 3 CKTS. LEAD FREE



LEGEND

SD-35363-\*\*\* 6 \* COLOR

- 0 : NATURAL
- 1 : BLACK
- 2 : RED
- 3 : YELLOW
- 4 : BLUE
- 5 : GREEN

- NOTES
- MATERIAL : WAFER - UNFILLED POLYAMIDE, UL94V-0  
PIN - BRASS C2700W
  - FINISHES : PIN - SN 2 ~ 3 MICROMETER OVERALL
  - PRODUCT SPECIFICATION : PS-35507-003
  - MATES WITH : HOUSING - 35507-\*\*\*0\*  
TERMINAL - 50212-8000
  - KINK

| CKT   | CKT NO | KINK |   |   |
|-------|--------|------|---|---|
|       |        | 1    | 2 | 3 |
| 2 CKT | NONE   |      |   |   |
| 3 CKT | A      | B    | A |   |

|                   |       |
|-------------------|-------|
| 30 over           | ±0.3  |
| 10 over 30 under  | ±0.25 |
| 10 under          | ±0.2  |
| ANGLE             | ±3°   |
| GENERAL TOLERANCE |       |

REVISED  
 EC NO: KOR2012-0004  
 DRWN:HSK1M05 2011/07/11  
 CHKD:KSK1M 2011/07/11  
 APPR:YUNSIKK1M 2011/07/26

QUALITY SYMBOLS  
 ▽=0  
 ◻=0

GENERAL TOLERANCES (UNLESS SPECIFIED)

|                | mm    | INCH  |
|----------------|-------|-------|
| 4 PLACES       | ± --- | ± --- |
| 3 PLACES       | ± --- | ± --- |
| 2 PLACES       | ± --- | ± --- |
| 1 PLACE        | ± --- | ± --- |
| ANGULAR ± ---° |       |       |

DRAFT WHERE APPLICABLE  
 MUST REMAIN  
 WITHIN DIMENSIONS

|     |     |     |   |              |            |     |
|-----|-----|-----|---|--------------|------------|-----|
| 9.7 | 8.3 | 7.3 | 4 | 35363036*    | 35363-036* | 3   |
| 7.7 | 6.3 | 5.3 | 2 | 35363026*    | 35363-026* | 2   |
| (D) | (C) | (B) | A | MATERIAL NO. | ENG. NO.   | CKT |

DIMENSION STYLE: MM ONLY

SCALE: 5:1

DESIGN UNITS: METRIC

THIRD ANGLE PROJECTION

TITLE: 2.0 W/B WAFER R/A ASS'Y -LEAD FREE-

DRAWN BY: YSOOKIM DATE: 1996/09/11

CHECKED BY: JKOH DATE: 1996/09/11

APPROVED BY: DATE:

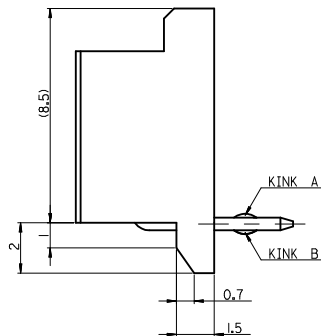
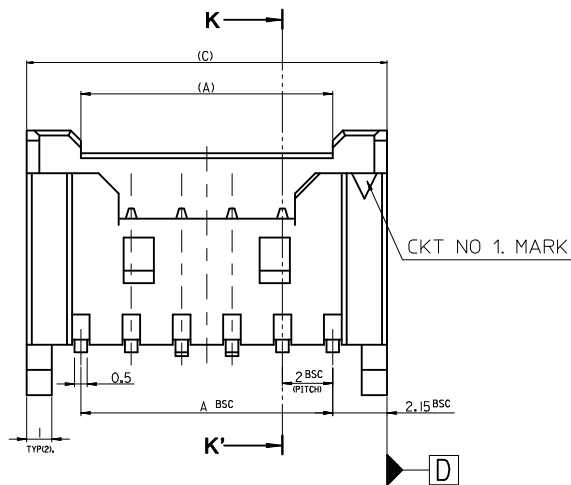
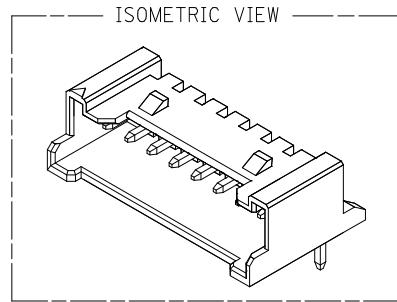
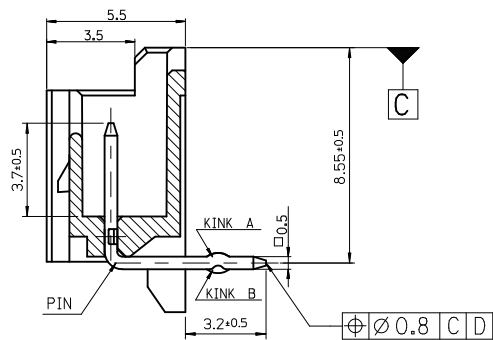
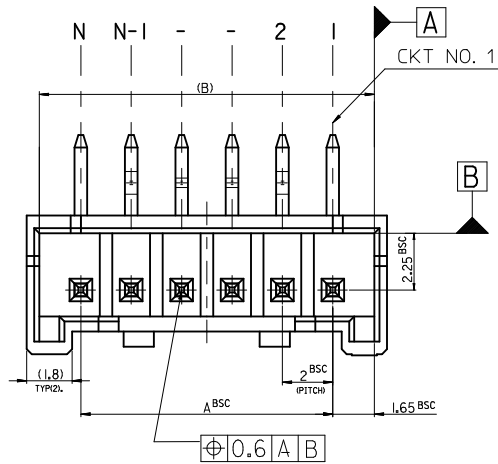
MATERIAL NO.: SEE TABLE

DOCUMENT NO.: SD-35363-002

SHEET NO.: 2 OF 3

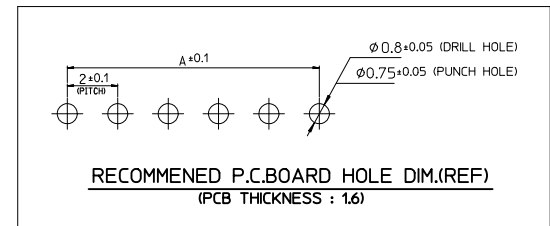
THIS DRAWING CONTAINS INFORMATION THAT IS PROPRIETARY TO MOLEX INCORPORATED AND SHOULD NOT BE USED WITHOUT WRITTEN PERMISSION

LEAD FREE



LEGEND

|                  |       |             |
|------------------|-------|-------------|
| SD-35363-*** 6 * | COLOR | 0 : NATURAL |
| CTK NO.          |       | 1 : BLACK   |
| LEAD FREE        |       | 2 : RED     |
|                  |       | 3 : YELLOW  |
|                  |       | 4 : BLUE    |
|                  |       | 5 : GREEN   |



NOTES

- MATERIAL : WAFER - UNFILLED POLYAMIDE, UL94V-0  
PIN - BRASS C2700W
- FINISHES : PIN - SN 2 ~ 3 MICROMETER OVERALL
- PRODUCT SPECIFICATION : PS-35507-003
- MATES WITH : HOUSING - 35507-\*\*\*0\*  
TERMINAL - 50212-8000
- KINK

| CKT NO | 1 | 2 | 3 | 4 | N-3 | N-2 | N-1 | N |
|--------|---|---|---|---|-----|-----|-----|---|
| 20     | - | A | B | - | -   | B   | A   | - |

|                   |       |
|-------------------|-------|
| 30 over           | ±0.3  |
| 10 over 30 under  | ±0.25 |
| 10 under          | ±0.2  |
| ANGLE             | ±3°   |
| GENERAL TOLERANCE |       |

|                |                     |
|----------------|---------------------|
| REVISED        | EC NO: KOR2012-0004 |
| DRWN:HSK1M05   | 2011/07/12          |
| CHKD:KSKIM     | 2011/07/12          |
| APPR:YUNSIKKIM | 2011/07/26          |

| QUALITY SYMBOLS | DESCRIPTION |
|-----------------|-------------|
| ▽=0             |             |
| ∇=0             |             |

| GENERAL TOLERANCES (UNLESS SPECIFIED)                |       |
|--|-------|
|  | mm    |
|  | INCH  |
| 4 PLACES   | ± --- |
| 3 PLACES   | ± --- |
| 2 PLACES   | ± --- |
| 1 PLACE  | ± --- |
| ANGULAR ± ---°                                       |       |
| DRAFT WHERE APPLICABLE MUST REMAIN WITHIN DIMENSIONS |       |

|   |            |                                     |              |            |                        |
|---|------------|-------------------------------------|--------------|------------|------------------------|
| 42.3  | 41.3       | 38                                  | 35363206*    | 35363-206* | 20                     |
| (C)   | (B)        | A                                   | MATERIAL NO. | ENG. NO.   | CKT                    |
| DIMENSION STYLE   |            | SCALE                               | DESIGN UNITS |            | THIRD ANGLE PROJECTION |
| MM ONLY   |            | 5:1                                 | METRIC       |            |                        |
| DRAWN BY  | DATE       | TITLE                               |              |            |                        |
| YSOOKIM   | 1998/04/23 | 2.0 W/B WAFER R/A ASS'Y -LEAD FREE- |              |            |                        |
| CHECKED BY  | DATE       | MOLEX INCORPORATED                  |              |            |                        |
| JKOH  | 1998/04/23 | SD-35363-002                        |              |            |                        |
| APPROVED BY   | DATE       | SHEET NO.                           |              |            |                        |
|   |            | 3 OF 3                              |              |            |                        |
| MATERIAL NO.  |            | DOCUMENT NO.                        |              | SHEET NO.  |                        |
| SEE TABLE   |            | SD-35363-002                        |              | 3 OF 3     |                        |
| THIS DRAWING CONTAINS INFORMATION THAT IS PROPRIETARY TO MOLEX INCORPORATED AND SHOULD NOT BE USED WITHOUT WRITTEN PERMISSION |            |                                     |              |            |                        |