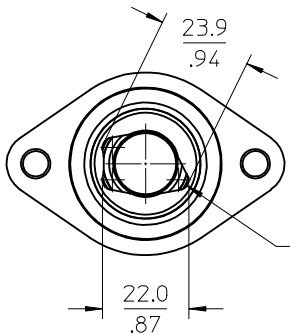
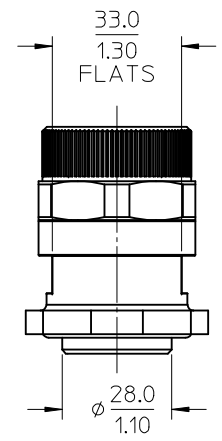
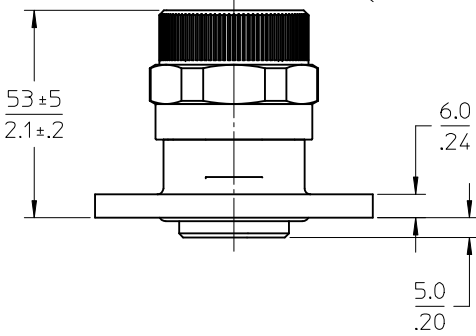
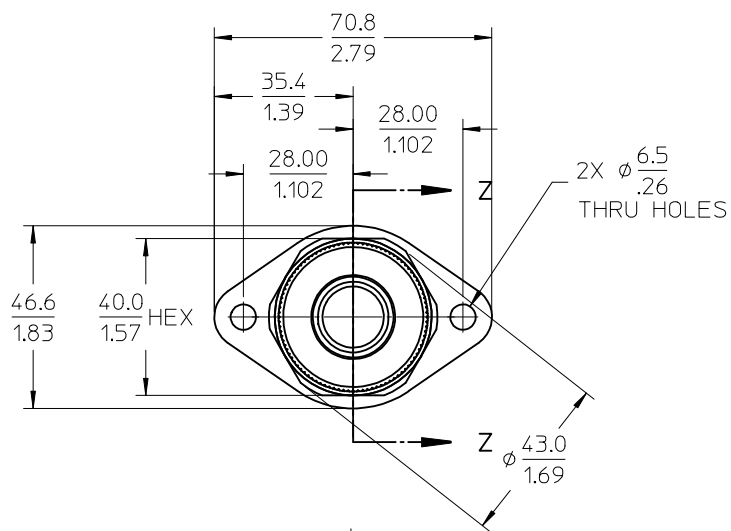


10	9	8	7	6	5	4	3	2	1
SINGLE ASSEMBLY PART NO.	KIT ASSEMBLY PART NO.	WIRE AWG	GROMMET	COLOR	O-RING	COLOR	CABLE SEALING RANGE		
1301990080	1301990180	3/0	HNBR	BLACK	HNBR	BLACK	17.45/.684 - 19.05/.750		
1301990280	1301990380	3/0	SILICONE	RUST RED	SILICONE	RUST RED	17.45/.684 - 19.05/.750		



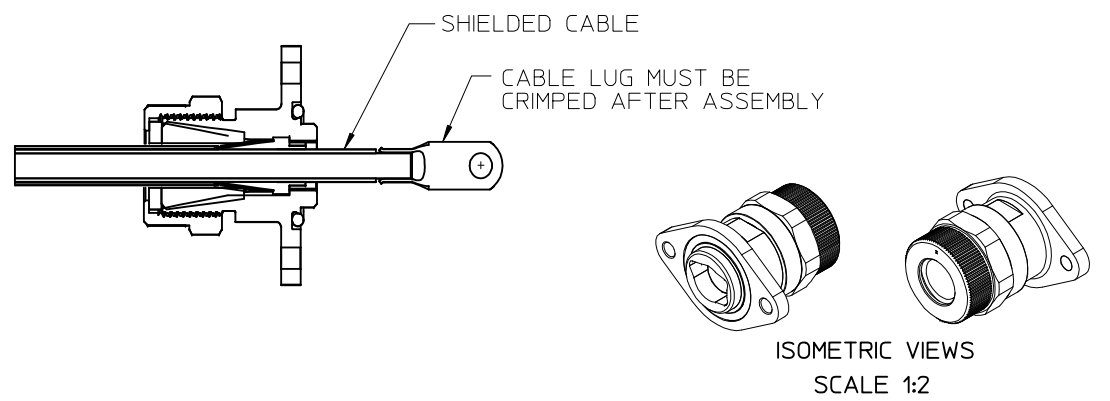
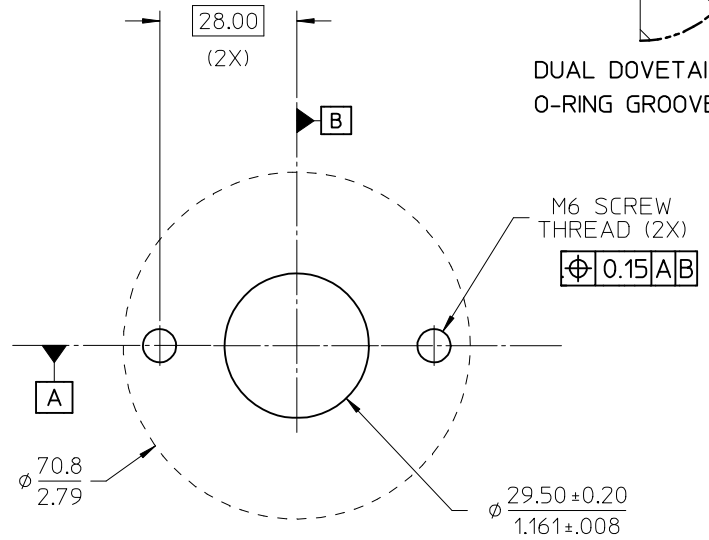
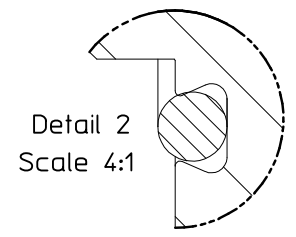
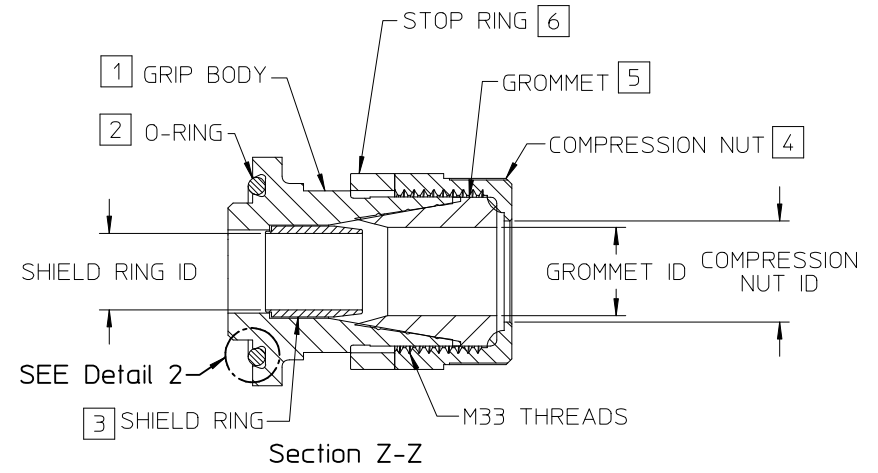
MOLEX 3/0 CABLE LUGS AND LARGER WILL NOT FIT THRU THE GRIP BODY



- NOTES:
- MATERIALS:
 - GRIP BODY: ALUMINUM ALLOY
 - FINISH: ELECTROLESS NICKEL PLATING
 - COMPRESSION NUT: ALUMINUM ALLOY
 - FINISH: ELECTROLESS NICKEL PLATING
 - SHIELD RING: ALUMINUM ALLOY
 - FINISH: ELECTROLESS NICKEL PLATING
 - STOP RING: ALUMINUM ALLOY
 - FINISH: ELECTROLESS NICKEL PLATING
 - GROMMET: SEE CHART
 - HNBR HARDNESS: SHORE 70A DUROMETER
 - SILICONE HARDNESS: SHORE 70A DUROMETER
 - PRODUCT SPECIFICATION: PS-130199-001
 - PACKAGING SPECIFICATION: PK-130199-001
 - ASSEMBLY SPECIFICATION: AS-130199-002
 - ALL MATERIALS ARE ROHS COMPLIANT.

UPDATE NOTES AND TOLS EC NO: IPG2016-0883 DRW:WLEUNG 2015/12/29 CHKD:GSDUHINI 2015/12/29 APPR:APATEL 2016/03/10	QUALITY SYMBOLS $\nabla = 0$ $\nabla = 0$ $\nabla = 0$	GENERAL TOLERANCES (UNLESS SPECIFIED)		DIMENSION STYLE MM/IN		SCALE 1:1.25	DESIGN UNITS METRIC	THIRD ANGLE PROJECTION		
		4 PLACES ± --- ± ---	3 PLACES ± --- ± .015	DRAWN BY WLEUNG	DATE 2013/01/04	MAXLOC SHIELDED CORD GRIP ASSEMBLY 3/0 AWG 				
		2 PLACES ± 0.40 ± .03	1 PLACE ± 0.8 ± ---	CHECKED BY DTITUS	DATE 2013/01/25					
		0 PLACE ± --- ± ---	ANGULAR ± 3 ° DRAFT WHERE APPLICABLE MUST REMAIN WITHIN DIMENSIONS		MATERIAL NO. SEE CHART	DATE 2013/01/25	DOCUMENT NO. SD-130199-005	SHEET NO. 1 OF 2		
				THIS DRAWING CONTAINS INFORMATION THAT IS PROPRIETARY TO MOLEX INCORPORATED AND SHOULD NOT BE USED WITHOUT WRITTEN PERMISSION						

ITEM NO.	DESCRIPTION
1	GRIP BODY, M33 THREAD
2	O-RING, HNBR O-RING, SILICONE
3	SHIELD RING (3/0 AWG), 15.62MM/.615" ID
4	COMPRESSION NUT (3/0 AWG, 20.60MM/.810" ID)
5	GROMMET, HNBR (3/0 AWG), 18.04MM/.710" ID GROMMET, SILICONE (3/0 AWG), 18.04MM/.710" NOM. ID
6	STOP RING, 9.0MM/.36" THICK



SEAL SURFACE ZONE
WITHIN $\phi 70.8$ AREA:
SURFACE FINISH REQUIRED $3.2/\sqrt{\quad}$
FLATNESS REQUIRED 0.2

RECOMMENDED PANEL
MOUNT OPENING

UPDATE ID DIMS ADD O-RING GROOVE EC NO: IPG2016-0883 DR: WMLWUNG 2015/12/29 CHKD: GSUDHINI 2015/12/29 APPR: APATEL 2016/03/10	QUALITY SYMBOLS	GENERAL TOLERANCES (UNLESS SPECIFIED)	DIMENSION STYLE	SCALE	DESIGN UNITS	THIRD ANGLE PROJECTION
	$\nabla = 0$	mm INCH	MM/IN	1:1	METRIC	
	$\nabla = 0$	4 PLACES ± --- ± ---	DRAWN BY DATE			
	$\nabla = 0$	3 PLACES ± --- ± .015	WLEUNG 2013/01/04			
	2 PLACES ± 0.40 ± .03	CHECKED BY DATE				MAXLOC SHIELDED CORD GRIP ASSEMBLY 3/0 AWG molex
	1 PLACE ± 0.8 ± ---	DTITUS 2013/01/25				
	0 PLACE ± --- ± ---	APPROVED BY DATE				
		DTITUS 2013/01/25				
		ANGULAR ± 3°	MATERIAL NO.	DOCUMENT NO.		SHEET NO.
		DRAFT WHERE APPLICABLE	SEE CHART	SD-130199-005		2 OF 2
		MUST REMAIN WITHIN DIMENSIONS	SIZE B	THIS DRAWING CONTAINS INFORMATION THAT IS PROPRIETARY TO MOLEX INCORPORATED AND SHOULD NOT BE USED WITHOUT WRITTEN PERMISSION		