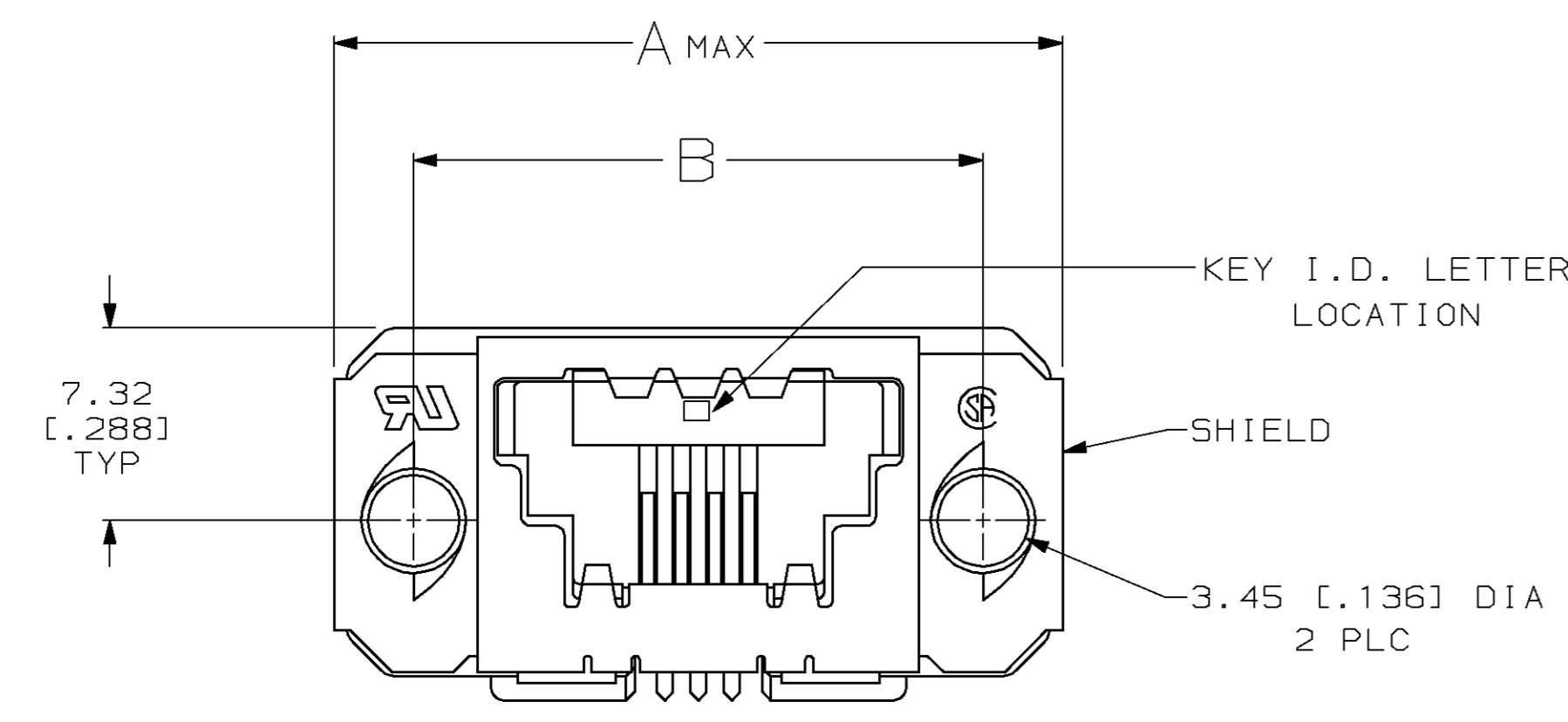
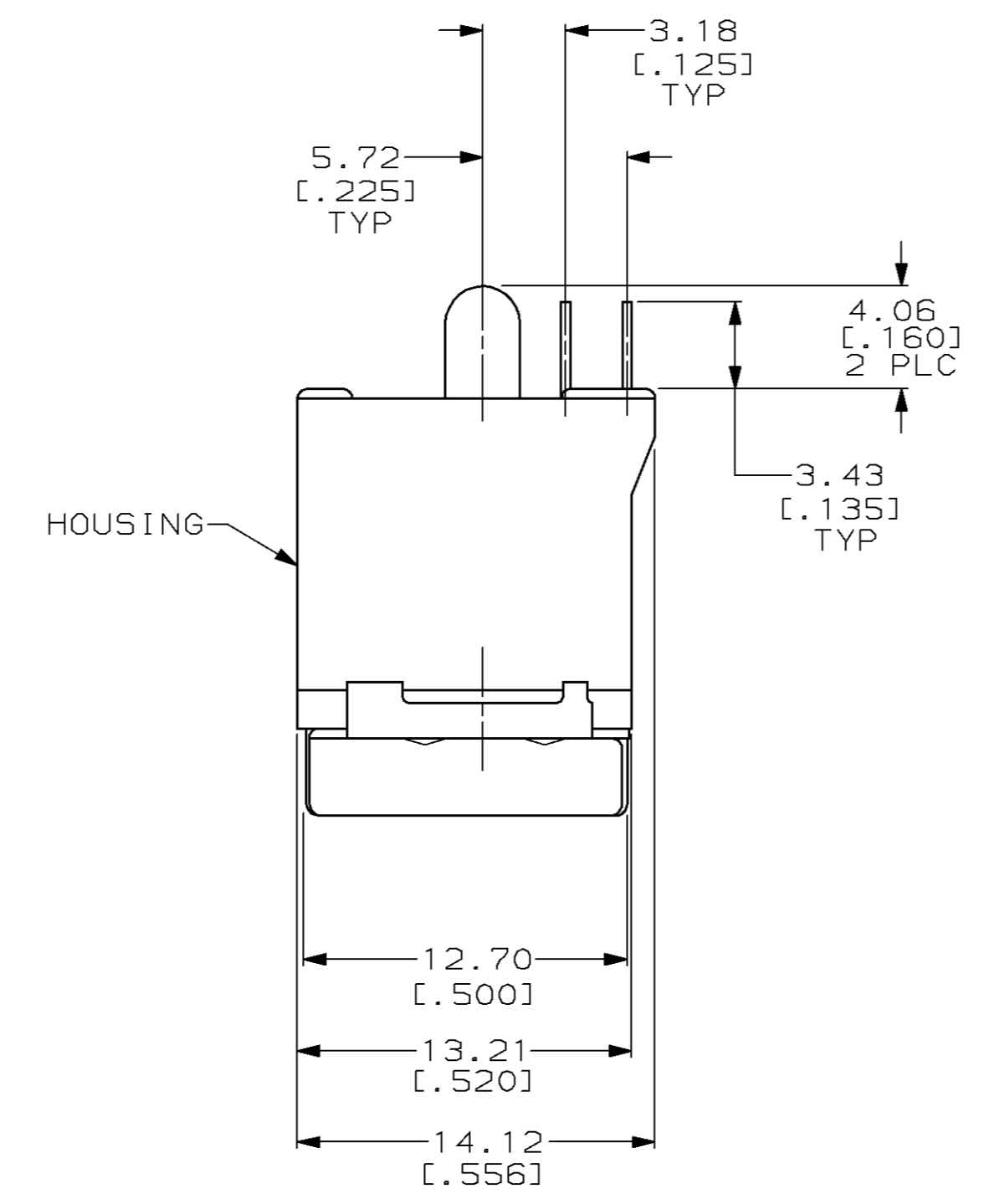
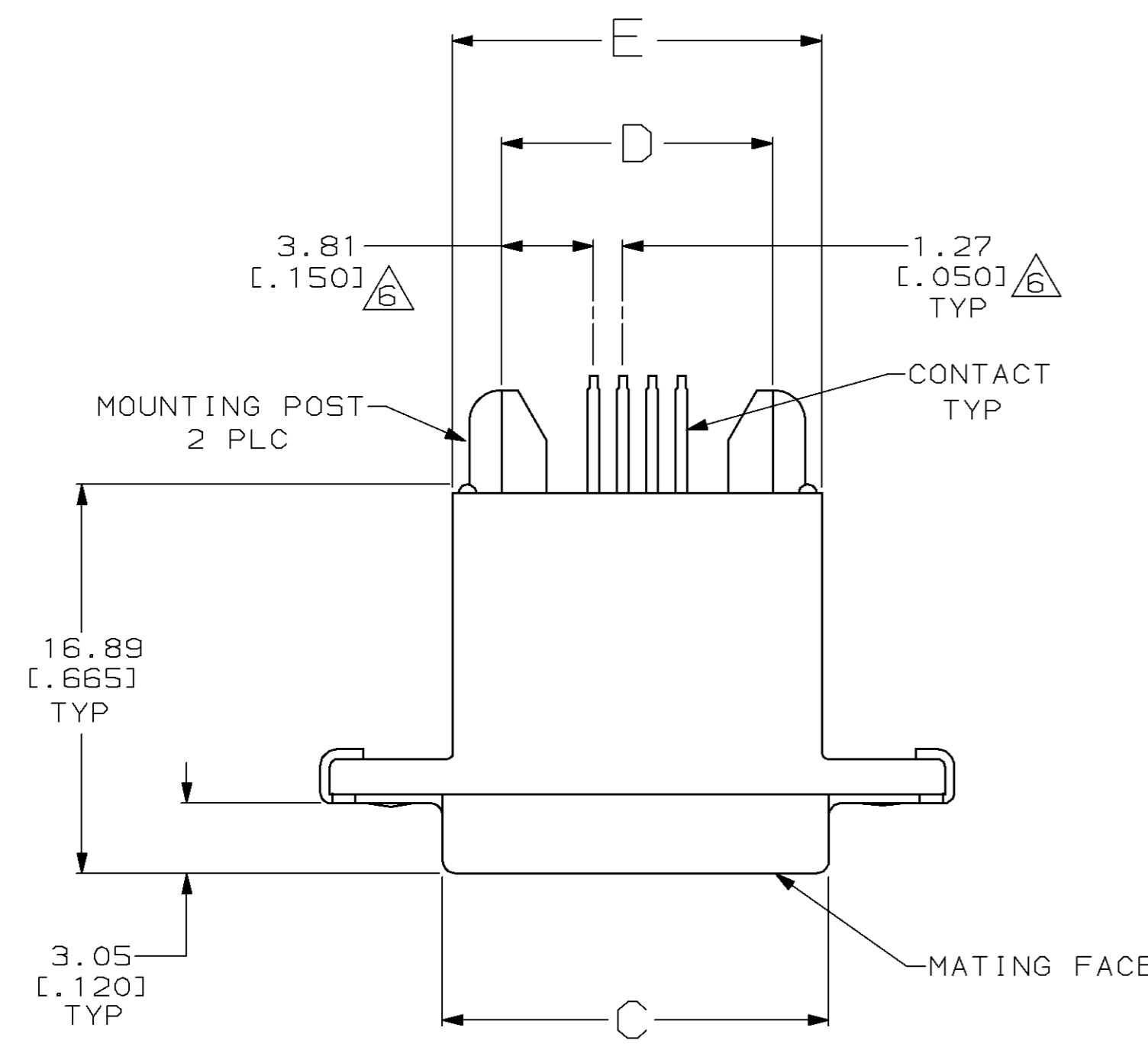


LOC		DIST		P		ZONE		LTR		REVISIONS		
BD	50									DESCRIPTION	DATE	APPD
									V	REV PER EC 0020-1350-94	01/07/95	SM
									W	REV PER EC 0020-44-95	02/15/95	RB
									Y	REV PER EC 0020-674-95	06/21/95	RB
									Z	OBS -22, -26, -36, -42, -61 PER EC 0020-475-95	24 OCT 95	RB
									AA	OBS -43 PER EC 0020-1120-95	28 AUG 96	JGH
									AB	OBSOLETE -32 PER EC 0410-186-96	26 JAN 98	JDS



- PREFIX AND SUFFIX NUMBERS MUST MATCH THOSE ON PLUG ASSEMBLY FOR PARTS TO MATE.
- $\triangle 2$  POLYESTER, FLAME RETARDANT, UL 94V-0 RATED, GLASS FILLED, BLACK.
- $\triangle 3$   $0.76\mu\text{m}$  [.000030] MIN TIN-LEAD OVER  $2.54\mu\text{m}$  [.000100] MIN COPPER.
- $\triangle 4$   $1.27\mu\text{m}$  [.000050] MIN GOLD ON MATING SURFACE FOR A LENGTH OF 2.54 [.100] MIN,  $3.81\mu\text{m}$  [.000150] MIN TIN-LEAD ON OPPOSITE END FOR A LENGTH OF 3.81 [.150] MIN, BOTH OVER  $1.27\mu\text{m}$  [.000050] MIN NICKEL ON ENTIRE CONTACT.
- $\triangle 5$   $0.76\mu\text{m}$  [.000030] MIN TIN-LEAD OVER  $1.27\mu\text{m}$  [.000050] MIN NICKEL.
- $\triangle 6$  DIMENSION APPLIES TO PORTION OF CONTACT PROJECTING FROM REAR OF CONNECTOR ONLY.

OBSOLETE	16.00 [.630]	11.43 [.450]	16.74 [.659]	21.59 [.850]	27.94 [1.100]	4	F	$\triangle 3$	6-520422-1	
	31.24 [1.230]	26.67 [1.050]	31.98 [1.259]	36.83 [1.450]	43.18 [1.700]	16	E	$\triangle 3$	5-520422-6	
	21.08 [.830]	16.51 [.650]	21.82 [.859]	26.67 [1.050]	33.02 [1.300]	8	E	$\triangle 3$	5-520422-3	
	18.54 [.730]	13.97 [.550]	19.28 [.759]	24.13 [.950]	30.48 [1.200]	6	E	$\triangle 3$	5-520422-2	
	16.00 [.630]	11.43 [.450]	16.74 [.659]	21.59 [.850]	27.94 [1.100]	4	E	$\triangle 3$	5-520422-1	
OBSOLETE	21.08 [.830]	16.28 [.641]	21.82 [.859]	26.67 [1.050]	33.02 [1.300]	8	D	$\triangle 5$	4-520422-3	
OBSOLETE	18.54 [.730]	13.74 [.541]	19.28 [.759]	24.13 [.950]	30.48 [1.200]	6	D	$\triangle 5$	4-520422-2	
	16.00 [.630]	11.43 [.450]	16.74 [.659]	21.59 [.850]	27.94 [1.100]	4	D	$\triangle 3$	4-520422-1	
OBSOLETE	31.24 [1.230]	26.67 [1.050]	31.98 [1.259]	36.83 [1.450]	43.18 [1.700]	16	C	$\triangle 3$	3-520422-6	
	21.08 [.830]	16.51 [.650]	21.82 [.859]	26.67 [1.050]	33.02 [1.300]	8	C	$\triangle 3$	3-520422-3	
OBSOLETE	18.54 [.730]	13.97 [.550]	19.28 [.759]	24.13 [.950]	30.48 [1.200]	6	C	$\triangle 3$	3-520422-2	
	16.00 [.630]	11.43 [.450]	16.74 [.659]	21.59 [.850]	27.94 [1.100]	4	C	$\triangle 3$	3-520422-1	
OBSOLETE	31.24 [1.230]	26.44 [1.041]	31.98 [1.259]	36.83 [1.450]	43.18 [1.700]	16	B	$\triangle 5$	2-520422-6	
OBSOLETE	18.54 [.730]	13.74 [.541]	19.28 [.759]	24.13 [.950]	30.48 [1.200]	6	B	$\triangle 5$	2-520422-2	
	31.24 [1.230]	26.67 [1.050]	31.98 [1.259]	36.83 [1.450]	43.18 [1.700]	16	A	$\triangle 3$	1-520422-6	
	21.08 [.830]	16.51 [.650]	21.82 [.859]	26.67 [1.050]	33.02 [1.300]	8	A	$\triangle 3$	1-520422-3	
	18.54 [.730]	13.97 [.550]	19.28 [.759]	24.13 [.950]	30.48 [1.200]	6	A	$\triangle 3$	1-520422-2	
	16.00 [.630]	11.43 [.450]	16.74 [.659]	21.59 [.850]	27.94 [1.100]	4	A	$\triangle 3$	1-520422-1	
	E	D	C	B	A		NO OF POSN	KEY I.D. LETTER	SHIELD FINISH	PART NO

DO NOT SCALE PRINT. UNLESS SPECIFIED DIMENSIONS IN mm [INCHES] TOLERANCES ON:  
 2 PLC DEC ± .038 [.015]  
 3 PLC DEC ± -  
 ANGLES ± -

DR 3-22-89 W.G. LENKER  
 CHK 8-7-89 R. STONE  
 APPD 8-8-89 J. PRITULSKY  
 APPD 8-8-89 D. SUMMERS

MATERIAL HOUSING:  $\triangle 2$   
 SHIELD: BRASS  
 CONTACT: PHOSPHOR BRONZE  
 FINISH  
 SHIELD: SEE TABLE  
 CONTACT:  $\triangle 6$

DR 3-22-89 W.G. LENKER  
 CHK 8-7-89 R. STONE  
 APPD 8-8-89 J. PRITULSKY  
 APPD 8-8-89 D. SUMMERS

PRODUCT SPEC 108-2047  
 APPLICATION SPEC 114-2081  
 WEIGHT -

**AMP** | AMP INCORPORATED  
 Harrisburg, Pa. 17105

NAME  
 RECEPTACLE ASSEMBLY,  
 TOP ENTRY, SDL

SIZE **D** FSCM NO 00779 DRAWING NO 520422  
 SCALE 4:1 SHEET 1 OF 1