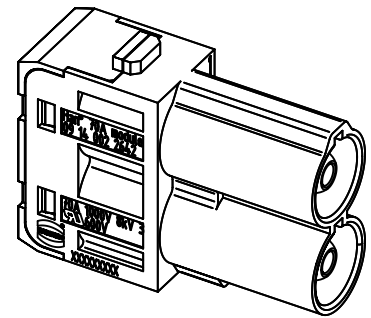


SW2,5

finger safe by plastic cap

for stranded wire 14-22mm², AWG 6-4, fine wire



	All Dimensions in mm Original Size DIN A4	Scale	Free size tol.		Ref.	
		2:1			Sub.	
	All rights reserved Department EL PD - DE	Created by	Inspected by	Standardisation	Date	State
		RULLKOETTER	SCHNIEDER	TIEMANNA	2014-06-11	Final Release
HARTING Electric GmbH & Co. KG D-32339 Espelkamp		Title Han 70A axial module, male 14-22 mm ²				Doc-Key / ECM-Nr. 100173715/UGD/009/A 500000074632
		Type	Number		Rev.	Page
		TB	09 14 002 2642		A	1/1