

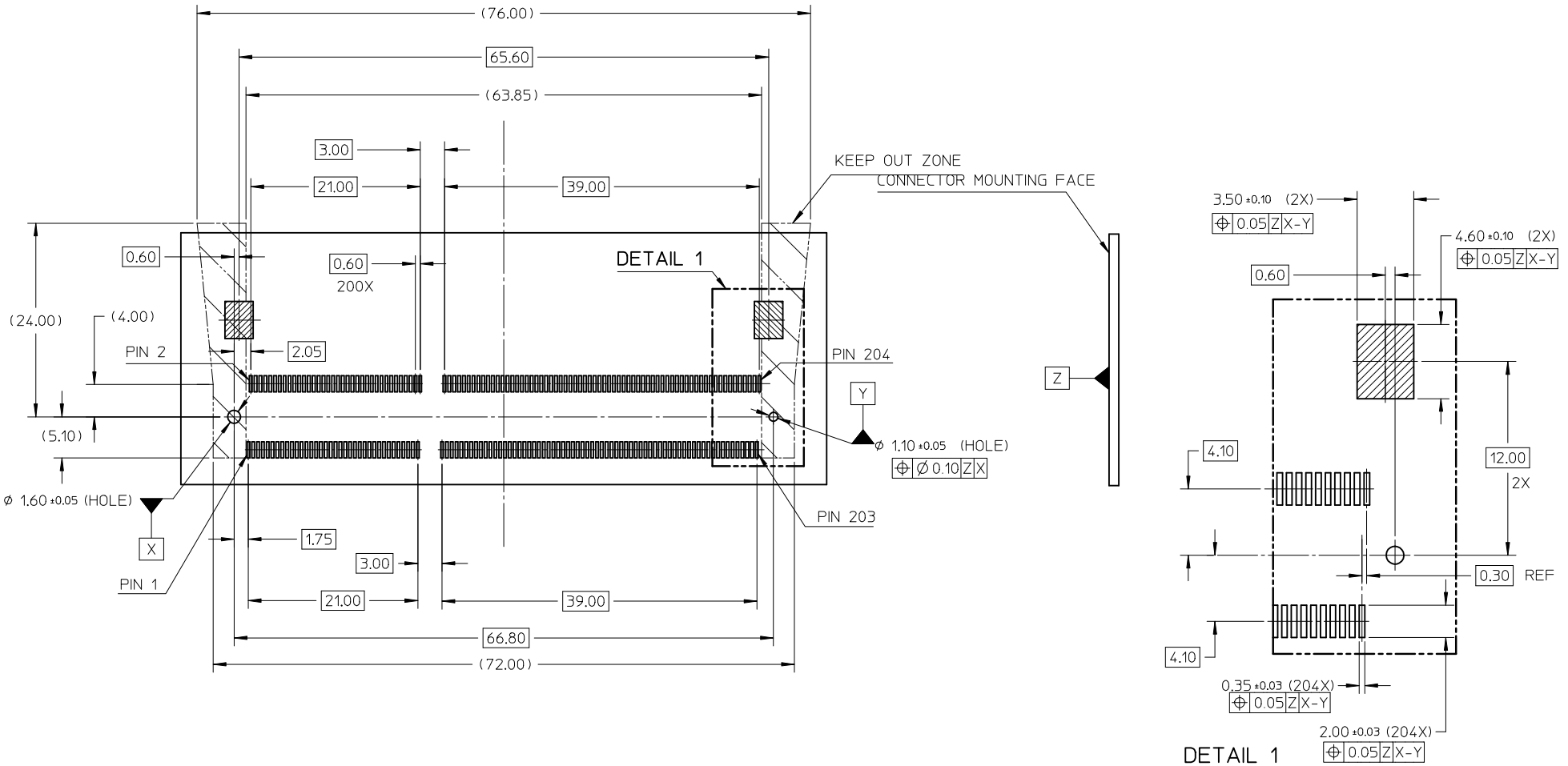
- NOTE :
- SECTION Z-Z**
- MATERIAL:
HOUSING : LCP - UL94V-0. COLOR: BLACK
CONTACTS : COPPER ALLOY
LOCK LEVER : STAINLESS STEEL
 - FINISHES:
CONTACT AREA : REFER TABLE IN SHT 6
SOLDER TAIL AREA : REFER TABLE IN SHT 6
LOCK LEVER SOLDER PAD: 100 MICRINCH / 2.54 MICROMETER MATTE TIN OVER 50 MICRINCH / 1.27 MICROMETER NICKEL.
 - RECOMMENDED MODULE LAYOUT SHALL BE AS PER JEDEC MO-268
 - PRODUCT SPECIFICATION : REFER TABLE IN SHT 6
 - PACKAGING SPECIFICATION : PART SHALL BE PACKED IN TRAY / TAPE & REEL
 - EDGE OF CONTACT PADS SHALL BE FREE OF BURRS AND EXTERNAL TIE BARS
 - THE ADDITION OF THIS BEVEL IS A FABRICATION OPTION AND IS NOT REQUIRED. THE BEVEL AIDS THE INSERTION OF THE MODULES INTO THE CONNECTOR. THE BEVEL MUST NOT ENCORACH ONTO GOLD PADS.
 - COPLANARITY INCLUDES HOLD DOWN 0.1 MAX

THIS DESIGN IS BASED ON DESIGN OBJECTIVES AND IS STRICTLY TENTATIVE IT MAY CHANGE BASED ON RESULTS OF ADDITIONAL DESIGN REVIEWS AND VERIFICATIONS.

CUST REQ DIM ADD EC NO: S2010-0146 DRWN:VMANICKAM 2009/08/18 CHKD:CCTEH 2009/08/20 APPR:SHLENI 2009/08/20	QUALITY SYMBOLS	GENERAL TOLERANCES (UNLESS SPECIFIED)	DIMENSION STYLE	SCALE	DESIGN UNITS	THIRD ANGLE PROJECTION
	▽=0	mm INCH	MM ONLY	NTS	METRIC	
	∇=0	4 PLACES ± --- ± ---	DRAWN BY DATE			
		3 PLACES ± --- ± ---	CHECKED BY DATE			
	2 PLACES ± 0.2 ± ---	APPROVED BY DATE				
	1 PLACE ± --- ± ---	GGLEE 2006/09/12				
	ANGULAR ± 1 °	MATERIAL NO.				
		SEE TABLE				
		DRAFT WHERE APPLICABLE MUST REMAIN WITHIN DIMENSIONS	SIZE			
			A3			

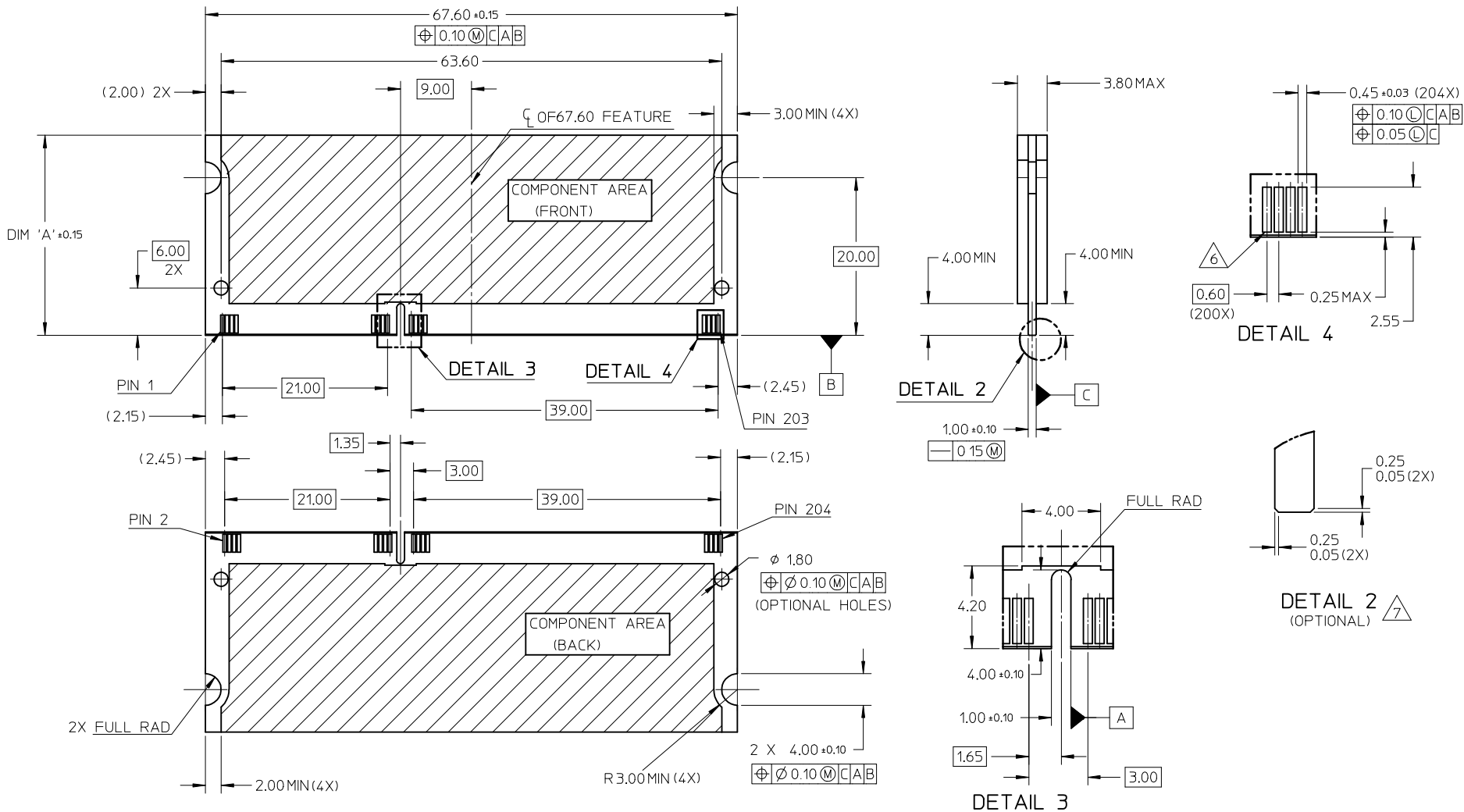
DRAWN BY: VMANICKAM		DATE: 2006/08/08	TITLE: DDR3 SO DIMM, 204 CKTS	
CHECKED BY: SHLENI		DATE: 2006/09/12	5.2MM HEIGHT	
APPROVED BY: GGLEE		DATE: 2006/09/12	STANDARD ORIENTATION	
MATERIAL NO.			MOLEX INCORPORATED	
DOCUMENT NO.			SD-78121-001	
SHEET NO.			1 OF 6	

RECOMMENDED PCB LAYOUT FOR STANDARD ORIENTATION (TOP VIEW)



CUST REQ DIM ADD EC NO: S2010-0146 DRWN:VMANICKAM 2009/08/18 CHKD:CCTEH 2009/08/20 APPR:SHLENI 2009/08/20	QUALITY SYMBOLS ▽=0 ◻=0	GENERAL TOLERANCES (UNLESS SPECIFIED)		DIMENSION STYLE MM ONLY		SCALE NTS	DESIGN UNITS METRIC	THIRD ANGLE PROJECTION		
			mm	INCH	DRAWN BY	DATE	TITLE			
		4 PLACES	± ---	± ---	VMANICKAM	2006/08/08	DDR3 SO DIMM, 204 CKTS 5.2MM HEIGHT STANDARD ORIENTATION MOLEX INCORPORATED			
		3 PLACES	± ---	± ---	CHECKED BY	DATE				
2 PLACES	± 0.2	± ---	SHLENI	2006/09/12	MOLEX DOCUMENT NO. SD-78121-001					
1 PLACE	± ---	± ---	APPROVED BY	DATE						
	ANGULAR ± 1 °		GGLEE	2006/09/12	SHEET NO. 2 OF 6					
A4		DRAFT WHERE APPLICABLE MUST REMAIN WITHIN DIMENSIONS		SEE TABLE		THIS DRAWING CONTAINS INFORMATION THAT IS PROPRIETARY TO MOLEX INCORPORATED AND SHOULD NOT BE USED WITHOUT WRITTEN PERMISSION				

RECOMMENDED MATING PCB CONFIGURATION



SDRAM VARIATIONS FROM JEDEC MO-268			
	AA	BB	CC
DIM 'A'	25.40	31.75	30.00

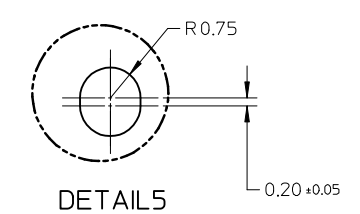
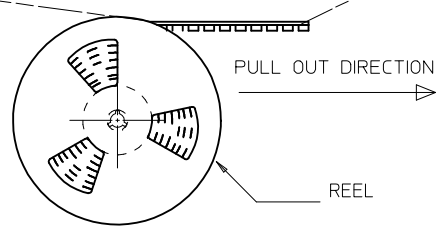
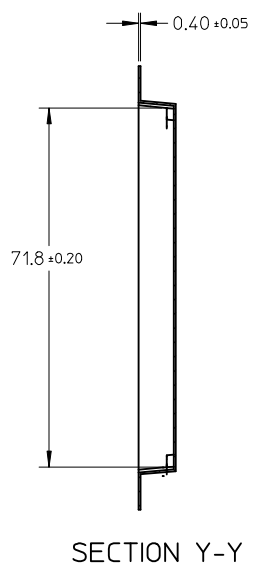
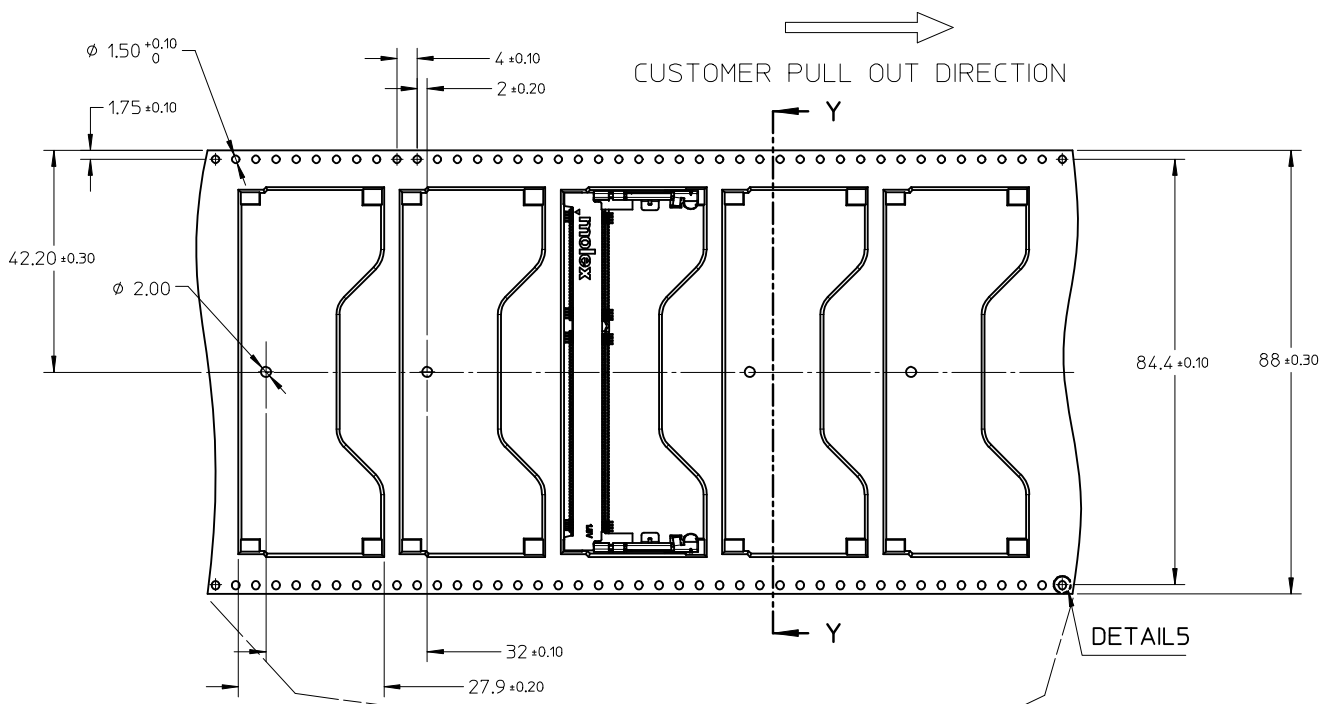
CUST REQ DIM ADD	2009/08/18
EC NO: S2010-0146	2009/08/20
DRWN:VMANICKAM	2009/08/20
CHKD:CCTEH	2009/08/20
APPR:SHLENI	2009/08/20
REV	DESCRIPTION
A4	

QUALITY SYMBOLS	GENERAL TOLERANCES (UNLESS SPECIFIED)	
	mm	INCH
▽=0	4 PLACES ± ---	± ---
∇=0	3 PLACES ± ---	± ---
	2 PLACES ± 0.2	± ---
	1 PLACE ± ---	± ---
	ANGULAR ± 1 °	
	DRAFT WHERE APPLICABLE MUST REMAIN WITHIN DIMENSIONS	

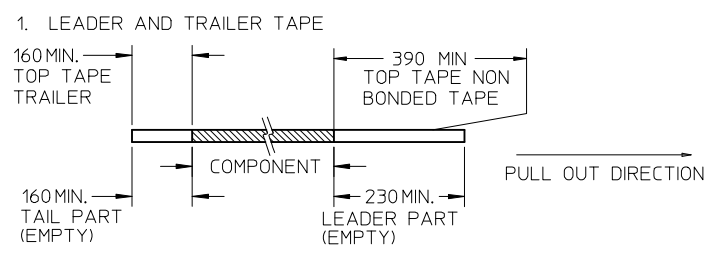
DIMENSION STYLE		SCALE	DESIGN UNITS	THIRD ANGLE PROJECTION
MM ONLY		NTS	METRIC	
DRAWN BY	DATE	TITLE		
VMANICKAM	2006/08/08	DDR3 SO DIMM, 204 CKTS		
CHECKED BY	DATE	5.2MM HEIGHT		
SHLENI	2006/09/12	STANDARD ORIENTATION		
APPROVED BY	DATE	MOLEX INCORPORATED		
GGLEE	2006/09/12	MATERIAL NO.		
		DOCUMENT NO.		
		SEE TABLE		
		SD-78121-001		
		SHEET NO.		
		3 OF 6		

DRAWN BY				DATE	TITLE	
VMANICKAM				2006/08/08	DDR3 SO DIMM, 204 CKTS	
CHECKED BY				DATE	5.2MM HEIGHT	
SHLENI				2006/09/12	STANDARD ORIENTATION	
APPROVED BY				DATE	MOLEX INCORPORATED	
GGLEE				2006/09/12	MATERIAL NO.	
					DOCUMENT NO.	
					SEE TABLE	
					SD-78121-001	
					SHEET NO.	
					3 OF 6	

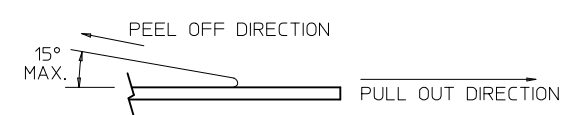
10 9 8 7 6 5 4 3 2 1



NOTES:



2. PEELING OFF FORCE OF THE TOP TAPE: 10 - 150gf.
 (PEELING DIRECTION AS SHOWN IN FOLLOWING FIGURE)

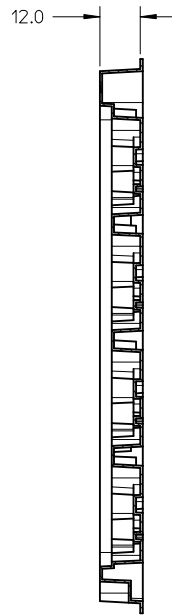


- 3. TAPE AND REEL SPECIFICATION IS AS PER EIA-481.
- 4. TAPE AND REEL QUANTITY : 200 PCS/ REEL.
- 5. THE TAPE IS TREATED FOR ANTI-STATIC.

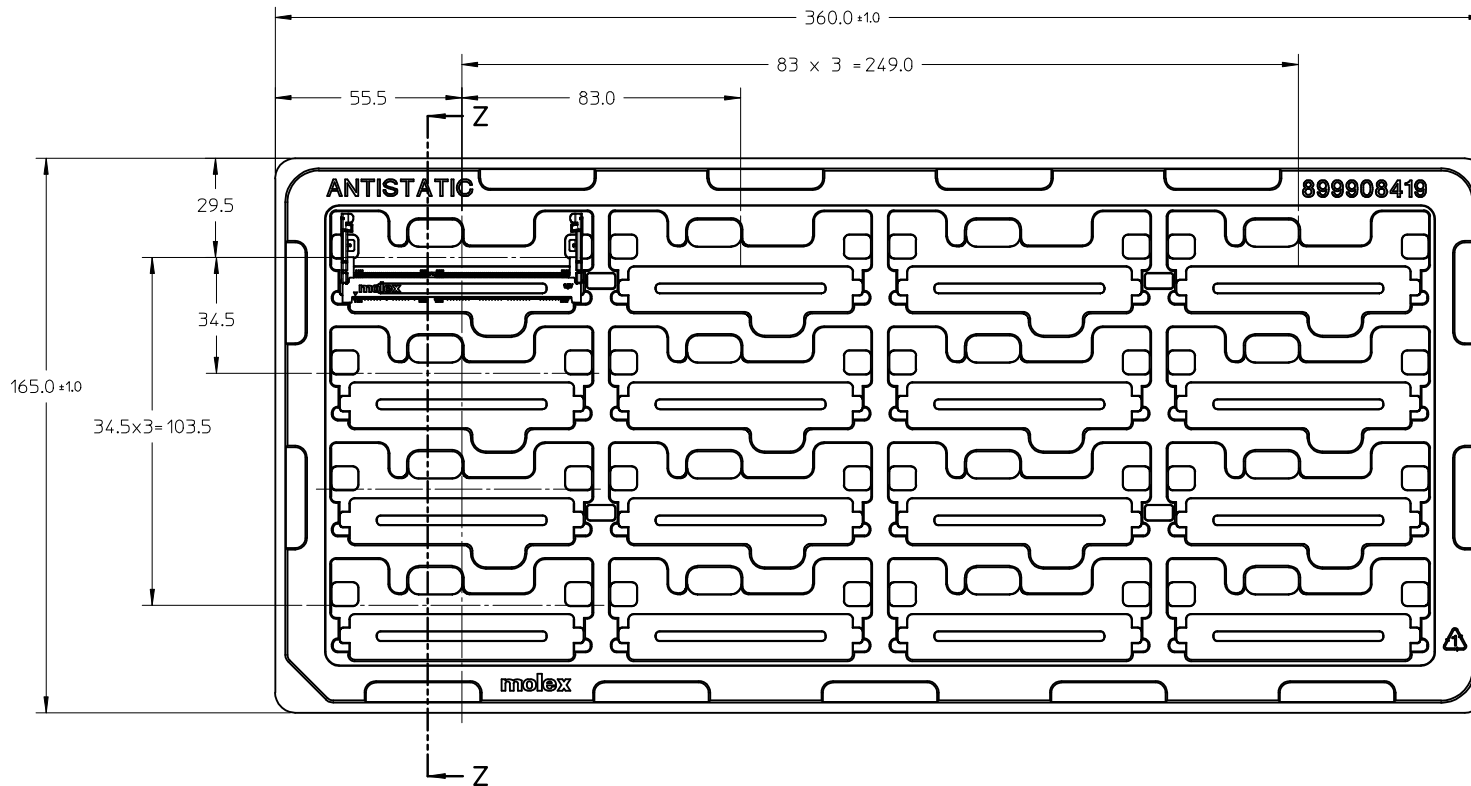
CUST REQ DIM ADD EC NO: S2010-0146 DRWN:VMANICKAM 2009/08/18 CHKD:CCTEH 2009/08/20 APPR:SHLENI 2009/08/20	QUALITY SYMBOLS ▽=0 ◻=0	GENERAL TOLERANCES (UNLESS SPECIFIED)		DIMENSION STYLE MM ONLY		SCALE NTS	DESIGN UNITS METRIC	THIRD ANGLE PROJECTION		
			mm	INCH	DRAWN BY VMANICKAM	DATE 2006/08/08	TITLE DDR3 SO DIMM, 204 CKTS 5.2MM HEIGHT STANDARD ORIENTATION			
		4 PLACES	± ---	± ---	CHECKED BY SHLENI	DATE 2006/09/12	MOLEX INCORPORATED DOCUMENT NO. SD-78121-001 SHEET NO. 4 OF 6			
		3 PLACES	± ---	± ---	APPROVED BY GGLEE	DATE 2006/09/12				
2 PLACES	± 0.2	± ---	MATERIAL NO.		SEE TABLE					
1 PLACE	± ---	± ---	ANGULAR ± 1°		THIS DRAWING CONTAINS INFORMATION THAT IS PROPRIETARY TO MOLEX INCORPORATED AND SHOULD NOT BE USED WITHOUT WRITTEN PERMISSION					
DRAFT WHERE APPLICABLE MUST REMAIN WITHIN DIMENSIONS										

9 8 7 6 5 4 3 2 1

10 9 8 7 6 5 4 3 2 1



SECTION Z-Z



NOTES:

1. NO OF CAVITY : 4 X 4 = 16
2. UNSPECIFIED TOLERANCE FOR TRAY ±0.5

CUST REQ DIM ADD EC NO: S2010-0146 DRWN: VMANICKAM 2009/08/18 CHKD: CCTH 2009/08/20 APPR: SHLENI 2009/08/20	QUALITY SYMBOLS	GENERAL TOLERANCES (UNLESS SPECIFIED)		DIMENSION STYLE MM ONLY		SCALE NTS	DESIGN UNITS METRIC	THIRD ANGLE PROJECTION			
	▽=0 □=0	mm INCH 4 PLACES ± --- ± --- 3 PLACES ± --- ± --- 2 PLACES ± 0.2 ± --- 1 PLACE ± --- ± --- ANGULAR ± 1 °	DRAWN BY: VMANICKAM CHECKED BY: SHLENI APPROVED BY: GGLEE	DATE: 2006/08/08 DATE: 2006/09/12 DATE: 2006/09/12	TITLE		DDR3 SO DIMM, 204 CKTS 5.2MM HEIGHT STANDARD ORIENTATION		MOLEX INCORPORATED		
	DRAFT WHERE APPLICABLE MUST REMAIN WITHIN DIMENSIONS	SEE TABLE		MATERIAL NO.		DOCUMENT NO.		SHEET NO.		SD-78121-001 5 OF 6	
	A4	THIS DRAWING CONTAINS INFORMATION THAT IS PROPRIETARY TO MOLEX INCORPORATED AND SHOULD NOT BE USED WITHOUT WRITTEN PERMISSION		SIZE: A3							

9 8 7 6 5 4 3 2 1

PART NO	CONTACT AREA FINISH	SOLDER TAIL FINISH	PACKAGING	PRODUCT SPECIFICATION
78121-0001	3µN GOLD OVER 50µN/1.27µM NICKEL	100 MICROINCH /2.54 MICROMETER MATTE TIN OVER 50 MICEOINCH / 1.27 MICROMETER.	TRAY (360X165MM)	PS-78121-003
78121-1501	15µN/0.38µM GOLD OVER 50µN/1.27µM NICKEL			PS-78121-002
78121-3001	30µN/0.76µM GOLD OVER 50µN/1.27µM NICKEL			PS-78121-001
78121-0002	3µN GOLD OVER 50µN/1.27µM NICKEL			PS-78121-003
78121-1502	15µN/0.38µM GOLD OVER 50µN/1.27µM NICKEL			PS-78121-002
78121-3002	30µN/0.76µM GOLD OVER 50µN/1.27µM NICKEL			PS-78121-001
78121-0011	3µN GOLD OVER 50µN/1.27µM NICKEL	100 MICROINCH /2.54 MICROMETER MATTE TIN OVER 50 MICEOINCH / 1.27 MICROMETER.	TAPE&REEL	PS-78121-003
78121-1511	15µN/0.38µM GOLD OVER 50µN/1.27µM NICKEL			PS-78121-002
78121-3011	30µN/0.76µM GOLD OVER 50µN/1.27µM NICKEL			PS-78121-001
78121-0012	3µN GOLD OVER 50µN/1.27µM NICKEL			PS-78121-003
78121-1512	15µN/0.38µM GOLD OVER 50µN/1.27µM NICKEL			PS-78121-002
78121-3012	30µN/0.76µM GOLD OVER 50µN/1.27µM NICKEL			PS-78121-001

CUST REQ DIM ADD EC NO: S2010-0146 DRWN:VMANICKAM 2009/08/18 CHKD:CCTEH 2009/08/20 APPR:SHLENI 2009/08/20	QUALITY SYMBOLS	GENERAL TOLERANCES (UNLESS SPECIFIED)	DIMENSION STYLE MM ONLY	SCALE NTS	DESIGN UNITS METRIC	THIRD ANGLE PROJECTION
	▼=0 □=0	mm INCH 4 PLACES ± --- ± --- 3 PLACES ± --- ± --- 2 PLACES ± 0.2 ± --- 1 PLACE ± --- ± --- ANGULAR ± 1 °	DRAWN BY DATE VMANICKAM 2006/08/08 CHECKED BY DATE SHLENI 2006/09/12 APPROVED BY DATE GGLEE 2006/09/12	TITLE DDR3 SO DIMM, 204 CKTS 5.2MM HEIGHT STANDARD ORIENTATION MOLEX INCORPORATED		
	DRAFT WHERE APPLICABLE MUST REMAIN WITHIN DIMENSIONS	SEE TABLE	MATERIAL NO. DOCUMENT NO. SD-78121-001	SHEET NO. 6 OF 6		
	SIZE A3	THIS DRAWING CONTAINS INFORMATION THAT IS PROPRIETARY TO MOLEX INCORPORATED AND SHOULD NOT BE USED WITHOUT WRITTEN PERMISSION				