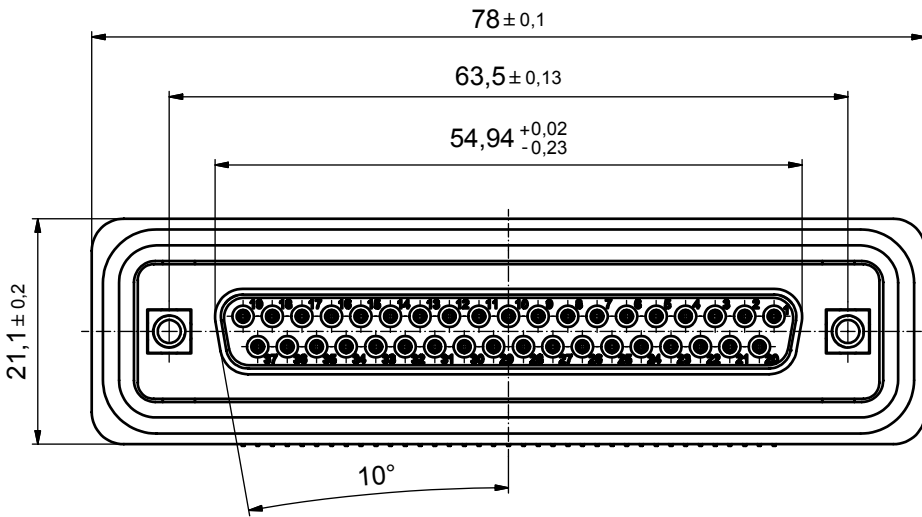
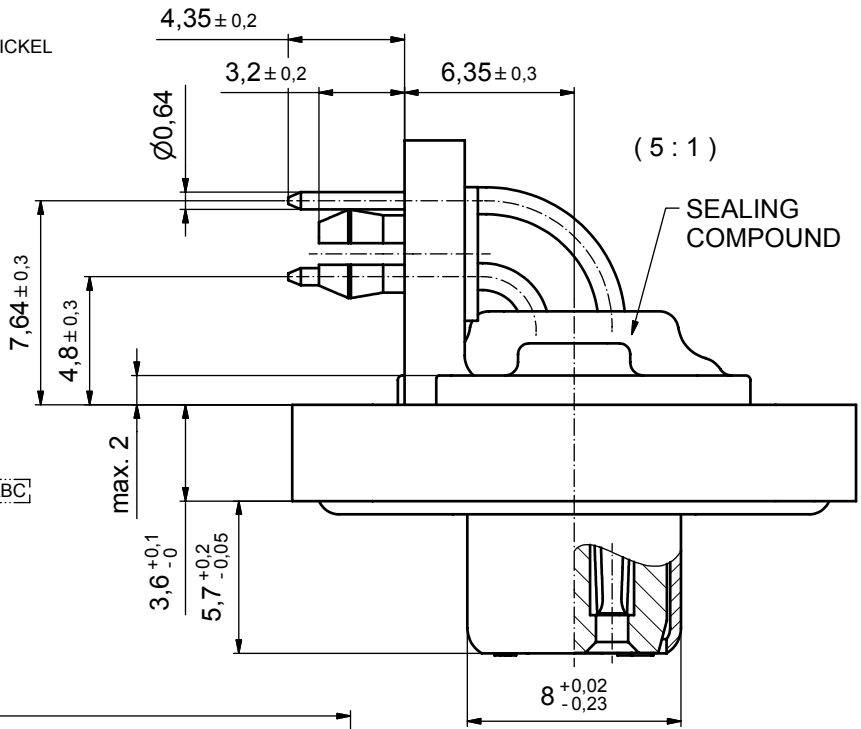
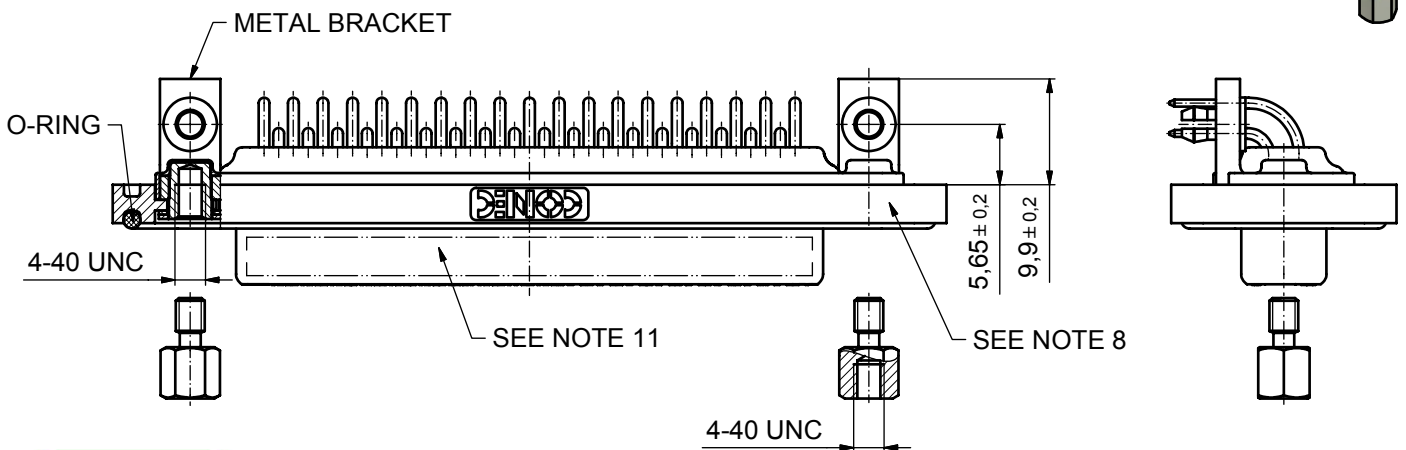
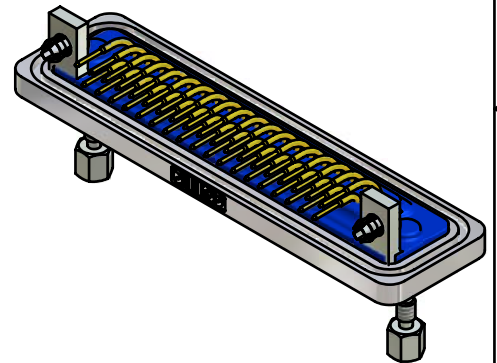


NOTES:

1. METAL SHELLS: COPPER ALLOY; min. 315µin TIN over 40-80µin NICKEL
2. INSULATOR: PBT GF UL 94 V-0, BLACK
3. SIGNAL CONTACTS: COPPER ALLOY
PLATING: 8µin HARD GOLD over 50µin NICKEL
4. METAL BRACKET: ZINC DIE CAST;
300µin COPPER/40-120µin NICKEL/120-200µin TIN
5. THREADED INSERT: COPPER ALLOY;
min. 200µin TIN over 80µin NICKEL
6. PCB-SNAP: COPPER ALLOY; min 20µin TIN over 80µin NICKEL
PCB-HOLE: $\varnothing 3.1 \pm 0.1$; PCB THICKNESS 1.6mm
7. HEXLOCKING SCREW: STAINLESS STEEL
8. FRAME: ZINC DIE CAST; NICKEL PLATED
9. P.C.B. HOLE DRILLINGS ON SHEET 2
10. RECOMMENDED TORQUE FOR MOUNTING SCREW
35N cm (3.1 in.LB)/max. 40N cm (3.5 in.LB)
11. CONNECTOR IS PART MARKED: 6STD37SAT99S40X CONEC ABC



AT ALL TIMES WATER RESISTANT CONNECTORS NOT IN USE SHOULD BE COVERED WITH A CONEC WATER RESISTANT CAP OR WATER TIGHT HOOD.



Directive 2002/95/EC
"RoHS"
Compliant

APPROVAL # FREIGABE # DEBLOCAGE # AUTORIZACION # APPROVAL	
CUSTOMER APPROVAL DATE:	
NAME:	TITLE:
COMPANY NAME:	
APPROVAL # FREIGABE # DEBLOCAGE # AUTORIZACION # APPROVAL	

THIS DRAWING MAY NOT BE COPIED OR REPRODUCED IN ANY WAY, AND MAY NOT BE PASSED ON TO A THIRD PARTY WITHOUT WRITTEN PERMISSION. OWNERSHIP AND COPYRIGHT OF CONEC GmbH			
DO NOT ALTER CAD DRAWING BY HAND			
rev.	description	date	name
a	Origin		

tolerance		dim. in mm
date	name	
drawn	16.04.08	Lehmenkühler
appd.	16.04.08	Mickenbecker
norm		
d-old		

scale:	2:1 (5:1)	
material:	SEE NOTES	
title:	D-SUB FEMALE 90° 37pos. SOLDER PIN ANGLED with threaded insert, metal bracket, snap, hex bolt	
dwg no:	Inventor 10	DIN-A3
	18K2A293	sh: 1
part no:	6STD37SAT99S40X	



