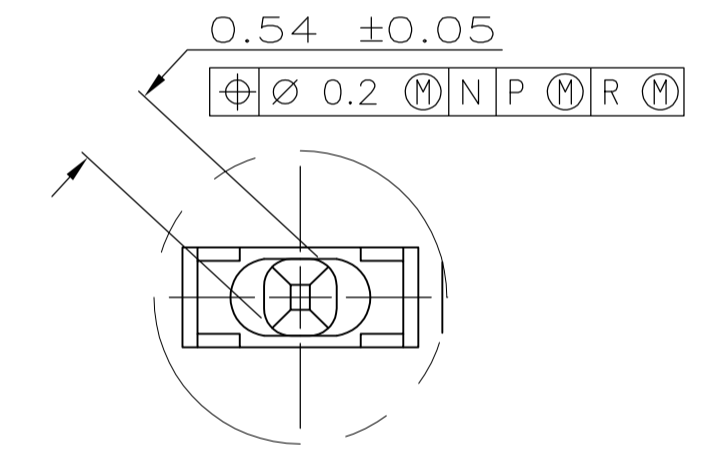
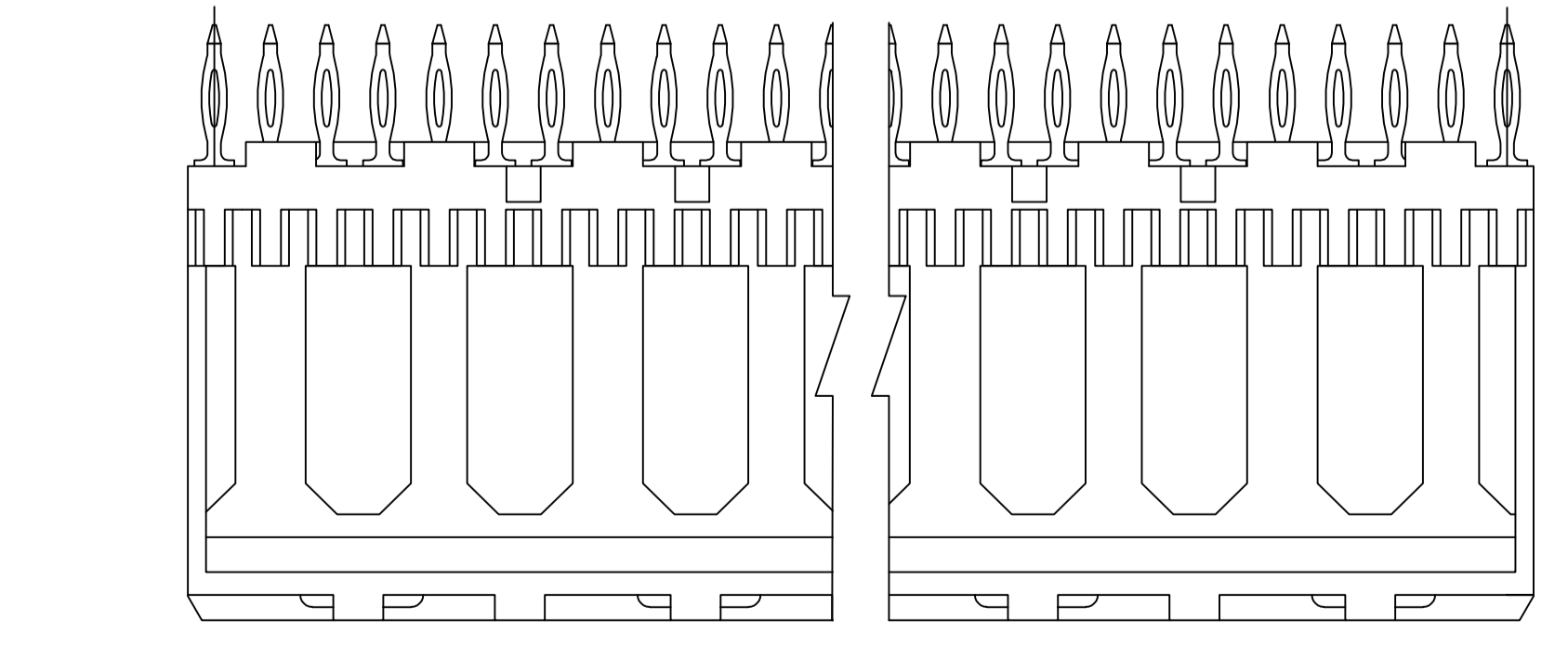
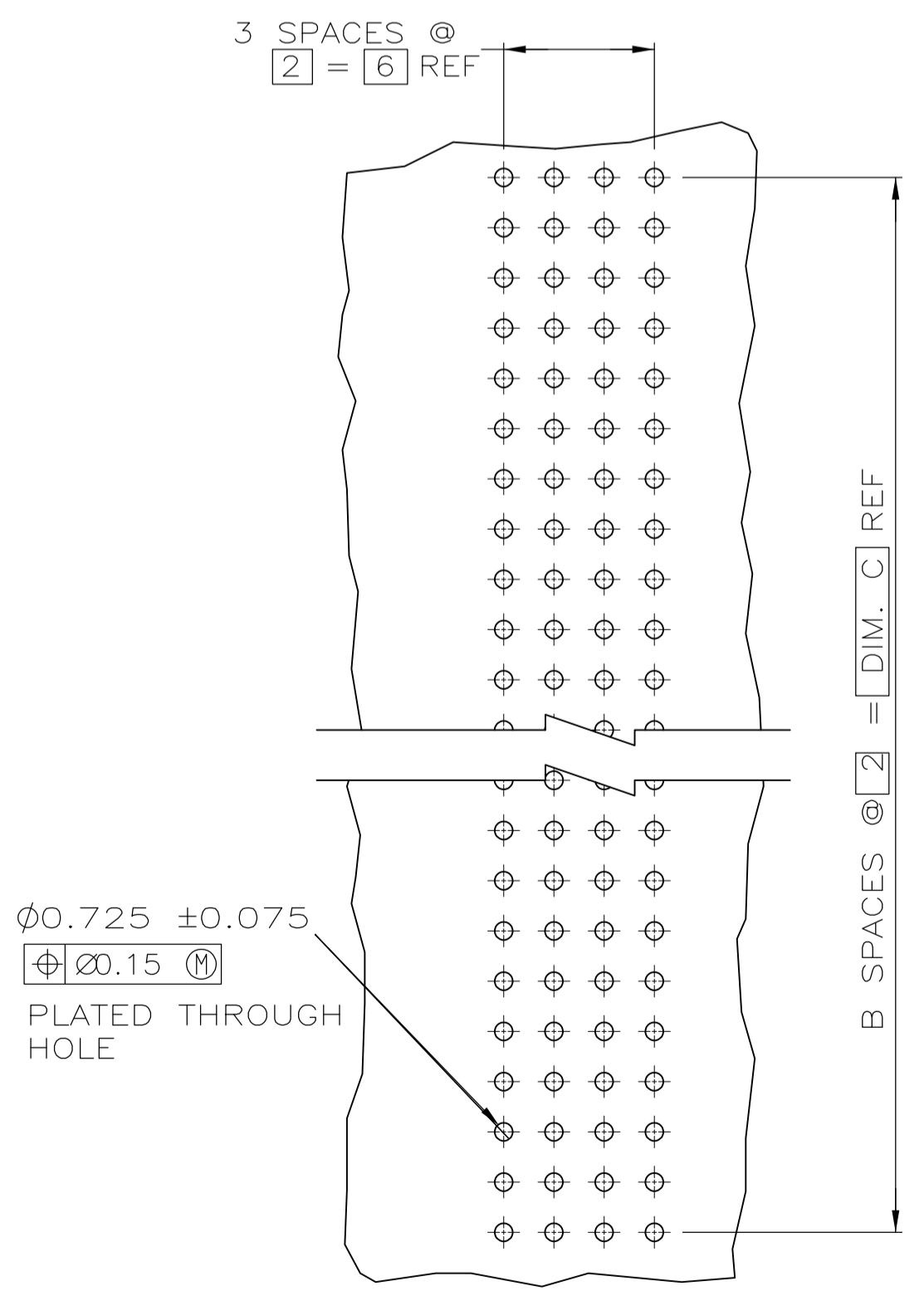
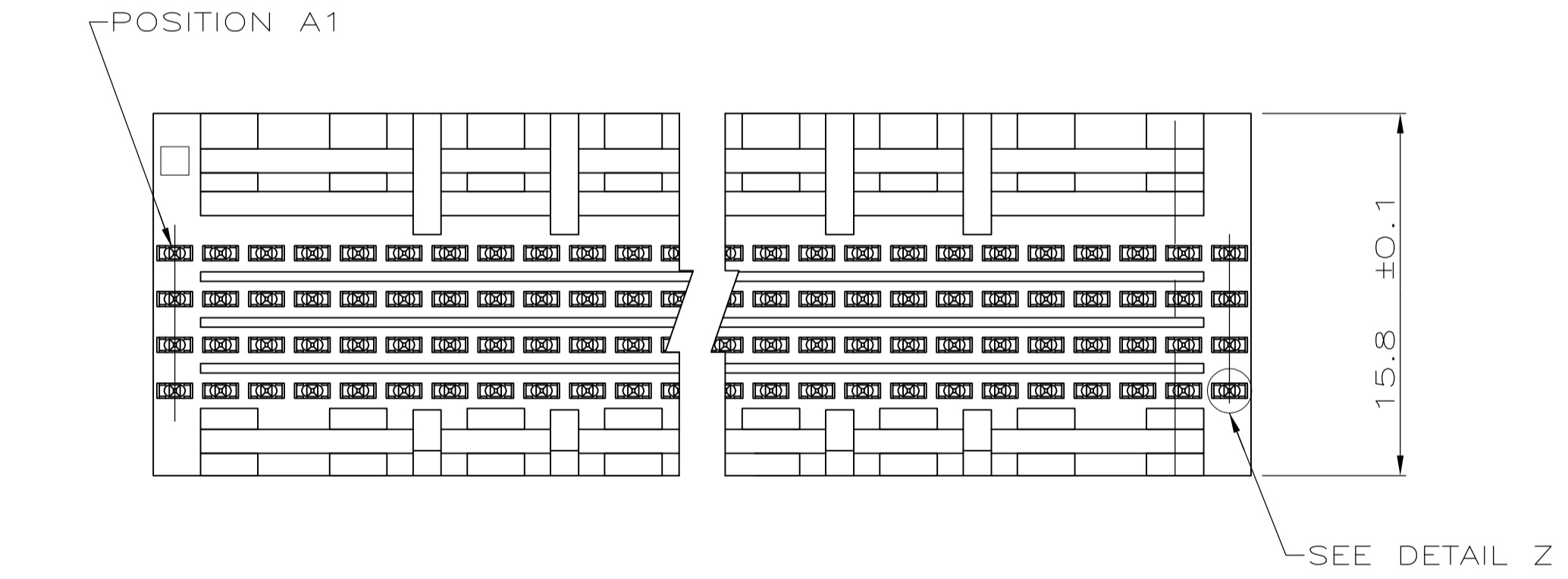


- △ HOUSING MATERIAL: LIQUID CRYSTAL POLYMER PER ASTM D5138 LCP000 G30A 32250, COLOR: NATURAL.
- △ CONTACT MATERIAL: PHOSPHOR BRONZE.
- △ CONTACT FINISH:
 UNDERPLATE (ENTIRE CONTACT):
 0.00127 MIN NICKEL.
 ON MATING SURFACES:
 CONFORMS TO ALL TESTING SPECIFIED FOR TELCORDIA UNCONTROLLED ENVIRONMENT.
 ON LEADS
 0.0006 MIN TIN-LEAD OVER UNDERPLATE.
 LUBRICATION (ENTIRE CONTACT):
 SURFACE CONDITIONER PER AMP SPEC 112-1002 AFTER PLATING.
- △ PART MARKING PER AMP INCORPORATED SPECIFICATION 115-9009, LOCATED APPROXIMATELY AS SHOWN.
- △ DIMENSION APPLIES WHEN SEATED ON PRINTED CIRCUIT BOARD.
- △ OBSOLETE PARTS: OBSOLETE CIS STREAMLINING PER D.RENAUD/D.SINISI



DETAIL Z
SCALE 20:1



RECOMMENDED CIRCUIT PATTERN
PER IPC-D300 TYPE II, CLASS C
(COMPONENT SIDE)

OBSOLETE	4.25	34	17	35.88	△	72	1-536504-2
△	4.25	130	65	131.88	△	264	1-536504-1
OBSOLETE	4.25	106	53	107.88	△	216	1-536504-0
△	4.25	118	59	119.88	△	240	536504-9
OBSOLETE	4.25	70	35	71.88	△	144	536504-8
OBSOLETE	4.25	66	33	67.88	△	136	536504-7
OBSOLETE	4.25	58	29	59.88	△	120	536504-6
△	4.25	82	41	83.88	△	168	536504-5
OBSOLETE	4.25	94	47	95.88	△	192	536504-4
	4.25	46	23	47.88	△	96	536504-3
	4.25	22	11	23.88	△	48	536504-2
OBSOLETE	4.25	10	5	11.88	△	24	536504-1
	D	C	B	A	FINISH	NO OF POSN	PART NUMBER

THIS DRAWING IS A CONTROLLED DOCUMENT.

DRN: D.R.BENDER 10/27/92
 CHK: D.BAECHTLE 02/18/93

NAME: PIN ASSEMBLY, SIGNAL MODULE, Z-PACK 2mm FB, 2mm

PRODUCT SPEC: -
 APPLICATION SPEC: -

SIZE: A1
 CAGE CODE: 00779
 DRAWING NO: 536504

RESTRICTED TO: -

CUSTOMER DRAWING

SCALE: 4:1 SHEET: 1 OF 1 REV: V