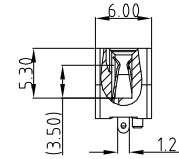
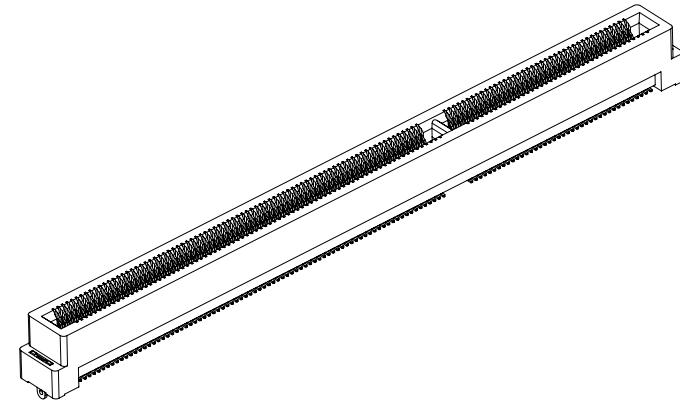
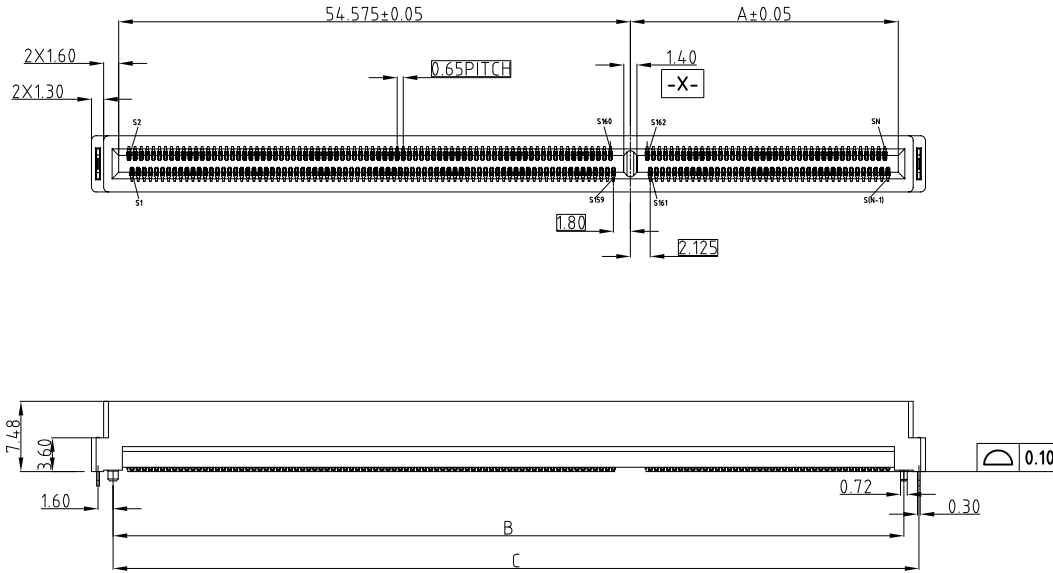


This document is the property of Amphenol Corporation and is delivered on the express condition that it is not to be disclosed, reproduced or used, in whole or in part, for manufacture or sale by anyone other than Amphenol Corporation without its prior consent, & that no right is granted to disclose or to use any information in this document.

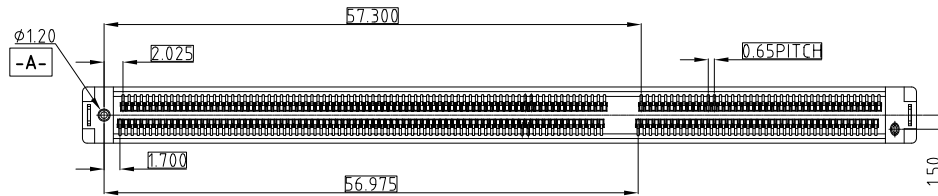
CUSTOMER DRAWING

REVISIONS				
SYM	ECN	DESCRIPTION	DATE	APPROVED
1	CDXXXX	FIRST DRAWING	Nov.16,2017	



PN SYSTEM
SET0XXX2611111 X

- 1 0.76UM Au
- 2 0.38UM Au
- 3 GOLD FLASH
- 4 0.76UM PdNi+GF



- NOTE:
- MATERIAL:
HOUSING: HIGH TEMPERATURE THERMOPLASTIC BLACK UL94-V0
CONTACT: COPPER ALLOY
BOARDLOCK: COPPER ALLOY
 - PLATING:
CONTACT: MATING AREA: SEE PLATING SEPC OVER 1.27-2.54 UM NICKEL UNDERPLATED
SOLDER AREA: 1.27 MIN TIN OVER 1.27-2.54 UM NICKEL UNDERPLATED
BOARDLOCK: 1.27 MIN TIN OVER 1.27-2.54UM NICKEL UNDERPLATED
 - ELECTRICAL PERFORMANCE:
RATED CURRENT FOR SIGNAL PIN: 0.5A/PIN
 - PRODUCT SHALL MEET ALL DIMENSIONS BEFORE EXPOSURE TO 260°C MAX. FOR 10S AND SHALL MEET ALL SELECTED FUNCTIONAL DIMENSION AFTER EXPOSURE TO 260°C MAX. FOR 10S.
 - MATERIAL SHOULD BE FULFILLED AMPHENOL SPEC # SSN002
 - ORDERING PN: REFER TO THE PN SYSTEM



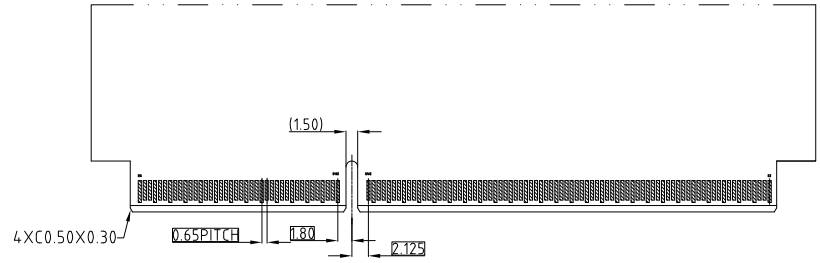
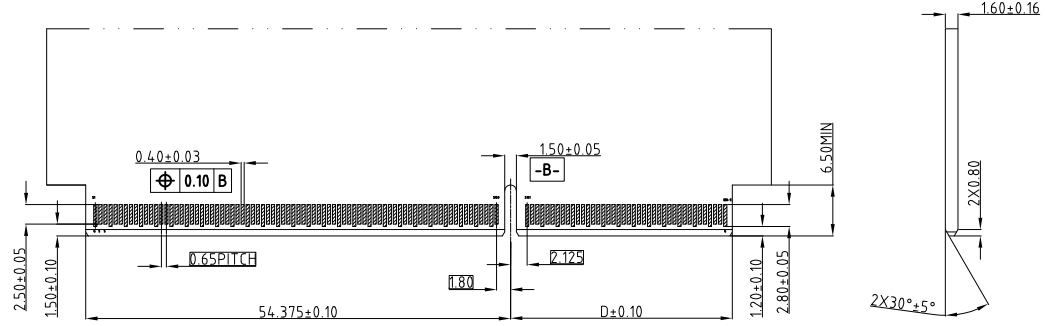
PROPOSAL DRAWING

UNLESS OTHERWISE SPECIFIED TOLERANCES U.S. METRIC X +/- 0.25 .XX +/- 0.20 .XXX +/- 0.15 FRACTIONS +/- ANGLES +/- 5° FOR MATERIALS AND FINISHES SEE NOTES	APPROVAL		DATE	Amphenol		
	DRAWN	MATT	Nov.16,2017			
	CHECKED					
	APPROVED					
REMOVE SHARP EDGES	ANGLE OF PROJECTION		DRAWING FILE :	TITLE		
DIMENSIONS			INTERNAL\DRAWING\CE\C SE10XXX2611111X	Slim Cool Edge Connector 0.65mm Pitch, Vertical		
U.S. INCHES			SCALE	SIZE	DRAWING NO.	REV.
(METRIC) (mm)			NONE	A3	C SE10XXX2611111X	1
			SHEET 1 OF 2			

This document is the property of Amphenol Corporation and is delivered on the express condition that it is not to be disclosed, reproduced or used, in whole or in part, for manufacture or sale by anyone other than Amphenol Corporation without its prior consent, & that no right is granted to disclose or to use any information in this document.

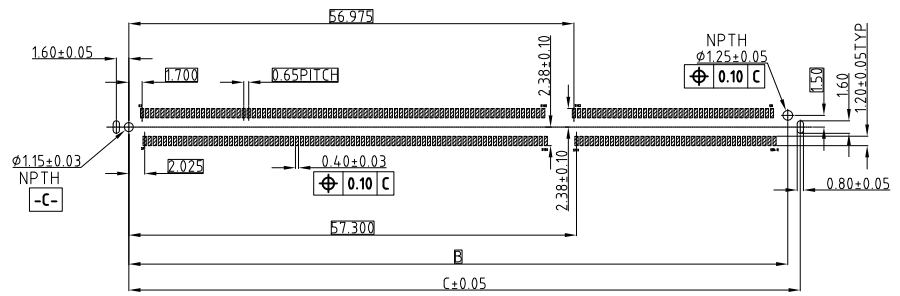
CUSTOMER DRAWING

REVISIONS				
SYM	ECN	DESCRIPTION	DATE	APPROVED
		SEE SHEET 1		



RECOMMEND LAYOUT FOR MATING CARD
GENERAL TOLERANCE ±0.05

N	A	B	C	D
220	22.075	77.850	79.450	21.875
240	28.575	84.350	85.950	28.375
260	35.075	90.850	92.450	34.875
280	41.575	97.350	98.950	41.375



RECOMMEND LAYOUT FOR SOLDER PCB
GENERAL TOLERANCE ±0.05



PROPOSAL DRAWING

UNLESS OTHERWISE SPECIFIED TOLERANCES U.S. METRIC .X +/- 0.25 .XX +/- 0.20 .XXX +/- 0.15 FRACTIONS +/- ANGLES +/- 5° FOR MATERIALS AND FINISHES SEE NOTES	APPROVAL	DATE	Amphenol TITLE Slim Cool Edge Connector 0.65mm Pitch, Vertical	
	DRAWN	MATT		Nov.16,2017
	CHECKED			
	APPROVED			
REMOVE SHARP EDGES	ANGLE OF PROJECTION		SIZE DRAWING NO. REV. A3 C SE10XXX2611111X 1	
DIMENSIONS				
—U.S.— INCHES (METRIC) (mm)				
SCALE		NONE	SHEET 2 OF 2	