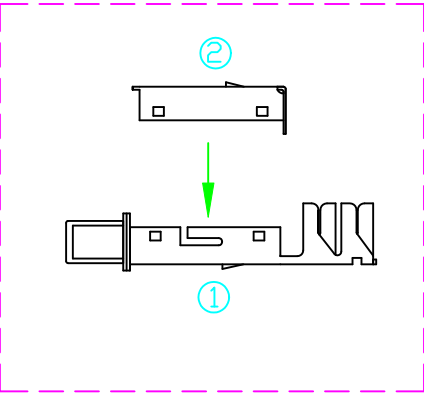


BACKSHELL KIT INCLUDES:

- 1 - BACKSHELL ⑤
- 1 - ALIGNMENT SLEEVE ①
- 1 - COVER ②
- 1 - INSULATOR (FRONT) ③
- 1 - INSULATOR (REAR) ④
- 2 - JACKSCREW ⑥

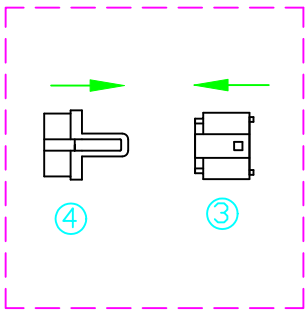
STEP 4

PLACE COVER OVER ALIGNMENT SLEEVE AND PRESS UNTIL LOCKS IN PLACE



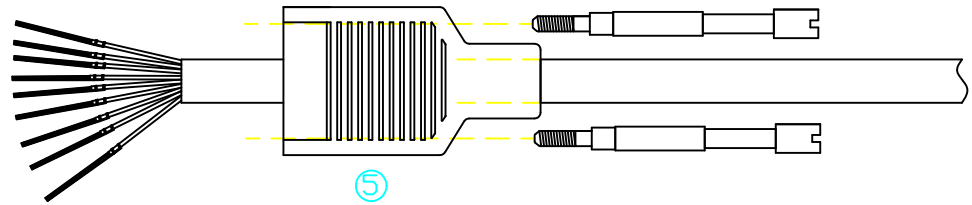
STEP 1

PLACE 2 INSULATOR HALVES TOGETHER UNTIL LOCKED IN PLACE



STEP 2

LOAD CONTACTS INTO INSULATOR



STEP 7

PLACE JACKSCREWS IN BACKSHELL ASSEMBLY



STEP 3

ROTATE ALIGNMENT SLEEVE 90 DEGREES, THEN INSERT INSULATOR

STEP 5

CRIMP STRAIN RELIEF ON ALIGNMENT SLEEVE TO SECURE CABLE

STEP 6

SLIDE BACKSHELL OVER ALIGNMENT SLEEVE

960-YYY-010R01Y

1 = KIT
2 = BULK

009 = 9 POSITION
015 = 15 POSITION
025 = 25 POSITION

DO NOT SCALE FROM DRAWING

RoHS COMPLIANT

	THESE DRAWINGS AND SPECIFICATIONS ARE THE PROPERTY OF NorComp AND SHALL NOT BE REPRODUCED, COPIED OR USED AS THE BASIS FOR THE MANUFACTURE OF SALE OF APPARATUS WITHOUT WRITTEN PERMISSION.		DRAWN: M. SIGMON	DATE: 09-01-11
			CHECKED:	DATE:
NorComp		SCALE: 1 : 1	SHEET 1 OF 1	REV 0
		DWG NO. 960-YYY-010R01Y		