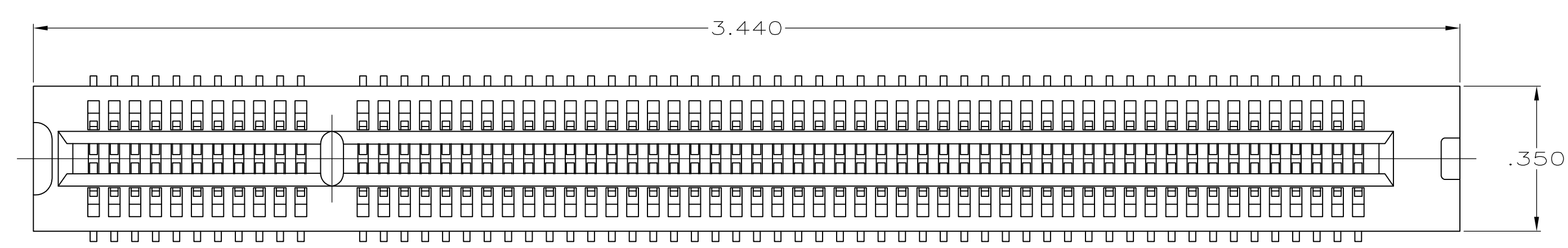
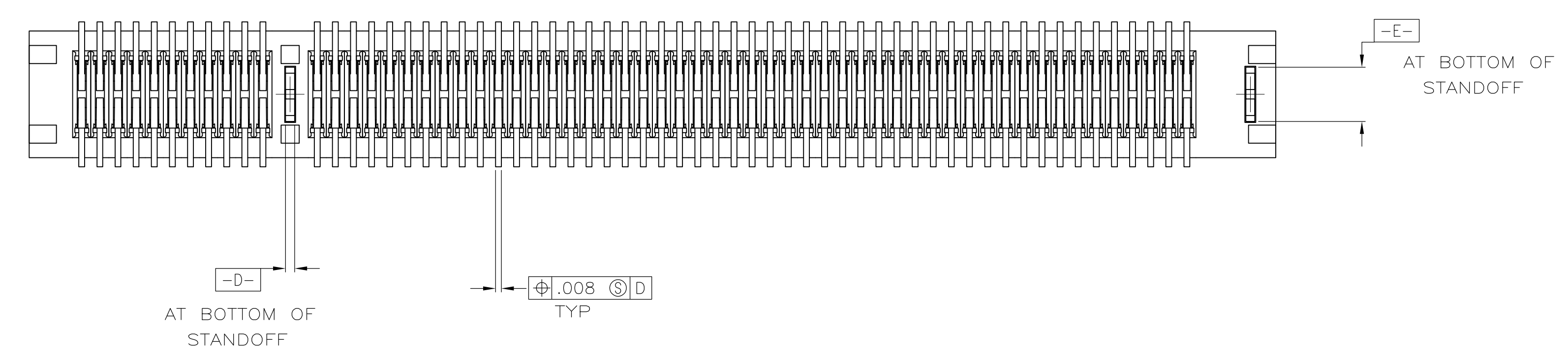
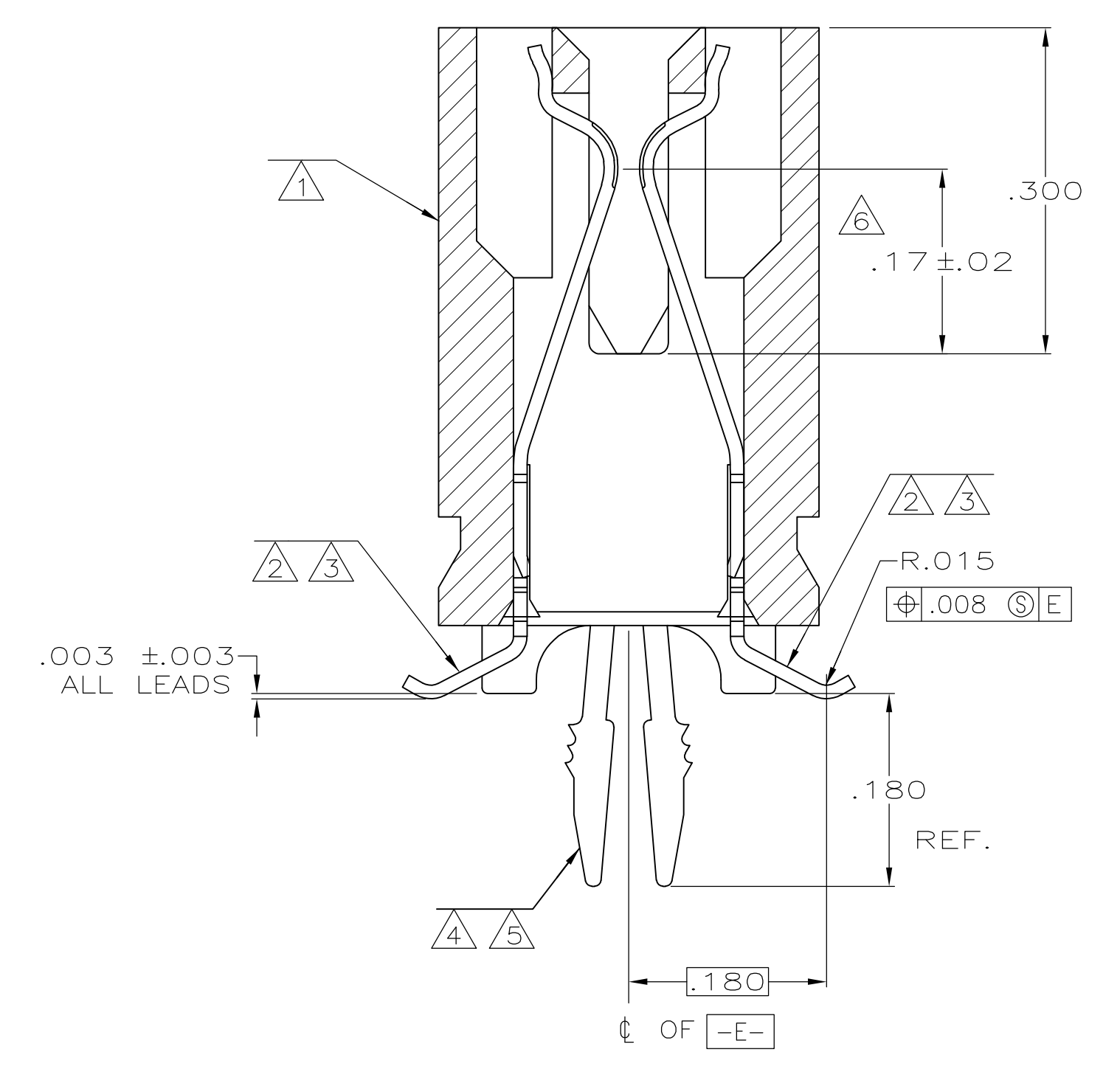
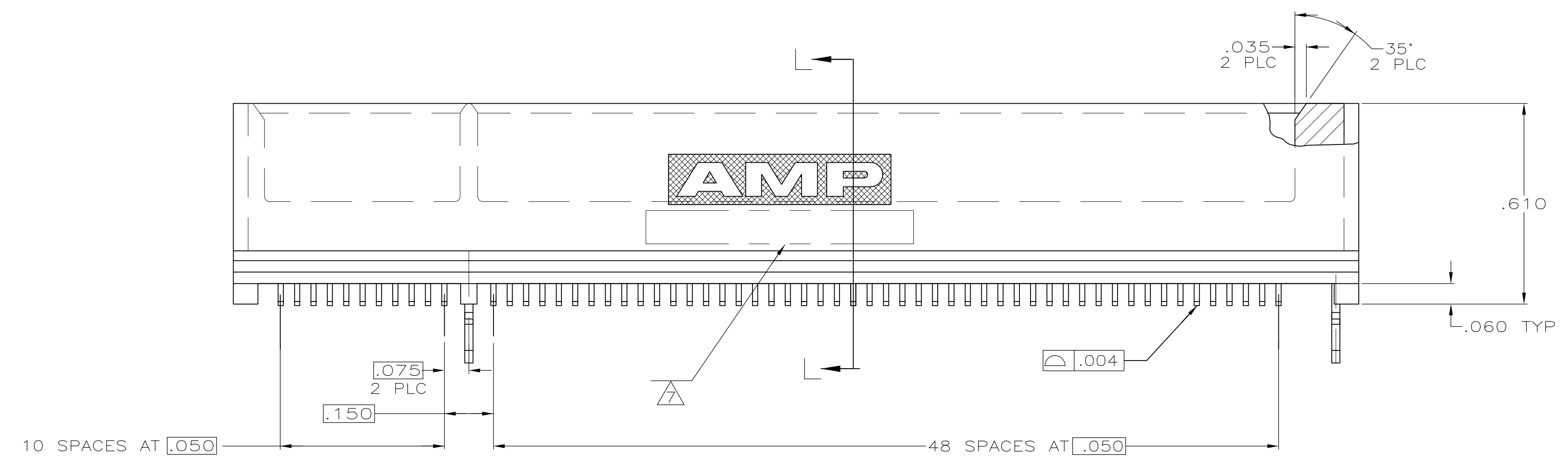


LOC		DIST		REVISIONS			
P	LTR	DESCRIPTION	DATE	OWN	APPD		
GP	00	F1	REVISED PER ECO-11-005033	24MAR11	RK	HMR	



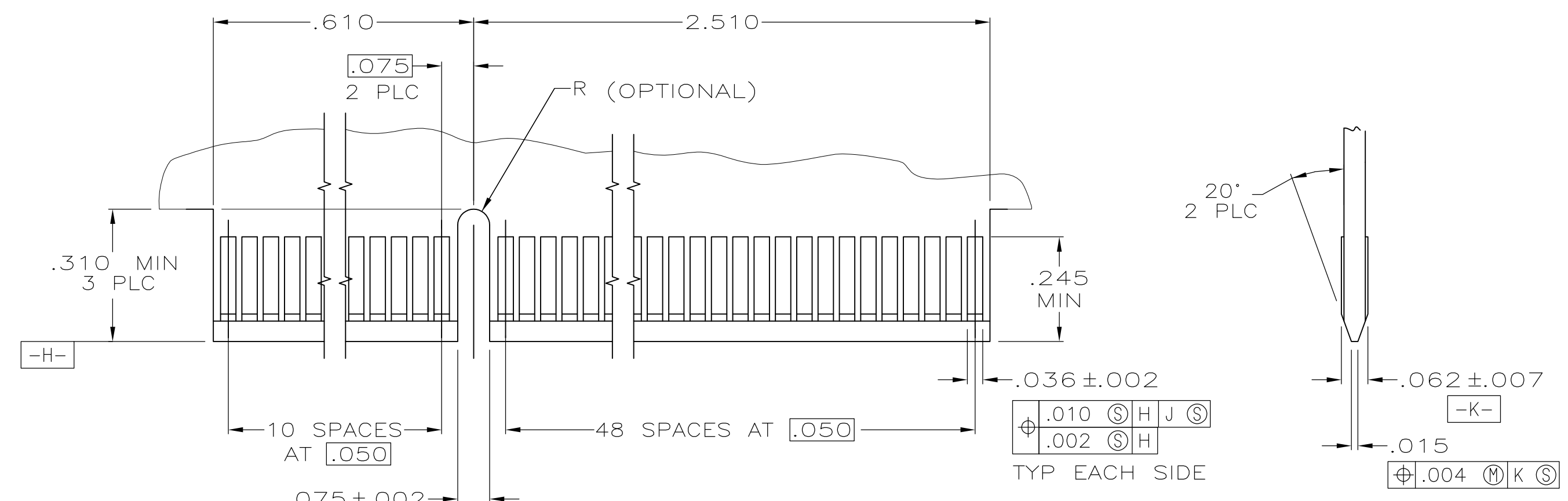
- ① HOUSING: HIGH TEMPERATURE THERMOPLASTIC.
- ② CONTACT: PHOSPHOR BRONZE.
- ③ CONTACT FINISH: .000100 MIN NICKEL ALL OVER. .000030 MIN GOLD OVER NICKEL IN CONTACT AREA. .000100 MIN TIN-LEAD OVER NICKEL ON SOLDER TAILS.
- ④ METAL HOLD DOWN: BRASS
- ⑤ METAL HOLD DOWN FINISH: .000050 MIN NICKEL ALL OVER. .000150 MIN TIN-LEAD ALL OVER.
- ⑥ DISTANCE FROM CONTACT POINT TO BOTTOM OF CARD SLOT.
- ⑦ AMP PART NUMBER, DATE CODE AND CSA LOGO MARKED IN APPROXIMATE AREA SHOWN.



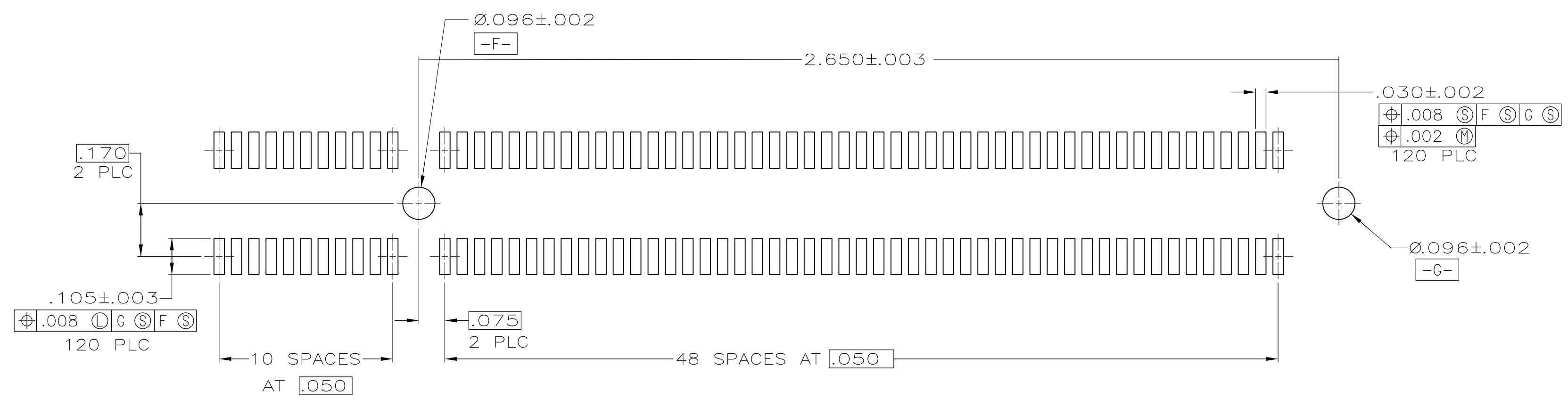
145098-1 AS SHOWN

THIS DRAWING IS A CONTROLLED DOCUMENT.		OWN R BROWN 8/8/94	PART NO	
DIMENSIONS: mm [INCHES]		CHK L SCHMID 8/8/94	STE TE Connectivity	
TOLERANCES UNLESS OTHERWISE SPECIFIED:		APVD L SCHMID 8/8/94	CONNECTOR ASSEMBLY, 60 DUAL POSITION, .050 SERIES, STANDARD EDGE SURFACE MOUNT	
0 PLC ± -	1 PLC ± -	NAME	SIZE	CAGE CODE
2 PLC ± .01	3 PLC ± .005	PRODUCT SPEC	A1	00779
4 PLC ± -	ANGLES ± 2°	APPLICATION SPEC	DRAWING NO	145098
MATERIAL	FINISH	WEIGHT	SCALE	4:1
① ② ③	④ ⑤	CUSTOMER DRAWING	SHEET	1 OF 2
			REV	F1

LOC	DIST	REVISIONS					
GP	00	P	LTR	DESCRIPTION	DATE	DWN	APPR
				SEE SHEET 1			



RECOMMENDED MATING BOARD EDGE CONFIGURATION



RECOMMENDED PC BOARD PATTERN  
(CONNECTOR SIDE SHOWN)

THIS DRAWING IS A CONTROLLED DOCUMENT.		DWN R BROWN 8/8/94	TE Connectivity
		CHK L SCHMID 8/8/94	
DIMENSIONS: mm(INCHES)		APVD L SCHMID 8/8/94	NAME CONNECTOR ASSEMBLY, 60 DUAL POSITION, .050 SERIES, STANDARD EDGE
TOLERANCES UNLESS OTHERWISE SPECIFIED: 0 PLC ± - 1 PLC ± - 2 PLC ± .01 3 PLC ± .005 4 PLC ± - ANGLES ± 2°		PRODUCT SPEC 108-14034	SIZE A1
MATERIAL -		FINISH -	APPLIC. SPEC 114-26012
		WEIGHT -	CAGE CODE 145098
		CUSTOMER DRAWING	RESTRICTED TO -
		SCALE 4:1	SHEET 2 OF 2
			REV F1