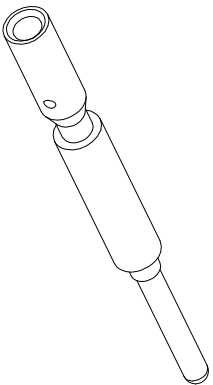
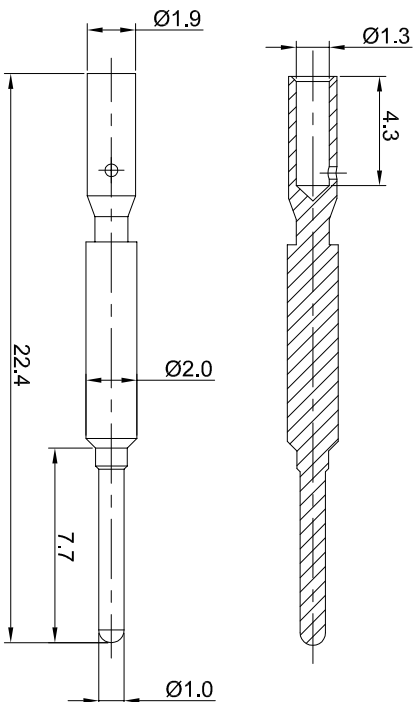


REVISIONS					
REV	ECO	DESCRIPTION	DATE	BY	APPR
B1	-	RELEASE NEW DWG FORMAT	06/16/14	TOD	TOMMY
B2	-	UPDTAED SPECIFICATION	09/14/15	TOD	TOMMY



- NOTES: UNLESS OTHERWISE SPECIFIED
1. MATERIAL: COPPER ALLOY, GOLD PLATED
 2. SPECIFICATIONS:
 - 2.1 RATED CURRENT: 10 AMPS
 - 2.2 CONTACT RESISTANCE: <5 milliohm
 - 2.3 AVAILABLE WIRE RANGE: 22AWG~18AWG
 - 2.4 ROHS COMPLIANT
 3. ALL DIMENSIONS ARE FOR REFERENCE USE ONLY.

QUANTITY	SEE PART NUMBER CHART	PART NUMBER	DESCRIPTION	ITEM
MATERIALS LIST				
UNLESS OTHERWISE SPECIFIED 1) All dimensions are in millimeters. 2) Tolerances are as follows: 1 Pl. DEC 20.030 Fractions 1/164 2 Pl. DEC 20.030 Fractions 1/164 3 Pl. DEC 20.030 Fractions 1/164 3) Note reference = MATERIAL SPECIFICATIONS:		SIGNATURES DATE DRAWN: tod 09/14/15 CHECKED: ENGINEER: APPROVAL:		
PROCESS SPECIFICATIONS: NEXT ASSY:		CUSTOMER: Pin contact, 20#, Chimp 22-18AWG THE DRAWING IS SUPPLIED FOR INFORMATION ONLY. DESIGN FEATURES, SPECIFICATIONS AND PERFORMANCE DATA ARE THE PROPERTY OF AMPHENOL. ALL RIGHTS OF REPRODUCTION ARE RESERVED. ALL MANUFACTURING VARIATIONS.		
MATERIAL SPECIFICATIONS:		SIZE: B TYPE: C- SCALE: NONE		
MATERIAL SPECIFICATIONS:		DWG NO: SC000035 REVISION: B2		
MATERIAL SPECIFICATIONS:		SHEET 1 OF 1		

Amphenol

Sine Systems - www.amphenol-sine.com
44724 Model Drive
Clifton Township, MI 48036

Pin contact, 20#, Chimp 22-18AWG

SC000035

B2

1 OF 1