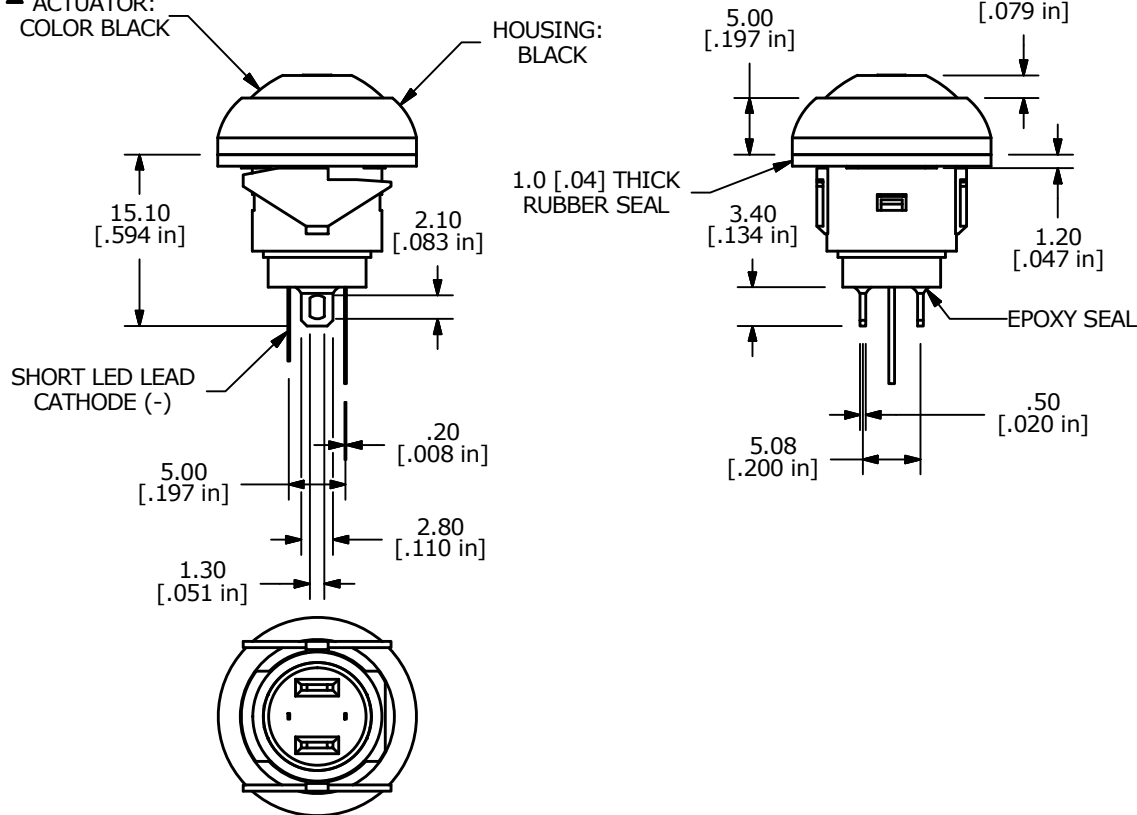


LED PARAMETER	FORWARD CURRENT	FORWARD VOLTAGE @ 20mA	LUMINOUS INTENSITY
UNITS	mA	V	mcd
YELLOW	20	2.1 - 2.6	100

▲ **ACTUATOR: COLOR BLACK**

HOUSING: BLACK



- NOTE:**
- ALL DIMENSIONS IN MM [INCH]
 - GENERAL TOLERANCE: X.X=±0.4
X.XX=±0.25
 - TERMINAL NUMBERS FOR REF ONLY
 - CIRCUIT: SPST OFF-MOMENTARY ON
 - CONTACT MATERIAL: Gold over SILVER
 - RATING: 125mA @ 125 VAC
100mA @ 50 VDC
 - ELECTRIC LIFE: 500,000 CYCLES AT FULL LOAD
 - CONTACT RESISTANCE: 50 milli-OHM max. (INITIAL)
 - INSULATION RESISTANCE: 1,000 MEGA-OHM min. @ 500VDC.
 - DIELECTRIC STRENGTH: 1,000 VAC rms.
 - OPERATING FORCE: 350 gf +/- 150 gf
 - OPERATING TEMPERATURE: -30°C TO +85°C.
 - CONTACT BOUNCE: 10ms MAX.
 - TRAVEL: 1.5mm
 - PANEL THICKNESS RANGE: 1.5 - 4.0 mm.
 - ▲ DENOTES CRITICAL PARAMETER.
 - 2011/65/EU (ROHS) COMPLIANT
 - HARDWARE INCLUDED:
 - T081100 RUBBER SEAL (1)
 - SEAL RATING: IP67 AT THE FRONT PANEL



E	22443	ADDED BOTTOM VIEW	8/12/16	MJR
D	21595	CHANGE NOTE 19: IP67 WAS IP65	9/25/14	EBP
REV	PCR NO	DESCRIPTION	DATE	BY

TITLE RP8100B1M1CEBLKBLKYEL				
SCALE	DATE	DR	DWG	REV
3:2	4/24/2009	BLR	ST081042	E

THE INFORMATION CONTAINED IN THIS DOCUMENT IS PROPRIETARY TO E-SWITCH AND IS NOT TO BE COPIED OR TRANSFERRED