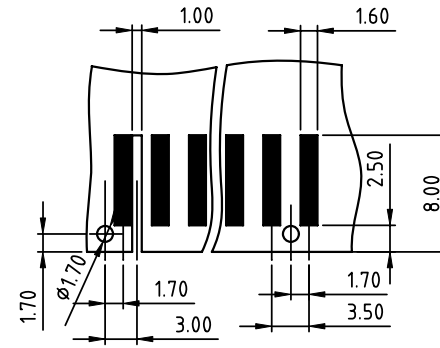
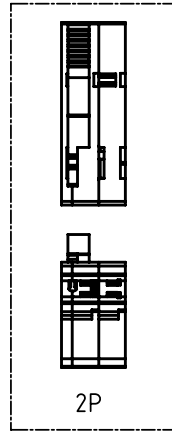
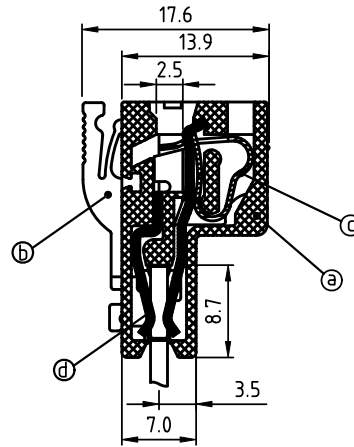
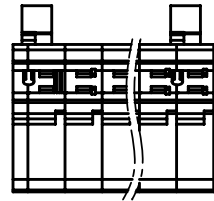
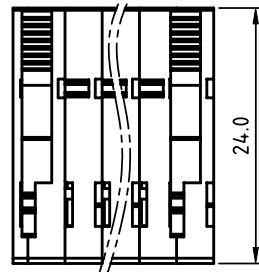
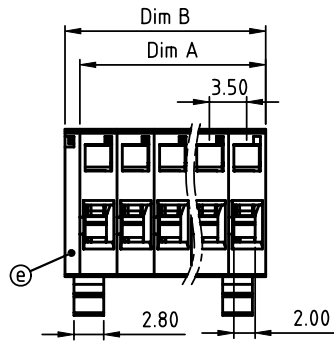


PRODUCT NUMBER	PITCH
NDxx10x000J0G	3.50 mm



RECOMMENDED P.C.B LAYOUT
TOP VIEW

Material:

- Item (a) Insulator (Body): Thermoplastic (UL94V-0)
- Item (b) Insulator (Lever): Thermoplastic (UL94V-0) Orange (RAL2001/P)
- Item (c) Spring clamp: Stainless Steel
- Item (d) Female Contact: PhBz(CuSn), Tin plated
- Item (e) Insulator (Cover): Thermoplastic (UL94V-0)

Electrical cULus

- Voltage rating: 300VAC
- Current rating: 8A
- Solid wire(AWG): 16-26
- Stranded wire(AWG): 16-26
- Wire strip length: 7-8mm
- Withstanding Voltage: 1.6KV
- Size of the PCB: 1.6±0.2mm
- Operating temperature: -40°C to +115°C

Dim A=N×3.5
Dim B=N×3.5+1.4

N=Number of poles

POLES	Tolerance
2p-6p	±0.15
7p-12p	±0.20
13p-18p	±0.30
19p-24p	±0.35

PART NO.: ND xx 1 0 x 0 00J0 G

End stackable	No. of poles	Color	RoHS compliant (lead<4% In copper Alloy)
0	2	Black (RAL9005)	
02	2 poles	Red (RAL3001/D)	
03	3 poles	Orange(RAL2011/P)	
4	5	Yellow(RAL1018/A)	
5	5	Green(RAL6018/T)	
6	6	Blue (RAL5015/A)	
8	8	Grey(RAL7035/D)	
9	9	White(RAL1102)	
C	24 poles	Green(RAL6018/U)	

mat'l. code		surface ASME Y14.5	tolerance ASME Y14.5	projection	product family TERMINAL BLOCK
ltr	ecn no	dr	date	 MM	title TERMINAL BLOCK SPRING CLAMP,PCB CONNECTOR,PLUGGABLE PLUG
tolerances unless otherwise specified					
angles		X.±0.5			dwg no NDxx10x000J0G sheet 1 of 1 size A4
X°±1'		X.XX±0.1			
dr	ENGR	ENGR	APPD		
EVIN ZHONG	EVIN ZHONG	HANKE FENG	SHI JUN		
052014	052014	052014	052014	type CUSTOMER Drawing	
sheet index	revision sheet	A 1			